

KONNER

2024



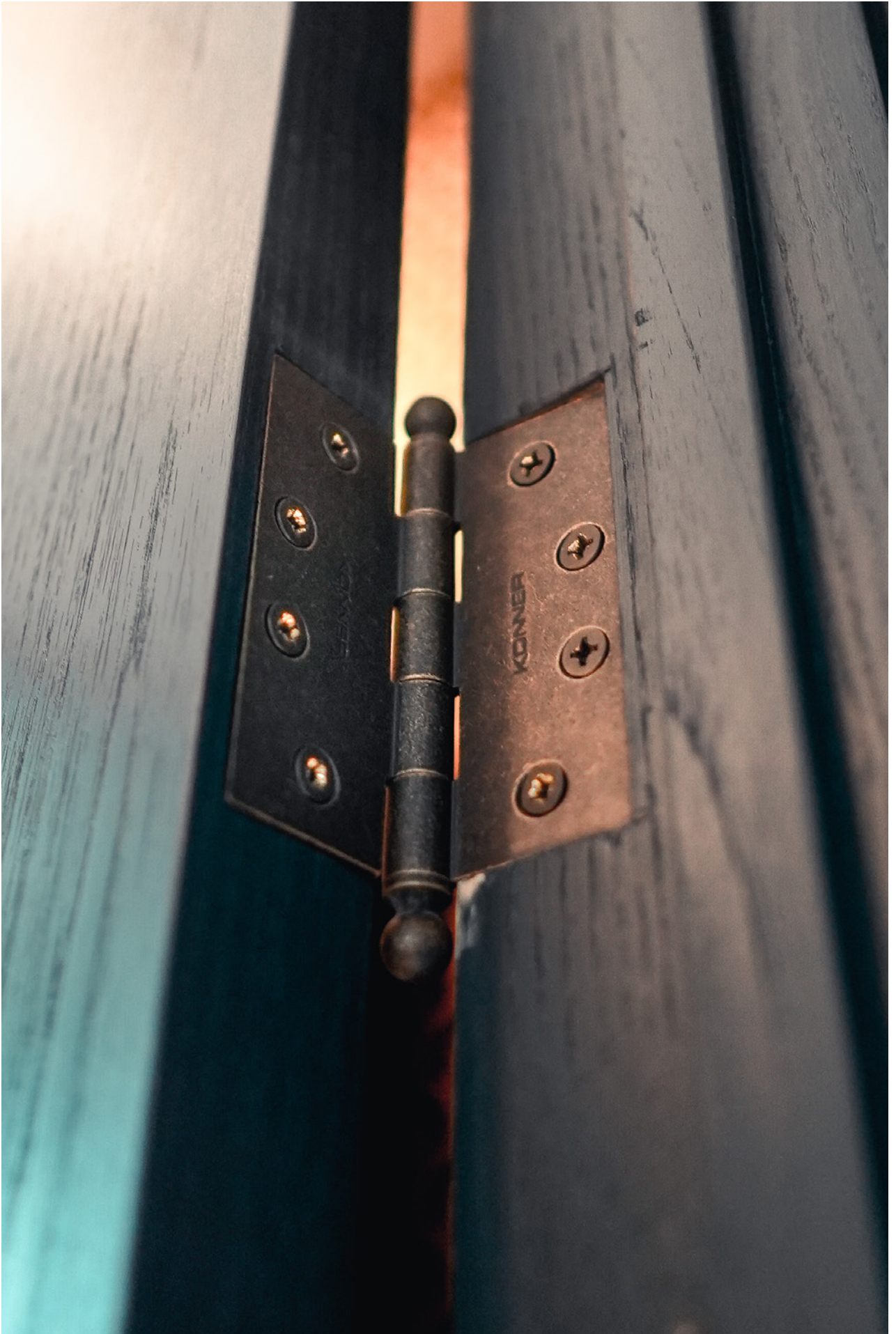
Konner Precision stands at the crossroads of architectural needs and artistic vision. It's more than just a brand; it's a philosophy that redefines the essence of door hardware. The Konner collection offers architects and designers not just the assurance of durability but a harmonious blend of design and functionality.





DESIGNED BY CONSULTANTS,
DELIVERED BY KONNER PRECISION





Unified Elegance

Forget mismatched hardware. Konner elevates your designs with a symphony of color. Black, Umber, Brass, Satin - each element plays in perfect harmony, transforming your doors into a stunning visual masterpiece. It's not just an entryway; it's a signature statement of unified elegance.

Legacy of Durability

Doors experience more than just greetings. They endure an onslaught of slams, whispers, and hurried goodbyes. Konner stands strong, crafted to withstand 200,000 cycles of daily life. This isn't just quality; it's a legacy built to last for generations, a silent guardian that whispers, "Come in, stay awhile."

The Essence of Value

Konner believes beautiful design shouldn't break the bank. That's why we offer consistent pricing across all colors, freeing you to create without financial constraints. Imagine: no more agonizing over budgets. Just pure design unleashed, where every choice feels within reach. The possibilities, like your creativity, are boundless.





KONNER

STEALTH

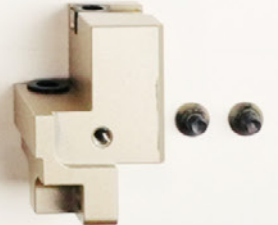


CONFIDE IN DETAILS

Silent sentinels,
guardians of hidden
doorways.









The art of disappearing: hinges that whisper, not shout.

Stealth isn't just about hiding in plain sight. Every element, from the impeccably crafted finish to the meticulously engineered hinge pin, is a testament to uncompromising quality and exquisite detail.





Every finish, one price.
Design without limits.



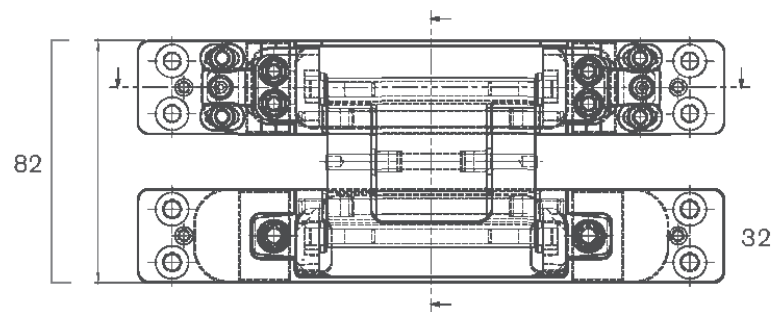
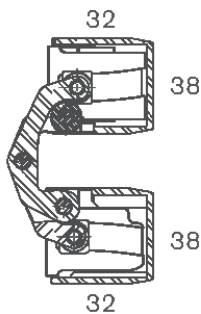
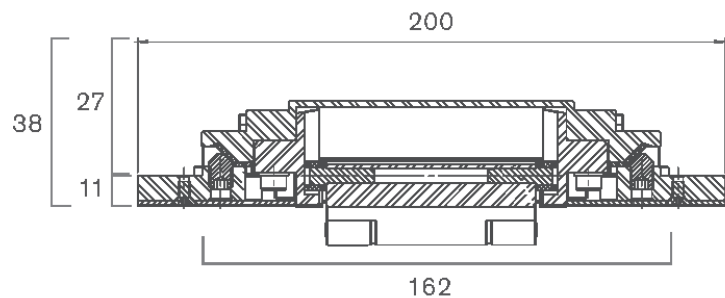
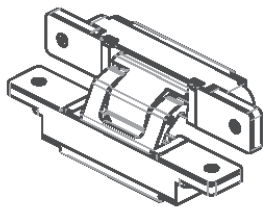
CONFIDE IN DETAILS





TECHNICAL SPECIFICATIONS

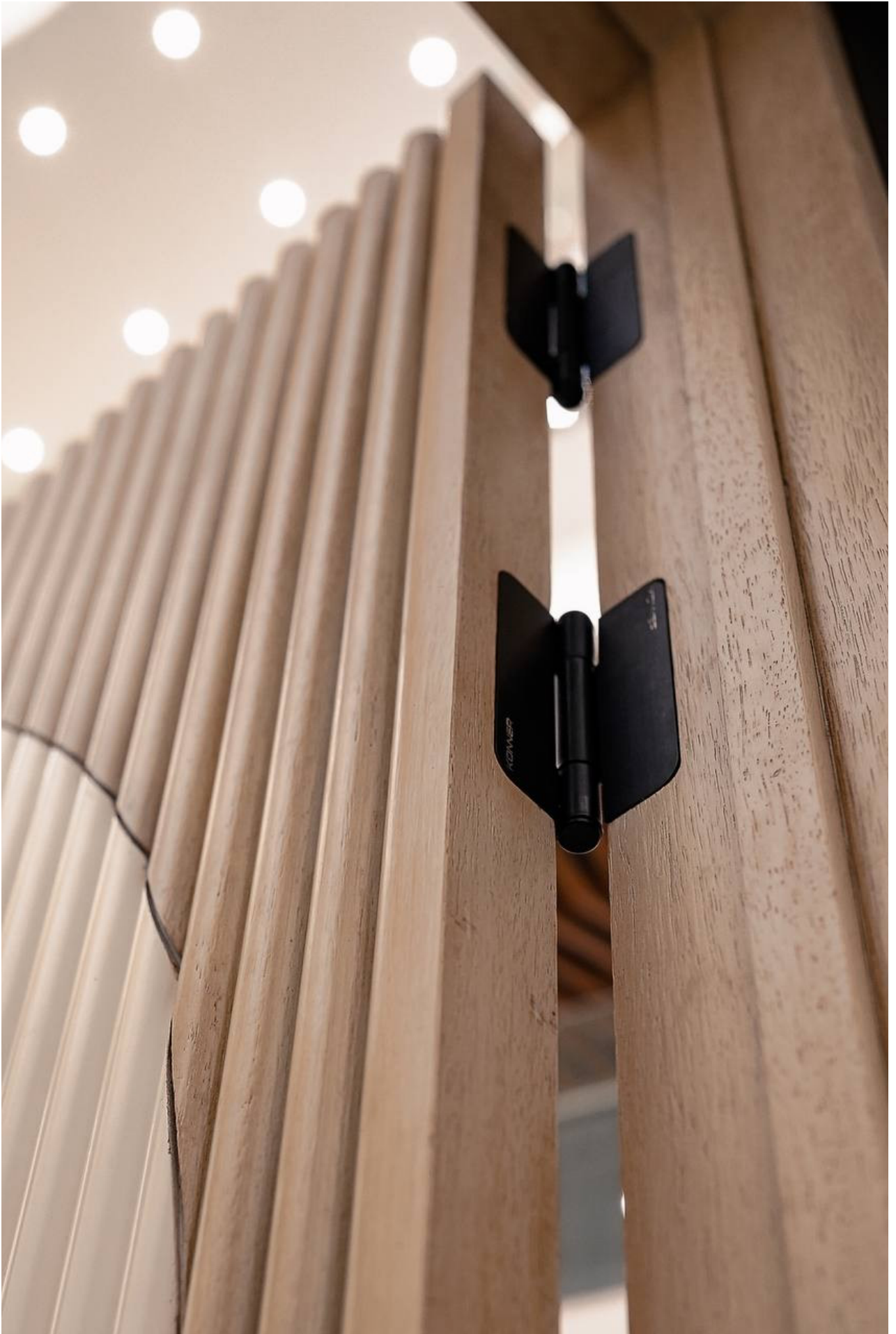
		Stealth 100	Stealth 150	Stealth 300
Load Capacity	:	100 kg	150 kg	300 kg
Length	:	190 mm	200 mm	280/260 mm
Width	:	34/32 mm	32 mm	32 mm
Thickness	:	28 mm	38 mm	41.5 mm
Minimal Door Thickness	:	45 mm	45 mm	45 mm
Opening Angle	:			
Composition	:	Aluminium		
Finishing	:	Matt Black, Gold Satin, Titanium Grey, Dark Brown		

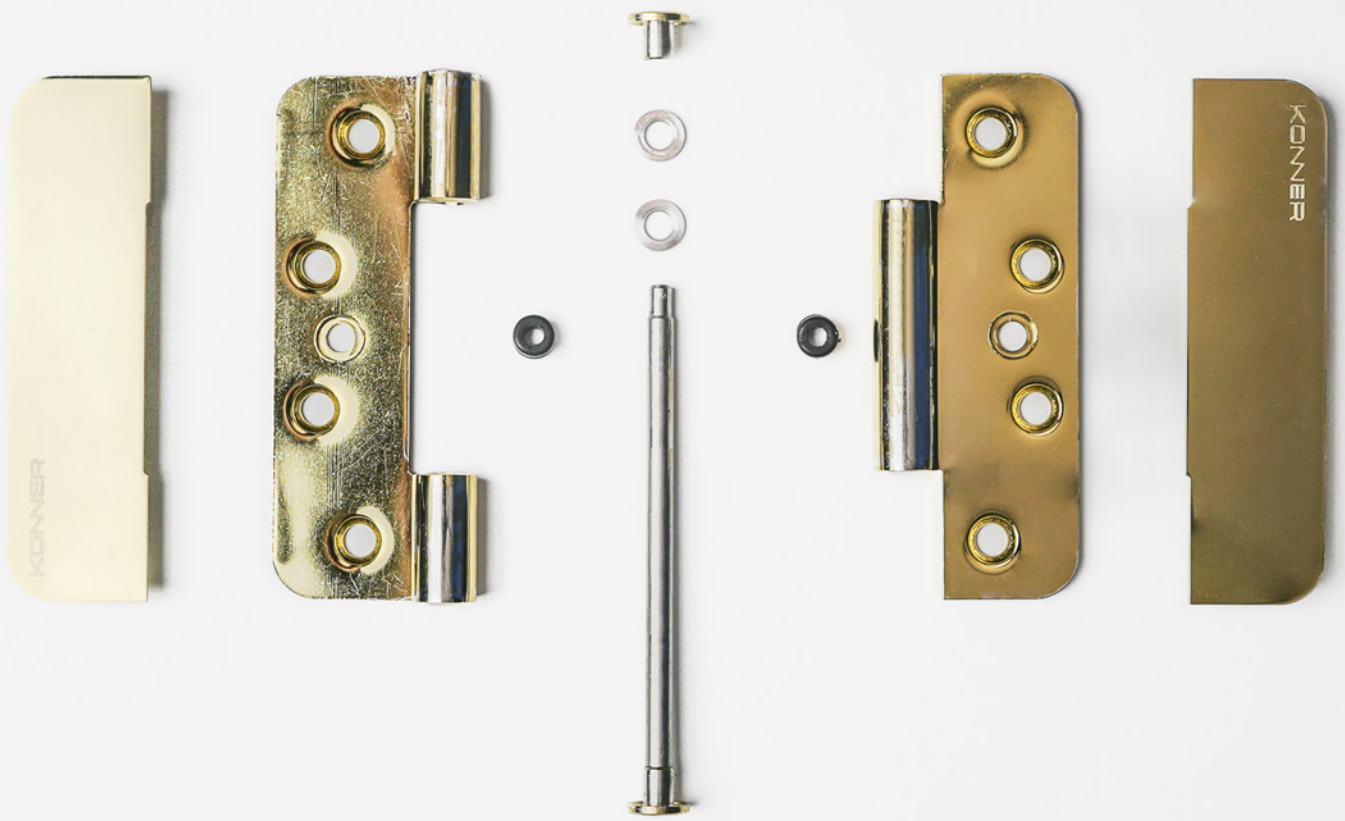


KONNER
TITAN

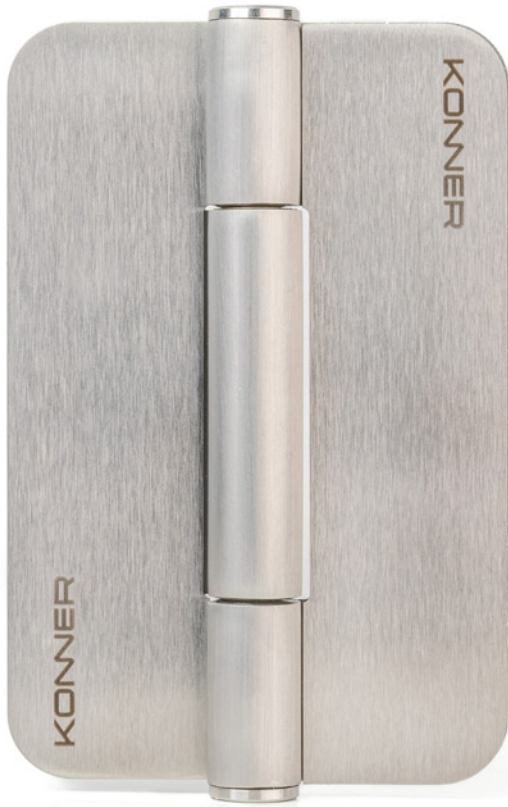


Heavy doors, harsh
environments?
Titan's playground.
Design without limits.





Gravity? Who's that?
Titan laughs at 160kg.



Open Doors to Endless Possibilities:

With the arrival of Satin Nickel and Satin Gold, Konner invites you to express your design vision with even greater freedom. Mix and match, create bold statements, or let the finishes blend seamlessly into your space. They're here to complement your every whim, whispering possibilities with every touch.





Keeping your haven
safe, from inside out.

Konner Titan isn't just a hinge, it's a silent guardian. Its sleek form hides a fire protector, a special core that expands 20 times its size, sealing your haven for 60 precious minutes against smoke and flames. Forget harsh environments, Titan laughs in their face. From salty breeze to scorching sun, Konner stands strong, whispering peace of mind with every swing. It's a promise of enduring beauty and unwavering protection, your haven's first line of defense. Open your doors with confidence, Konner Titan keeps watch, saying, "Here, you are safe."



CONFIDE IN DETAILS



TECHNICAL SPECIFICATIONS

Load Capacity : 180 kg

Length : 114.3 mm

Width : 76.2 mm

Thickness : 63 mm

Minimal Door Thickness : 38 mm

Opening Angle : 180°

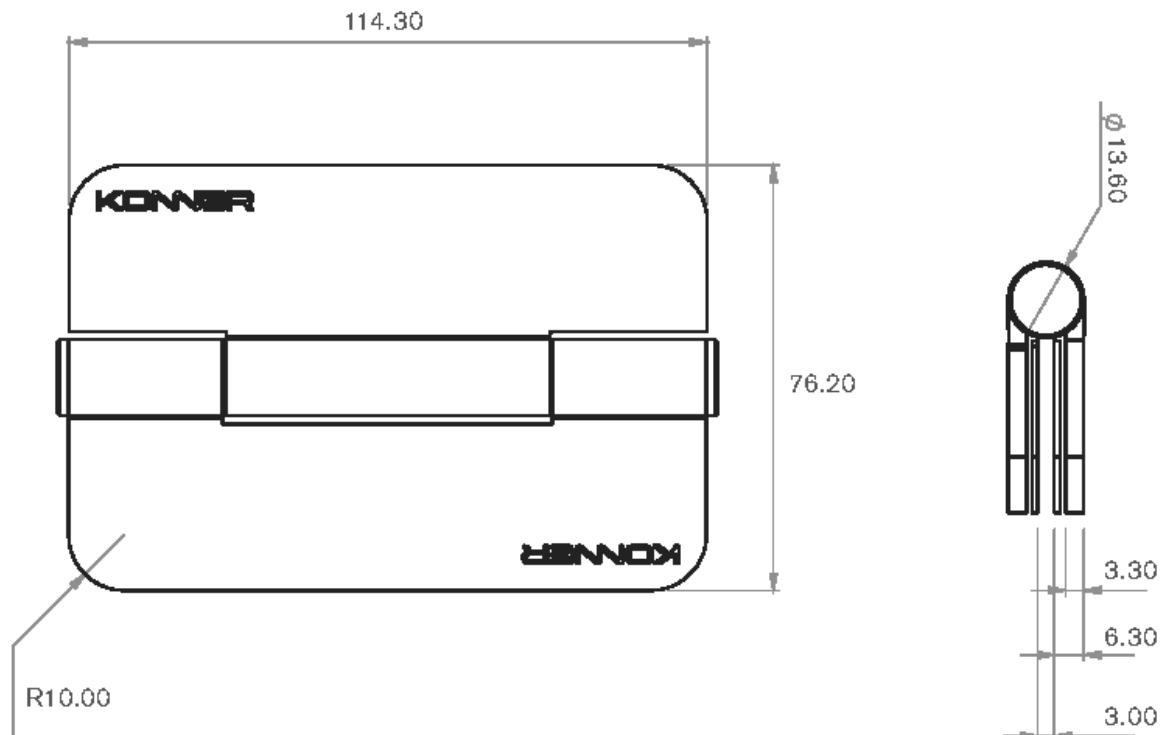
Composition : Stainless Steel 316

Finishing : Dark Brown

Black

Gold Polished

Brass Polished



KONNER

Cold Steel



KONNER
Cold Steel



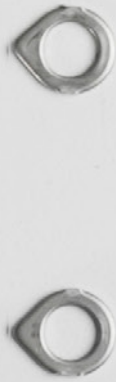
SEAMLESS STRENGTH, ADVANCED LOAD-BEARING,
MAINTENANCE-FREE



CONFIDE IN DETAILS

Made with Stainless Steel in UK, Cold Steel are designed to enhance the overall look of door hardware. The bearing arrangement in Cold Steel account for both vertical and lateral loads up to 120kg. In conjunction with the various color finishings, cold steel deliver unrivalled performance on both beauty and functionality.









Konner Cold Steel features advanced load-bearing technology for smooth, maintenance-free operation, supporting doors seamlessly through countless cycles without the need for ball bearings or oil.

TECHNICAL SPECIFICATIONS

Load Capacity : 120 kg

Length : 101 mm

Width : 74 mm

Thickness : 3 mm

Minimal Door Thickness : 36 mm

Opening Angle : 180°

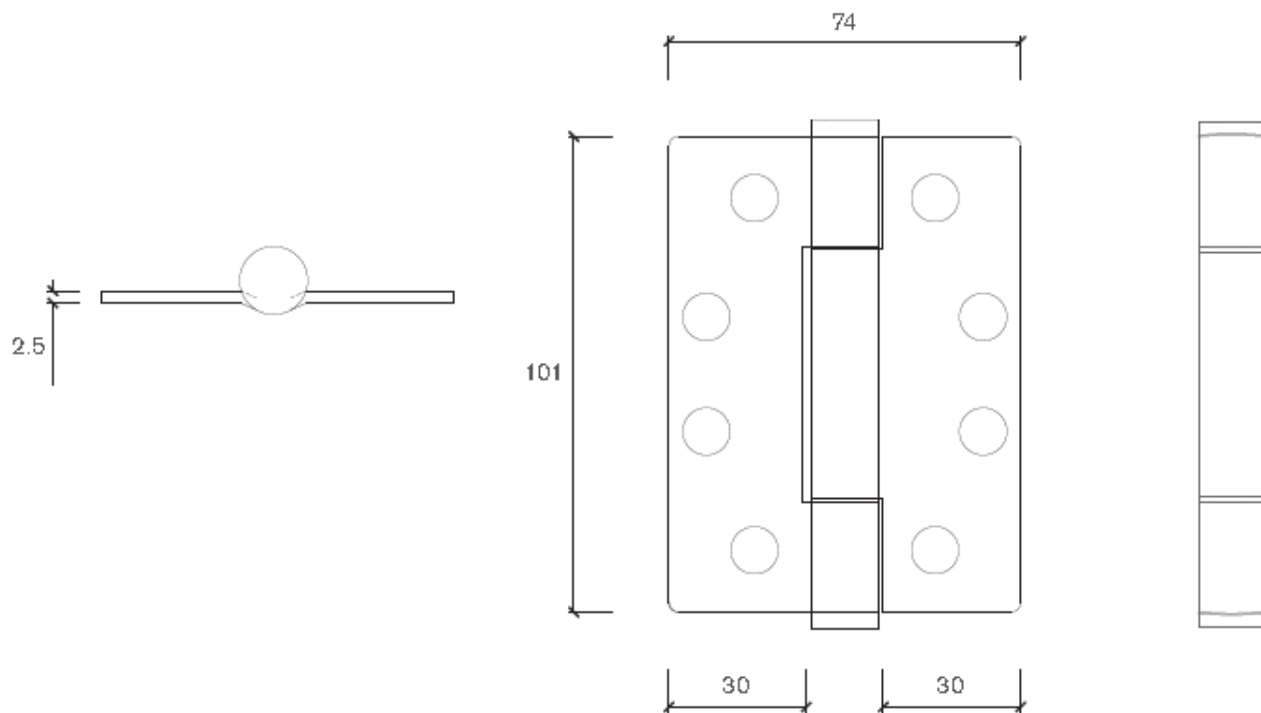
Composition : Stainless Steel 304

Finishing : Dark Brown

Black

Gold Polished

Brass Polished



KONNER
athena





CLASSIC FORM OF
GRANDEUR AND
FUNCTIONALITY.



CONFIDE IN DETAILS





There are times where art takes a forefoot, ahead of hardware. The audacity to make a bold statement. Crafted not as a support of the design philosophy, but a philosophy itself. Yet philosophy does not give way to quality. CNC processing ensures a highly precise and seamless finishing, and completed with adjustable ball bearings.

A Bold Statement in Design

The journey of Konner began with a singular, yet profound request from a designer: "Can all the door hardware exhibit a unified tone?" This simple question sparked a revolution. The result? A meticulously crafted palette of colors – Black, Umber, Brass, Satin – each in perfect harmony with hinges, locks, bolts, handles, latches, and cylinders. Imagine a door, not just as an entryway, but as a testament to singular tonal beauty.

The Philosophy Behind Athena

Each Athena hinge is a masterpiece, born from the audacity to blend functionality with aesthetic boldness. This series is crafted not just to complement the design but to be an integral part of the artistic expression of any space.

Precision Engineering and Seamless Finishing

Precision is key in Athena's creation. Utilizing advanced CNC processing, we achieve a level of precision and seamless finishing that transcends the need for traditional ball bearings. The result is a hinge that is not only a visual triumph but also a pinnacle of functionality and durability.

A Fusion of Quality and Aesthetics

Konner Athena stands as a testament to the belief that in the world of design, quality should never be compromised for style. Here, every hinge is an ode to the philosophy that when art takes the forefront, the hardware should rise to meet it.



TECHNICAL SPECIFICATIONS

Load Capacity : 120 kg

Length : 102 mm

Width : 37.5 mm

Thickness : 3 mm

Minimal Door Thickness : 38 mm

Opening Angle : 180°

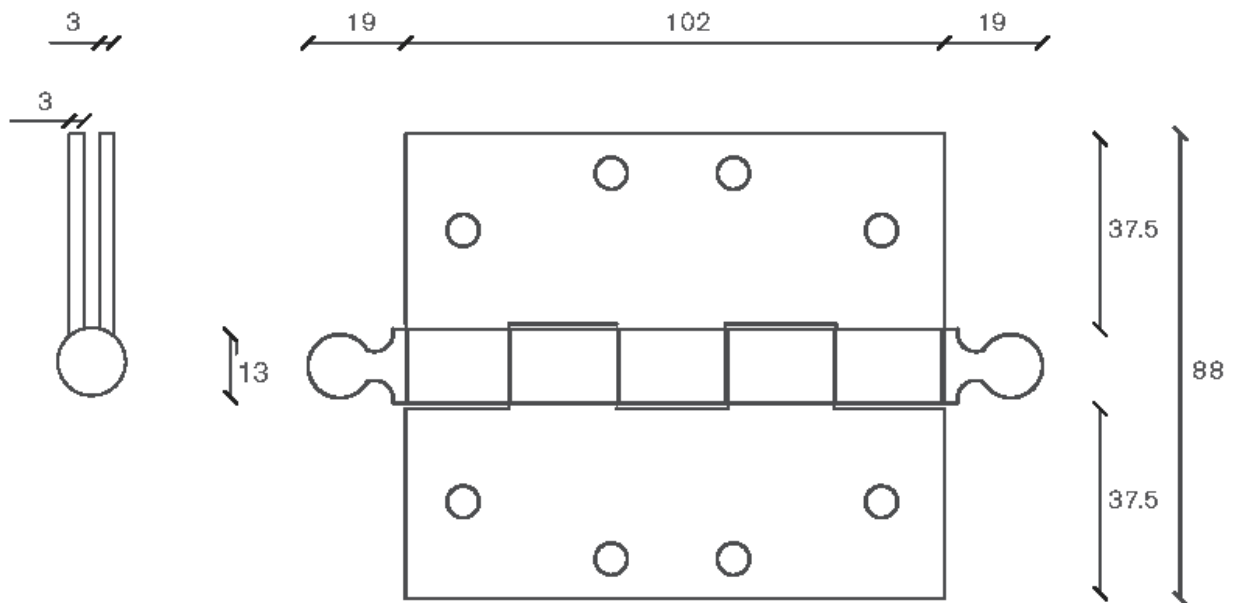
Composition : Brass

Finishing : Nickel Satin

Gold Satin Nickel

Antique Distressed Black

Satin Distressed



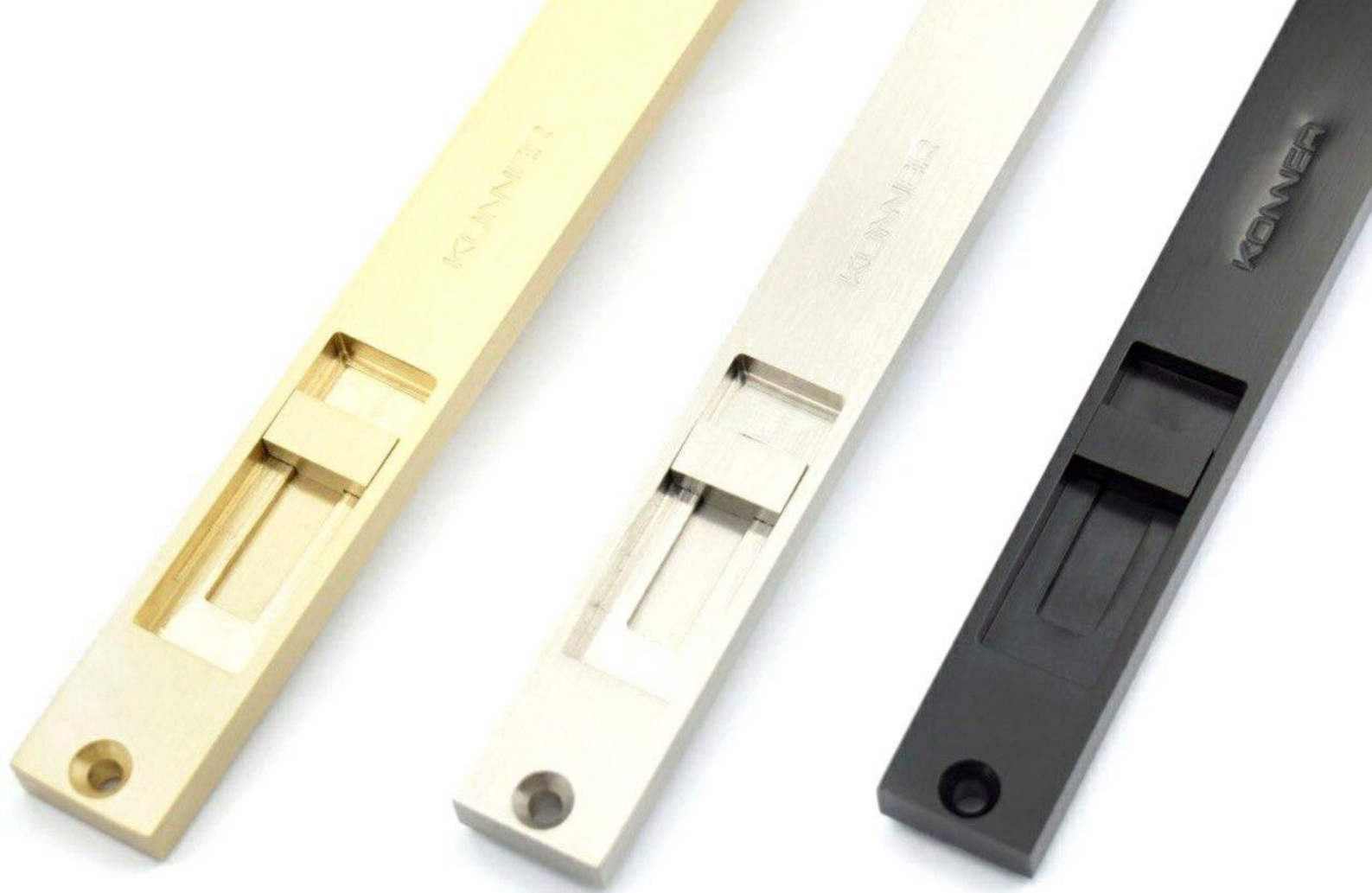
KONNER
BÖLT

DOORS CRAVE SILENCE,
DOORS CRAVE KONNER BOLT.



CONFIDE IN DETAILS





Konner Bolt isn't just hardware, it's a manifesto. Crafted from a single block of brass, sculpted by CNC precision down to the nanometer, it rewrites the rules of what a flushbolt can be. We didn't just refine, we reimagined. Every throw, every edge, whispers a story of relentless pursuit of perfection.

Konner Bolt isn't built to meet expectations, it's built to transcend them. It's the new benchmark, the quiet champion that pushes the boundaries of what's possible. Forget clunky eyesores, embrace a masterpiece of hidden power. This isn't just a flushbolt, it's a silent testament to the art of precision.

KONNER
BÖLT



STERLING

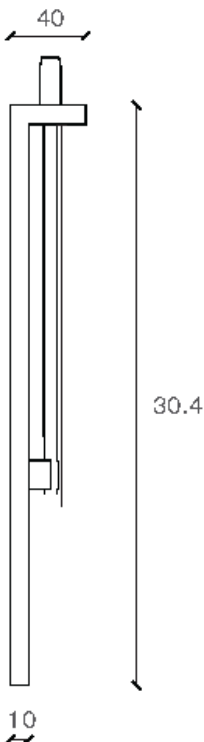
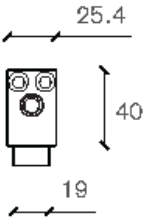
WWW.KONNERPRECISION.COM



CONFIDE IN DETAILS

TECHNICAL SPECIFICATIONS

	Bolt 300	Bolt 1000
Length :	300 mm	1000 mm
Width :	25.4 mm	25.4 mm
Throw Length :	25.4 mm	25.4 mm
Throw Diameter :	11 mm	11 mm
Composition :	Brass	Brass
Finishing :	Black, Nickel, Brass	Black, Nickel, Brass






BOLT.
THE ELEGANT
ANSWER TO
PASSIVE DOOR
CONTROL.

KONNER
AXON



CONFIDE IN DETAILS



SMOOTH CLOSURE
PIVOT, WITHOUT THE
HYDRAULICS.



Eliminate the bulk with no floor plates. The Axon is pivot system that stands out with its refined, noiseless function and zero upkeep. It's more than a pivot; it's simplicity perfected for your environment.

Ideal for interior panels, concealed doors, or any passageways desiring maintenance-free elegance.



BOTTOM PIVOT

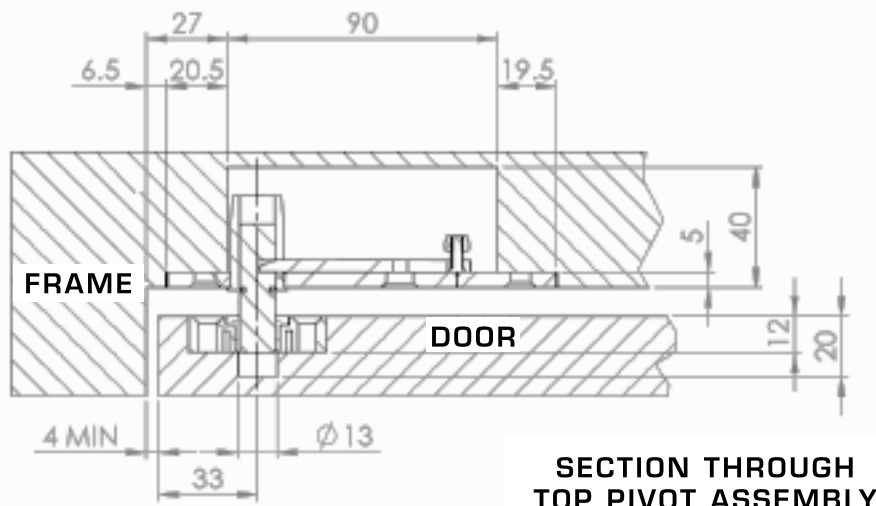


TOP PIVOT

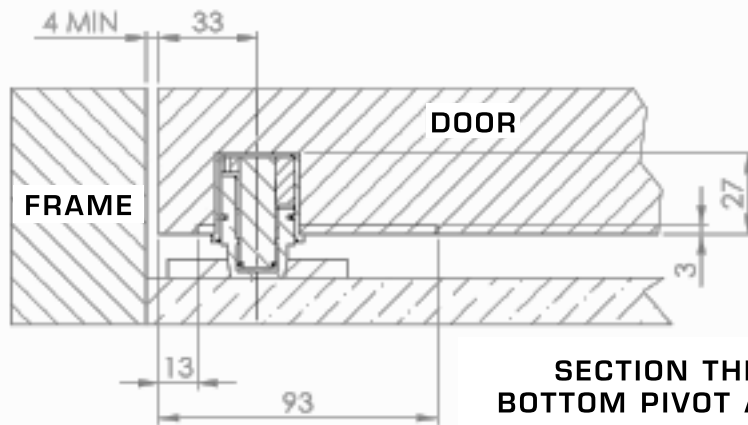


Key Features:

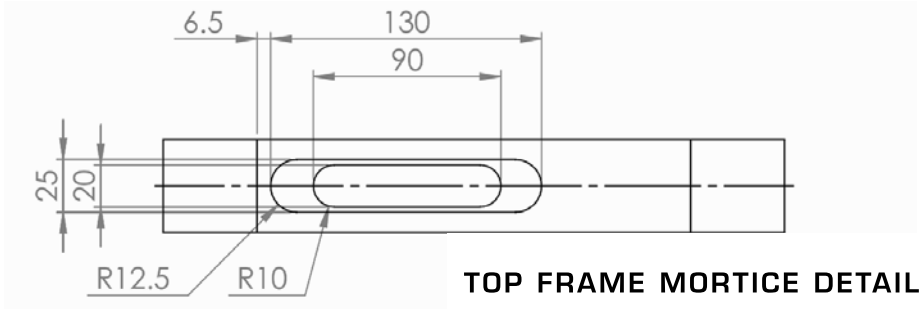
- ✔ **2-Way Swing:**
The Axon ensures doors close on their own, offering convenience and reliability, and hydraulics free!
- ✔ **Durable Stainless Steel:**
Made with top-grade 304 stainless steel for a lasting, modern look.
- ✔ **Versatile for Various Doors:**
Fits internal doors of many sizes, supporting 60kg to 120kg and up to 1000mm in width.
- ✔ **Easy to Install:**
Its low profile floor plate means quick, hassle-free installation.
- ✔ **Protected Against Wear:**
The sealed bearings keep out dirt, ensuring smooth operation for years.
- ✔ **All-in-One Package:**
Comes with all necessary components for a complete setup.
- ✔ **Tailored to Your Needs:**
Set the resting position to suit your preferences for a personalized touch.



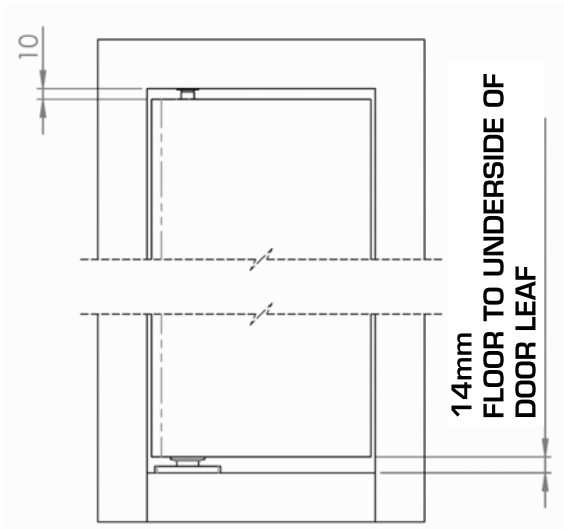
**SECTION THROUGH
TOP PIVOT ASSEMBLY**



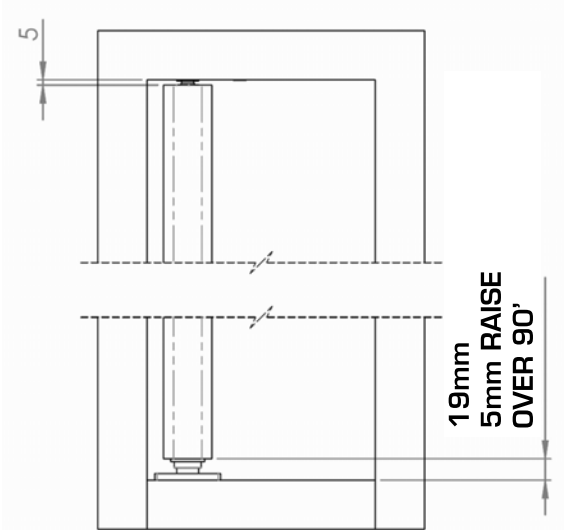
**SECTION THROUGH
BOTTOM PIVOT ASSEMBLY**



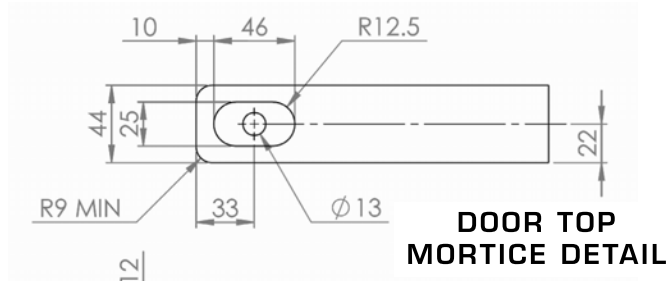
TOP FRAME MORTICE DETAIL



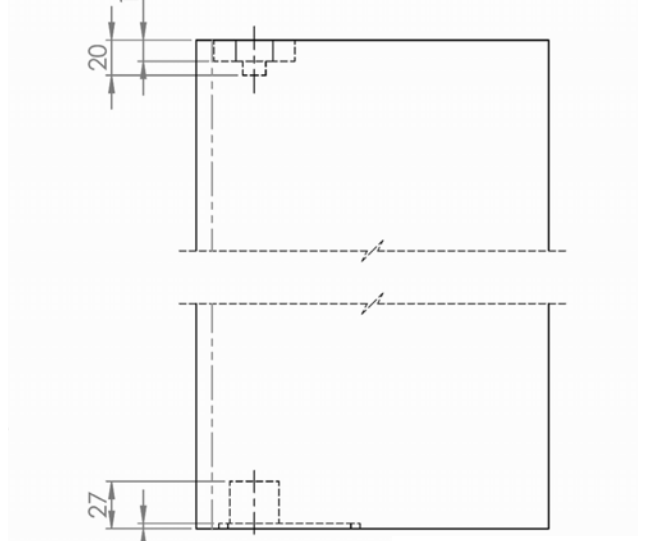
ELEVATION - DOOR LEAF CLOSED



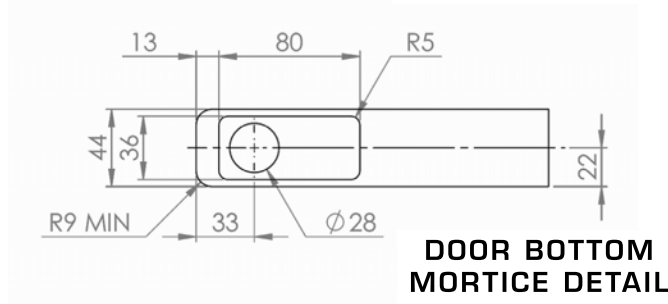
ELEVATION - DOOR LEAF OPEN



DOOR TOP MORTICE DETAIL



DOOR ELEVATION



DOOR BOTTOM MORTICE DETAIL

KONNER
MAGNETA





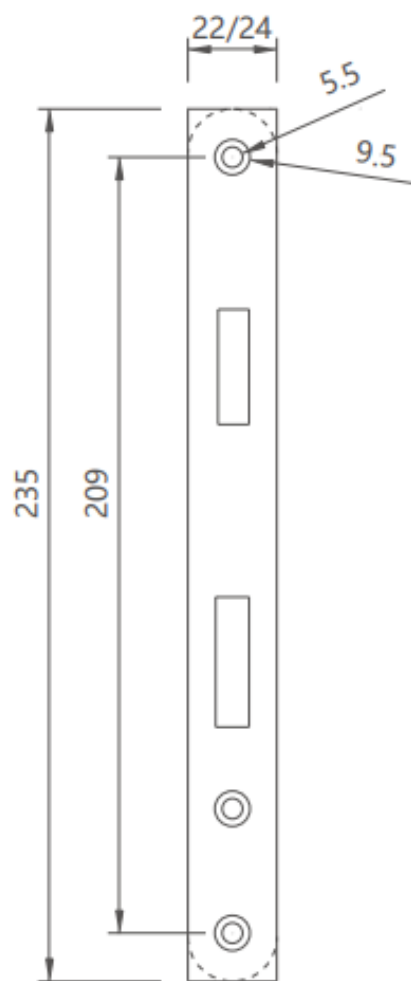
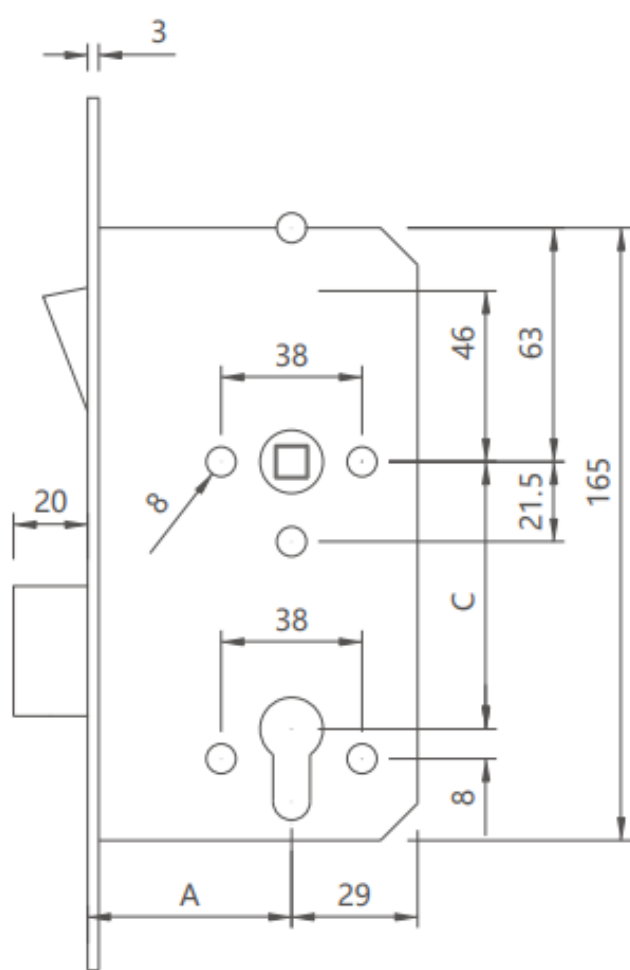
SILENCE AT WORK





Discover the cutting-edge Konner Magneta, a magnetic latch locking system transforming the way doors are secured, both indoors and outdoors. Its pioneering magnetic technology offers a secure, silent operation that eradicates the familiar noise of traditional latches. The result is a whisper-quiet closure, setting a new standard in door locking efficiency.





KONNER







OUT OF SIGHT, DOORS STAY RIGHT.

Meet the Konner Poma: a discreet, concealed magnetic doorstop designed for internal swing doors. This elegant solution provides a safe, trip-free environment and protects your walls and doors from damage.

The Konner Poma is the ideal choice for anyone needing a hidden, efficient doorstop solution.

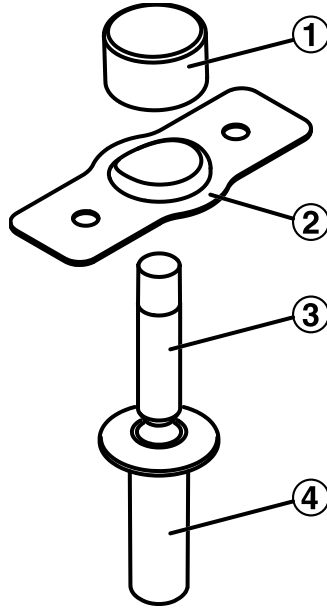


Key Features:

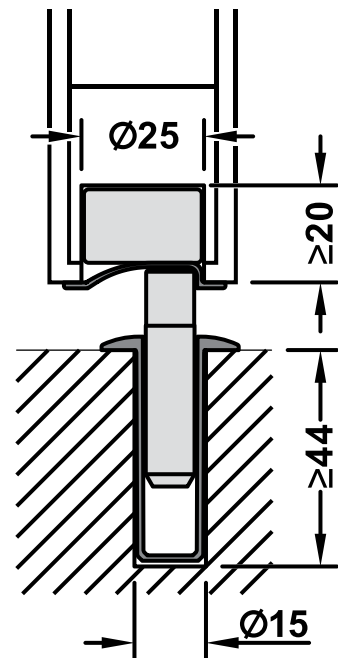
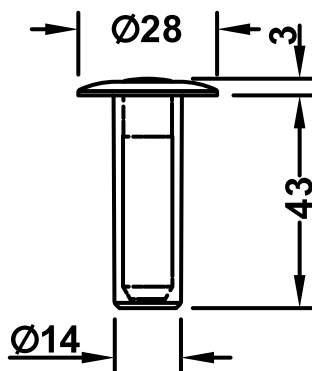
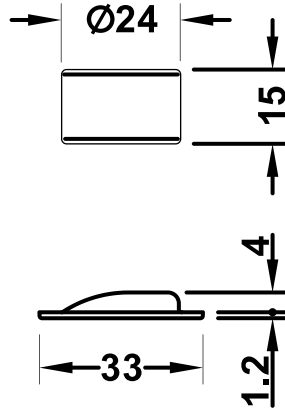
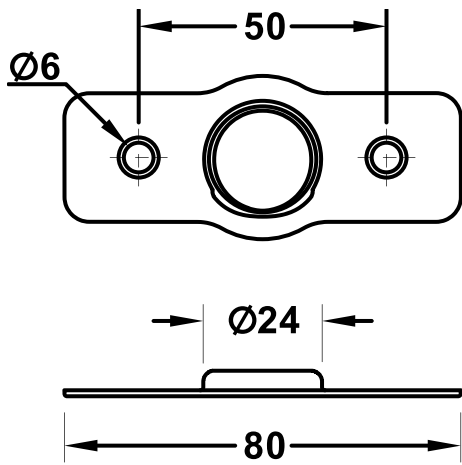
- ✓ **Fully Concealed:**
Integrates seamlessly into your door, maintaining a clean look.
- ✓ **Hold-Open Feature:**
Keeps your door securely open, preventing accidental closures.
- ✓ **Safe and Practical:**
Avoids door and wall damage with its gentle magnetic catch.
- ✓ **Easy Installation:**
Comes with everything needed for a quick setup.

Specifications:

- ✓ **Suitable for Door Thickness:**
Minimum 35mm.
- ✓ **Strong Magnetic Hold:**
28.4N (2.9kg/6.4lb) force.



- ① Magnet
- ② Strikerplate
- ③ Pin
- ④ Floor sleeve





KONNER PRECISION

Jl. Tanah Abang 5 No. 27 C1 Jakarta Pusat 10260, Indonesia
info@konnerprecision.com

WWW.KONNERPRECISION.COM