



Dear Friends and Esteemed Partners,

We are thrilled to unveil the latest edition of the Habitus Concept catalog. This edition goes beyond mere product display, featuring project photos that illustrate how our hardware integrates into doors and complements their architectural surroundings.

The 2023 launch of the JAKKU handle in Osaka, a collaborative effort with Eko Priharseno and Elmes Union Corporation Japan, was a standout achievement. Now part of their permanent collection, it showcases the success of our Habitus Originals initiative in bringing Indonesian design to the global forefront.

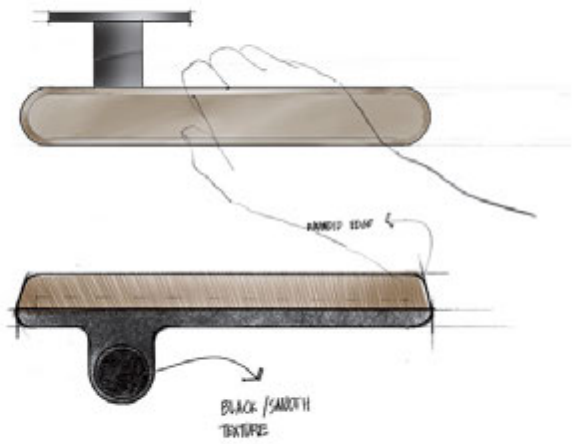
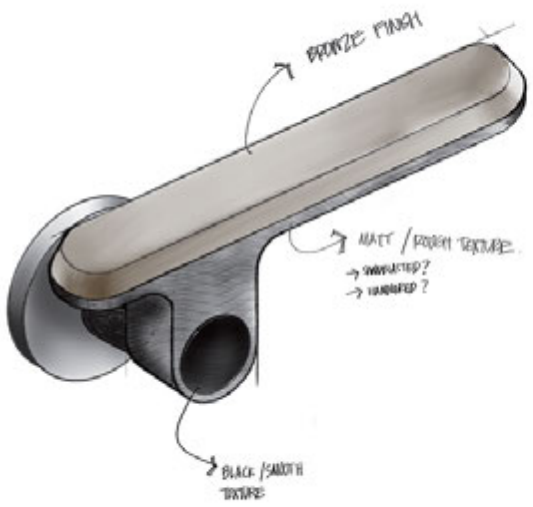
As we move into 2024, we're eager to introduce new collaborations that will enrich our product selection. Our lineup will include Ewa Austria's security systems, FritsJurgens' pivot systems, Halliday+Baillie's sliding mechanisms, Athmer's door seals, and Konner Precision's marine-grade hinges, each bringing a distinctive solution to our offerings.

We cordially invite you to our studio, a hub where inspiration and innovation converge. Your steadfast support is our foundation, and we are wholeheartedly committed to deepening and enriching our partnership in the years ahead.

With Warm Regards,

Swamitra Dermawan

JAIKKU



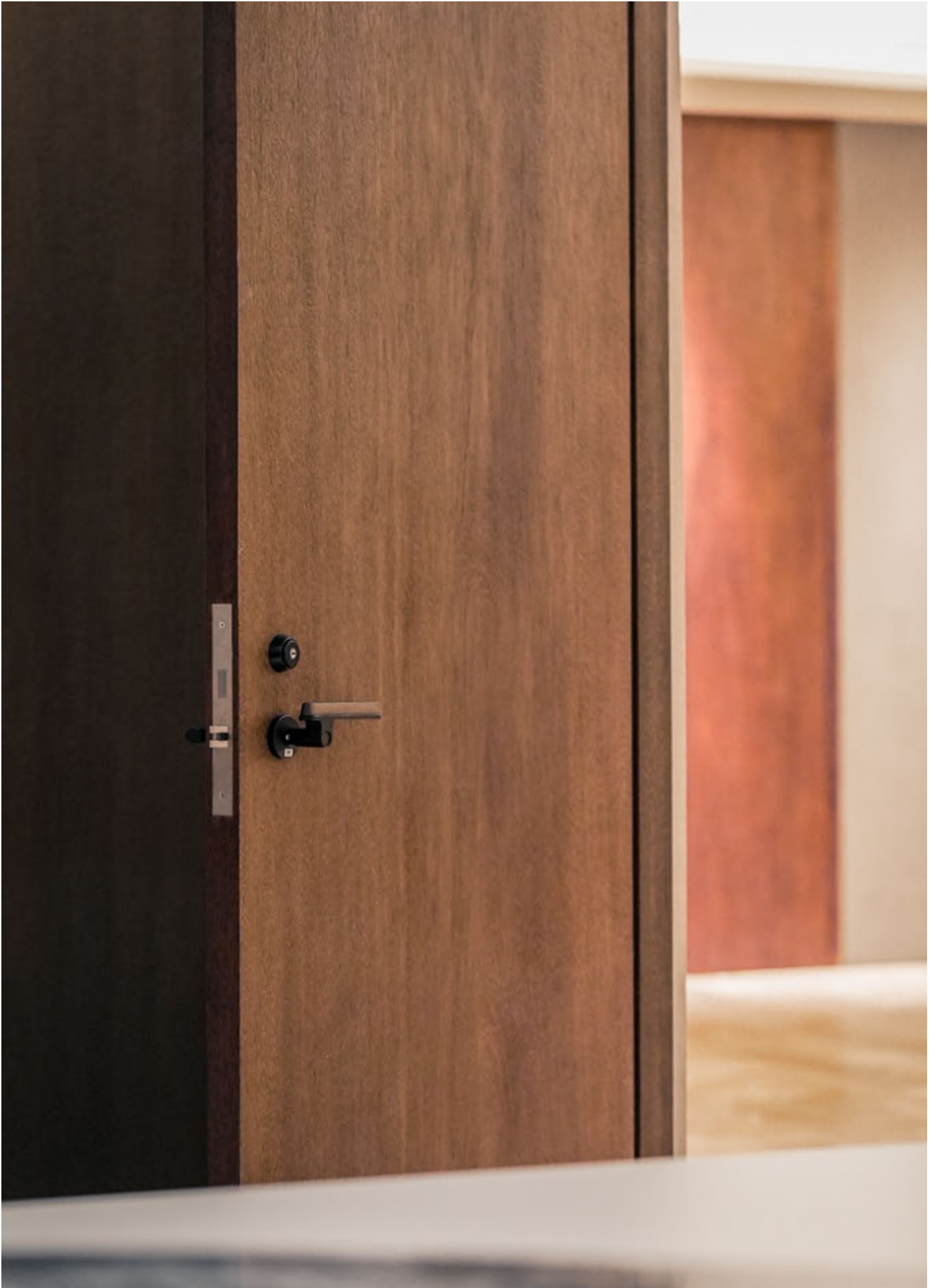
A Journey to Simplicity

Indulge yourself in an exquisite expedition into the enchanting universe of JAKKU handles, crafted by the esteemed UNION CORPORATION JAPAN. Marvel at the unparalleled ardor and devotion of our ingenious designer, Eko Priharseno, hailing from the renowned Aedi Interior Design Bureau in Indonesia, as he unravels the intricate art of handle-making in Tokushima, Japan.



Japan minimalist design-inspired **JAKKU** is designed by **Eko Priharseno** from AEDI Interior Design and produced by **Union Corporation Japan (Elmes)**





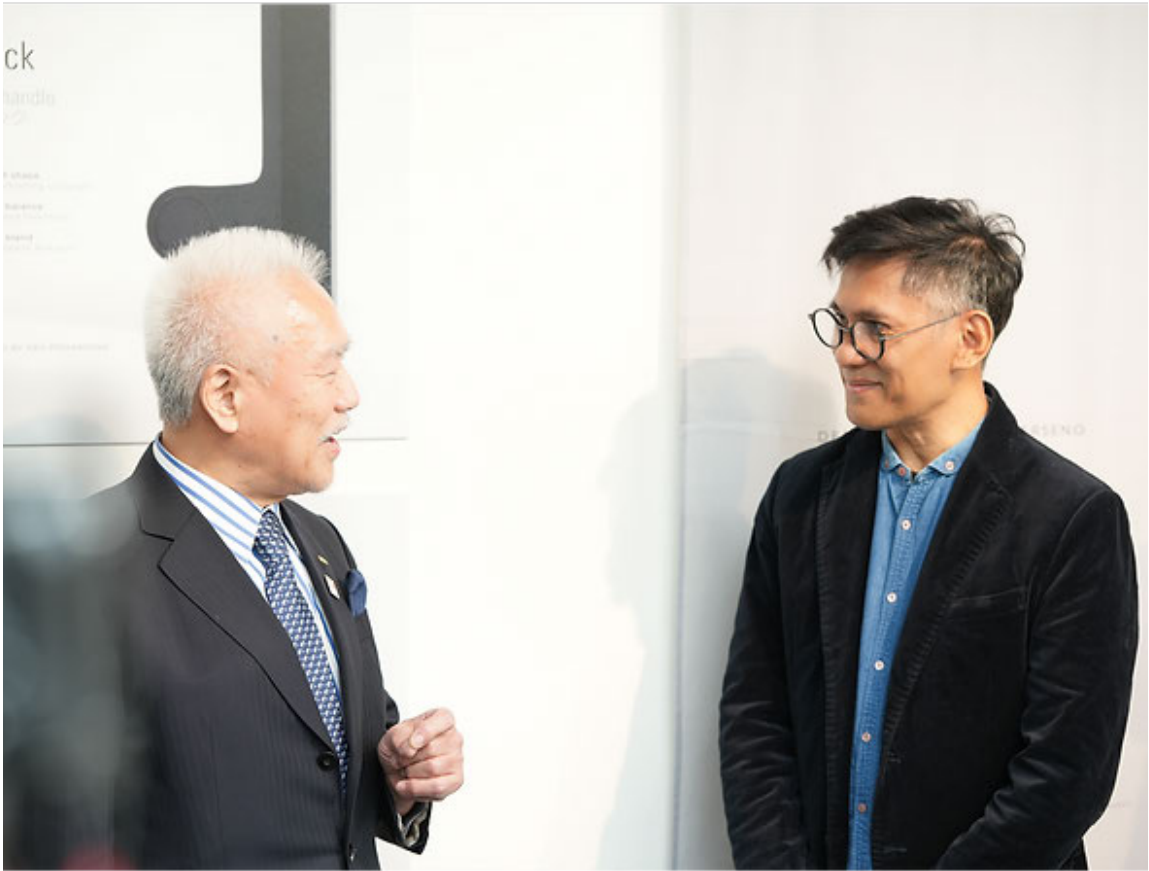




Crafted from premium-grade aluminum infused with the finest magnesium, these exquisite JAKKU handles are meticulously engineered to provide unparalleled durability and unyielding strength.



The JAKKU's grand launch took place at the prestigious Elmes Union Osaka headquarters, graced by the presence of Mr. Junzo Tateno, the esteemed President of Elmes Union Corporation. In attendance were also luminaries such as Mr. Ippei Tanaka, Mr. Hayato Omura, and Mr. Shintaro Nakai, who offered their unwavering support



JAKKU accentuates the advancement of craftsmanship and Japanese approach to modern minimalism design on door handle and holds a distinguish meaning: as a part of one's personality to deliver an impeccable life experience in a space



JAKKU TYPE
LEVER HANDLE

JAKKU COMPOSITION
ALUMINUM ANODIZED

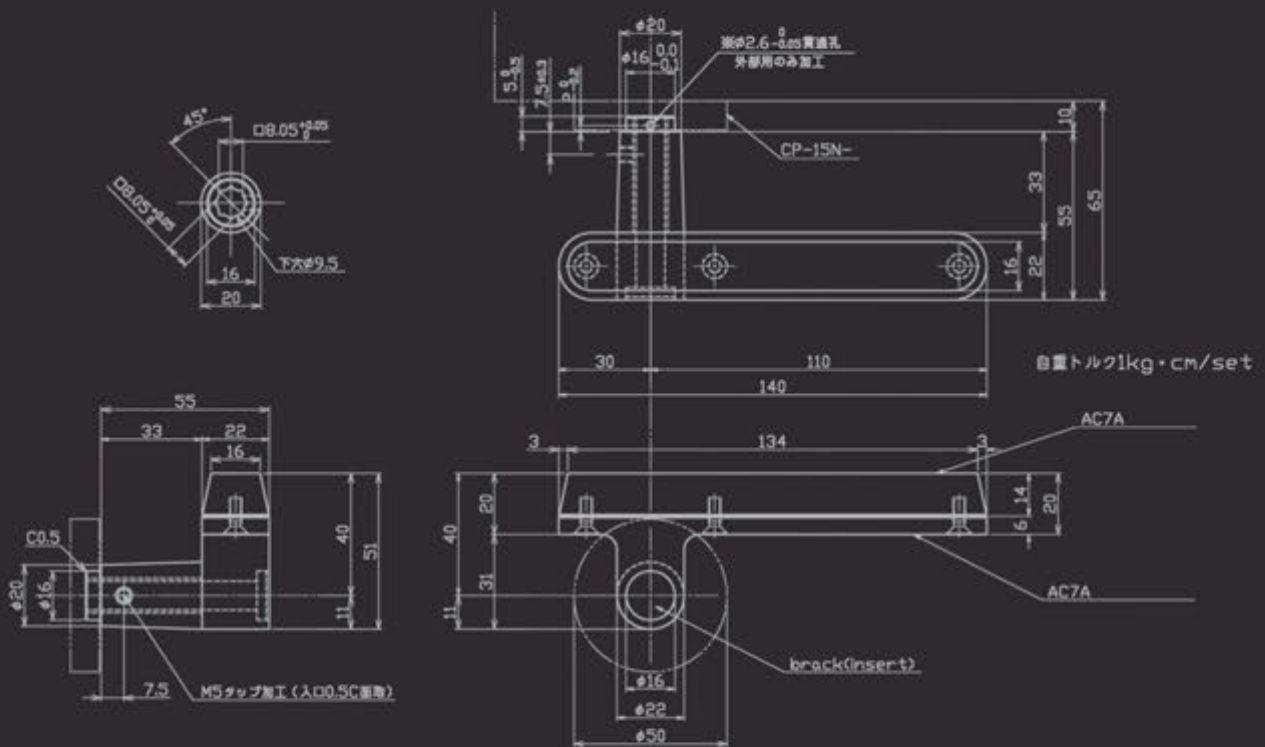
LENGTH (L)
140 MM

ROSE (R)
50 MM

PROJECTION (P)
65 MM

MAX GRIP WIDTH (W)
22 MM

FINISHING
BLACK
GOLD
UMBER
GOLD / BLACK
UMBER / BLACK





With the JAKKU handle, you can rest assured that you're holding a true symbol of luxury and exclusivity, designed to elevate any space to new heights of sophistication and elegance



BLACK
ブラック



UMBER
アンバー



GOLD
ゴールド



GOLD / BLACK
ゴールドブラック



UMBER / BLACK
アンバー、ブラック



THE EXPERIENCE STARTS FROM THE DOOR.

Elevate values through immersive range
of door hardware.

Create an everlasting statement with
the right products of your choice.

Tailoring Your Door Experience with Precision and Elegance

At Habitus Concept, we understand that every brand of door hardware has its strengths. Our expertise lies in harnessing these strengths to ensure each piece not only adds to the beauty of your home but also functions with precision. Our holistic approach goes beyond mere selling; we integrate each item into the narrative of your home.





Custom Installation Plans for Impeccable Detailing

The perfect door results from detailed planning and expert installation. We provide personalized installation plans, working closely with you or your architect/designer. We focus on essential technical specifics:

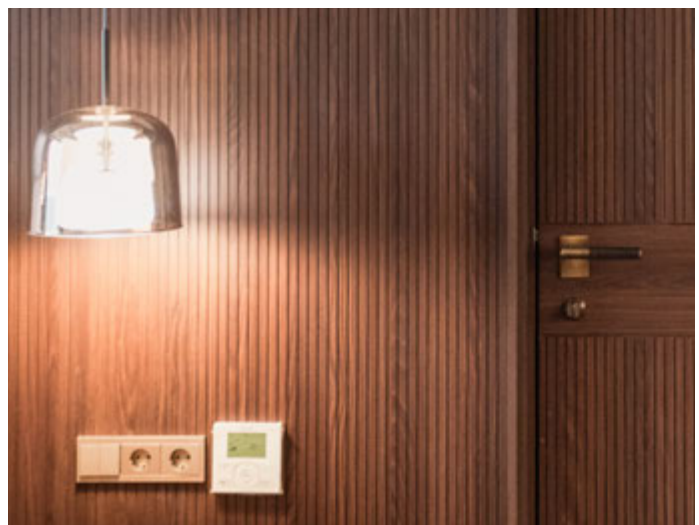


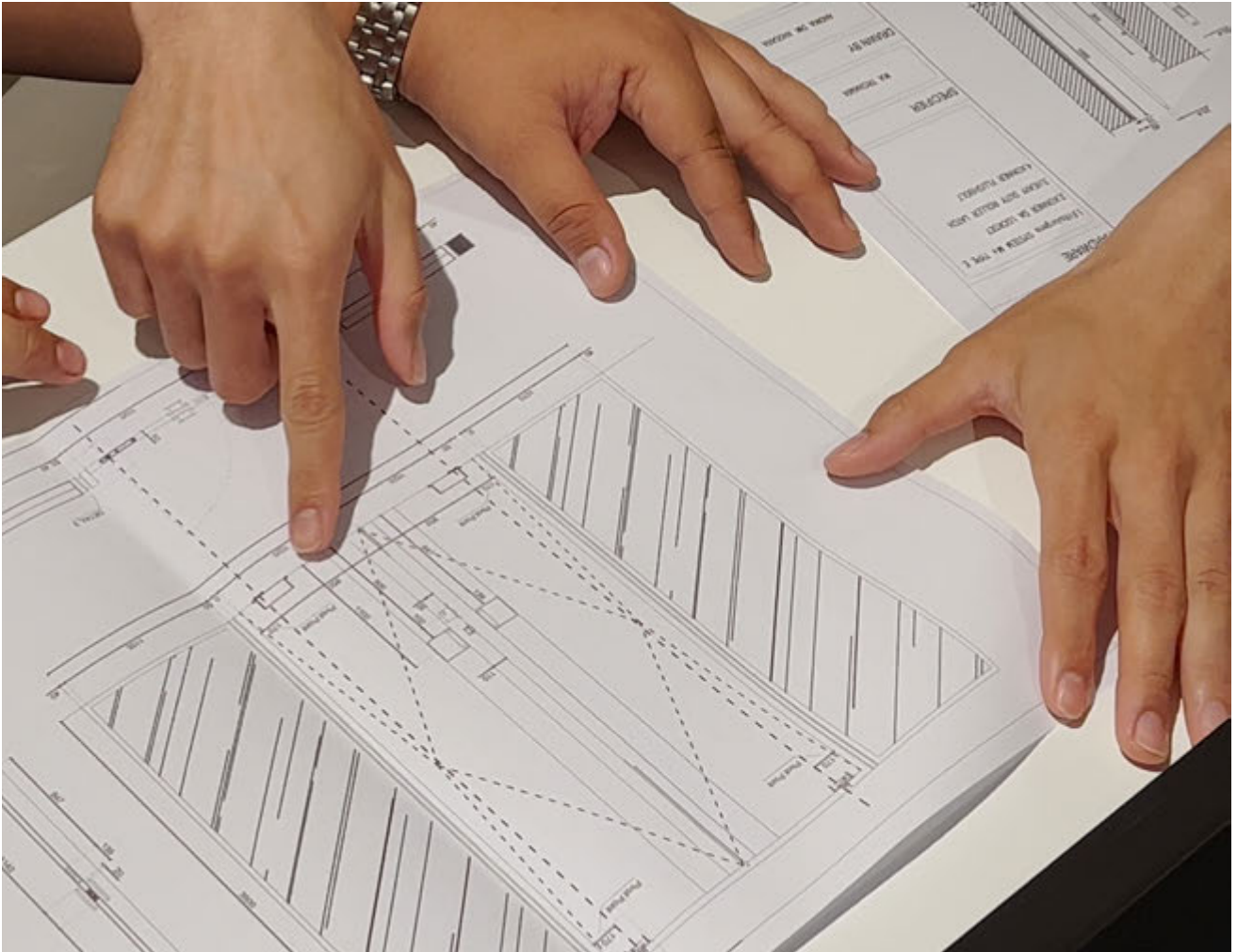
Door Type (Swing/Sliding) Dimensions (Height, Width, Thickness in millimeters)

Material, Finishing, and Weight
Our experience ensures the right hinges are selected for the door weight, guaranteeing smooth operation and durability.

A Holistic Approach to Every Space

Your home is a collection of unique spaces, each demanding specific hardware solutions. Whether it's a main entrance or a concealed room, we ensure the right hardware enhances both functionality and aesthetics. We consider all door types, from room and bathroom doors to specialized options like acoustic doors and automatic systems.





A Commitment to Harmonious Design

Habitus Concept is about creating a harmonious blend of design elements and your lifestyle. We make every hardware piece a defining element of your space, ensuring that it not only looks perfect but also performs flawlessly.



Embark on a Journey of Elegance with Us

Join Habitus Concept in transforming your space into an embodiment of elegance and personal style. Connect with us for a consultation, and let's turn your vision into reality with our experienced touch.

BRAND PARTNERS

Door
Hardware

Elmes Union
Turnstyle Designs
FritsJurgens
Konner Precision
Mantion
Halliday Bailie
Studio Tirar
Miwa Locks
Miwa Digital Lock
Athmer

Accessories

Bathroom
Accessories

**UNION
ELMES**
ARTWARE
UNION CORPORATION JAPAN

KONNER

halliday
baillie

FritsJurgens

MIWA

MANTION
SYSTEMES COULISSANTS

TIRAR

TURNSTYLE
DESIGNS
MADE IN ENGLAND

Habitus Podcast offers monthly audio interviews on topics related to interior design and architecture. Habitus is dedicated to promoting ideas of many creatives, including architects, interior designers, brand-representatives, plus those who is making a difference in the world of design & architecture in everyday life.

Listen on



HABITUS PODCAST

SINCE 2017



TURNSTYLE
DESIGNS

MADE IN ENGLAND



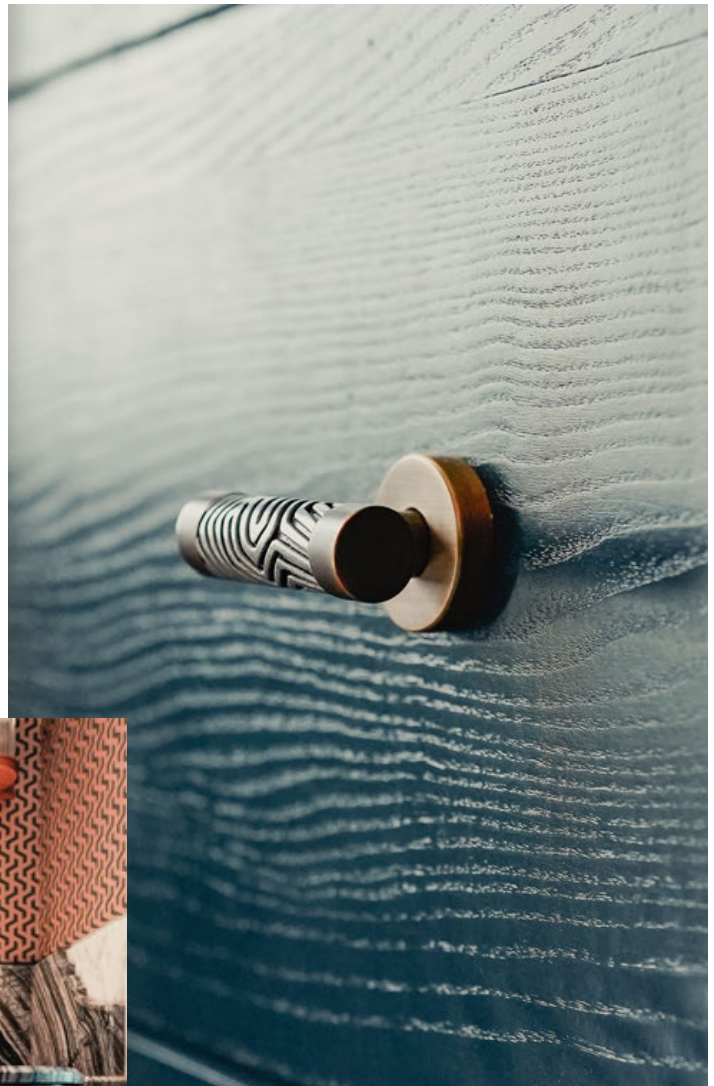
Transforming Doors and Furniture
with Maze-Inspired, Elegant Geometric
Design.

Labyrinth Recess Amalfine Knob

Turnstyle's Labyrinth Recess Amalfine, in collaboration with Winch Design, offers a bold blend of geometric and organic inspirations, echoing a maze's complexity. This extensive collection coordinates seamlessly, infusing your home with a sophisticated harmony, where each piece resonates with luxurious style and intricate design.

Turnstyle's Labyrinth Recess Amalfine

A bold, maze-inspired union of geometry and organic design, crafted by Winch Design to bring coordinated elegance to every corner of your home.





Elevating Jakarta's Luxury Apartment Scene with Vindate

In the heart of Jakarta, an exceptional collaboration unfolds between Turnstyle Designs, with their 100% Made in England craftsmanship, and the esteemed interior design firm Vindate, led by Hans Susantio. This partnership sets a new standard in luxury apartment living, blending exquisite British craftsmanship with strategic interior design.



Luxury and Craftsmanship by Turnstyle Designs

At the forefront of luxury door and furniture hardware, Turnstyle Designs takes pride in its heritage of 100% British craftsmanship. Specializing in bespoke solutions for high-end interiors, their products are a testament to artisanal excellence and meticulous attention to detail, all crafted in England.



In this project, Vindate's signature approach places Turnstyle's knobs centrally on doors and panels, serving both decorative and functional purposes, blending artistry with utility.

Strategic Selection by VIN·DA·TE INTERIOR AND ARCHITECTURE

Under Hans Susantio's guidance, Vindate meticulously specified Turnstyle Designs' British-made hardware, ensuring each selection harmonized with their interior concepts. The compatibility of Turnstyle's products across doors and furniture allows for a cohesive design theme, aligning with Vindate's commitment to quality and aesthetic unity.







Turnstyle Design's knob: 'Stacked Woven Recess Amalfine' in Alupewt grip, fine antique finish. A testament to British elegance and meticulous planning, this exquisite knob, integrated during the door's design stage, accentuates a bold blue door. Masterfully selected and strategically placed by the interior design firm Vindate, it transcends mere functionality, becoming a defining element of style.





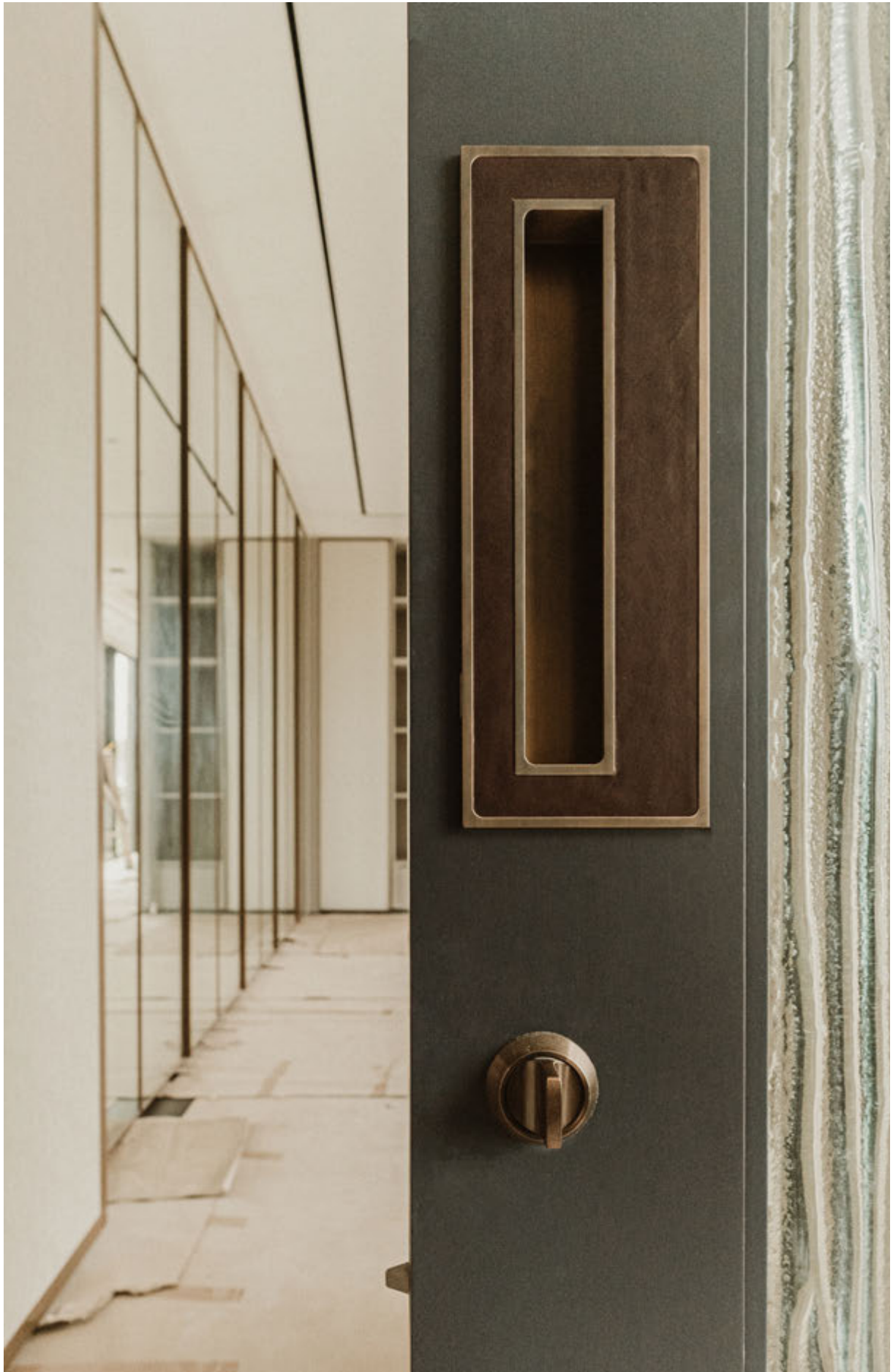


In Jakarta's upscale apartment project, Turnstyle's hardware selections, including elegant knobs, handles, and cabinet T bars, showcase a blend of classic craftsmanship with contemporary design aesthetics. Each piece, expertly crafted in England, contributes to the overall sophistication and elegance of the living spaces.













**UNION
ELMES
ARTWARE[®]
UNION CORPORATION JAPAN**



UNION/ELMES

WHERE AESTHETICS,
CRAFTSMANSHIP, AND
DESIGN CONVERGE,
CREATING ARTWARE
THAT RESONATES IN
THE HEART.

Elmes entry door pull handles and lever handles seamlessly combine the elegance of Japanese aesthetics with contemporary modern design. With a wide range of products, Elmes dominates the market, holding over 70% market share in Japan. Additionally, their reputation is expanding globally as they continue to gain market share internationally. With their commitment to innovative design and quality manufacturing, Elmes has become a trusted name in the industry. Their expertise in crafting entry door pulls and lever handles has been instrumental in their success and recognition both in Japan and abroad.

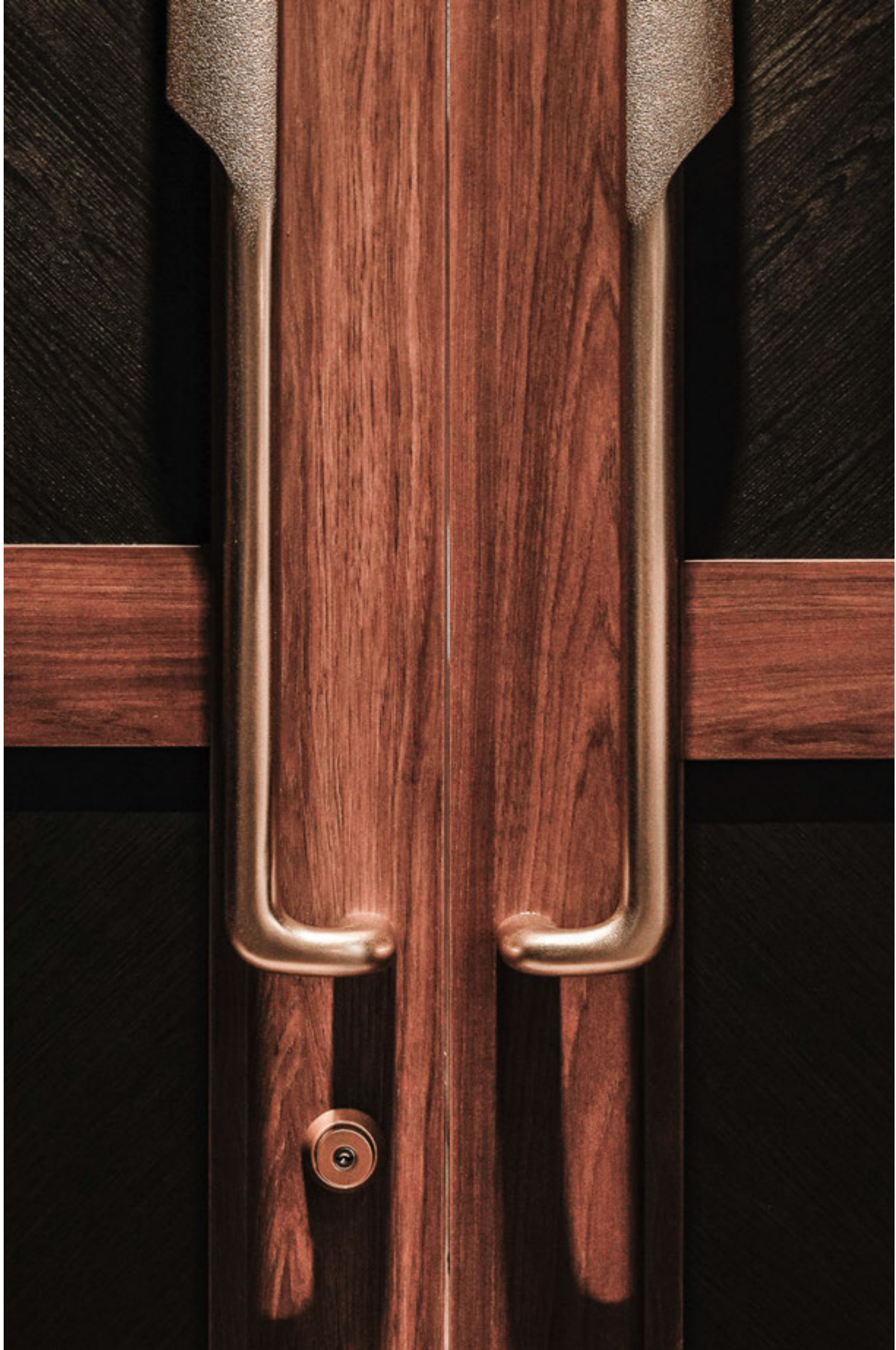
habitusconcept.com

UNLOCKING THE PERFECT EXPERIENCE: THE ESSENTIAL INGREDIENTS OF EXCEPTIONAL DOOR HARDWARE

Quality experiences begin with the meticulous selection of the right hardware for your home. Habitus Concept offers highly customizable lockset options and a wide range of finishes to deliver a comprehensive experience for you and your loved ones with every entry through doors.

Foundational Specification

Building a strong foundation for your door hardware is crucial as you embark on your door journey. It is essential to take proper measurements and ensure that every hardware piece is well-fitted to your doors with the correct specifications.



THE SHIELD











The Shield Handle draws inspiration from ancient Japanese warrior tales. Its captivating black and gold strokes, meticulously achieved through a triple anodizing process, bring forth artistic expression. Designed to adorn diverse doors, it exemplifies both style and durability.

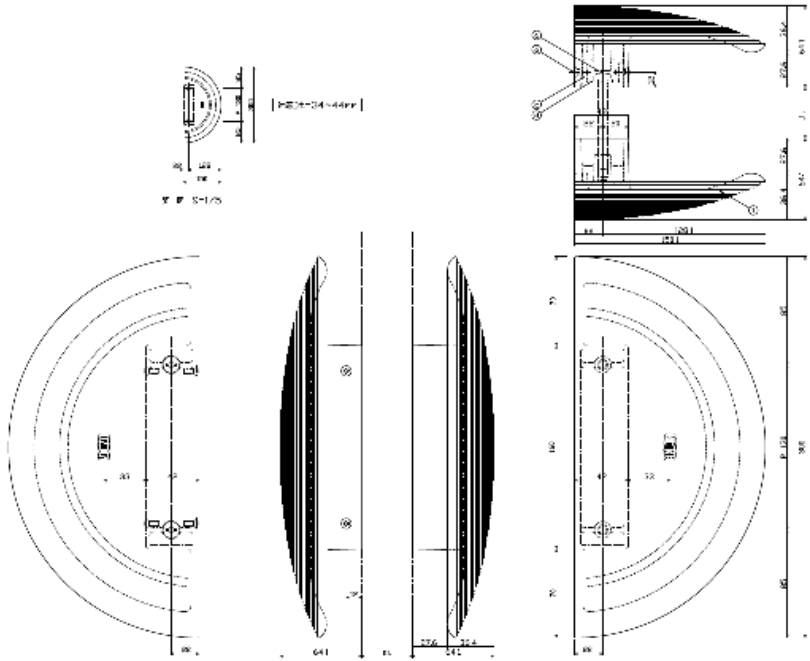


The Shield Handle draws inspiration from ancient Japanese warrior tales. Its captivating black and gold strokes, meticulously achieved through a triple anodizing process, bring forth artistic expression. Designed to adorn diverse doors, it exemplifies both style and durability.



TECHNICAL SPECIFICATIONS

Material: Aluminium with Triple Anodizing
Finishes: Gold x Black | Umber x Black

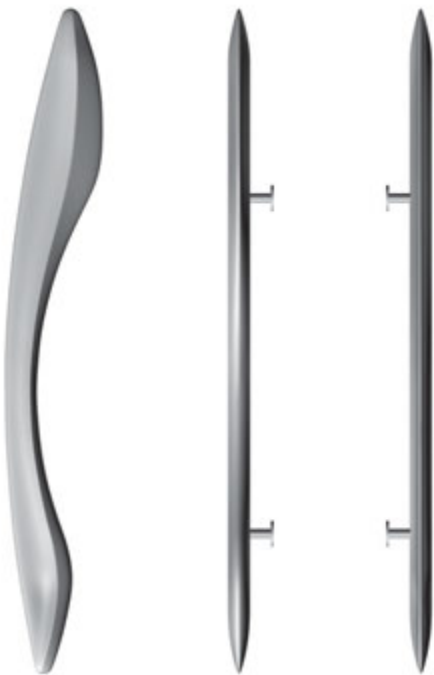


S.A.Y.A.P HANDLES



The S.A.Y.A.P Handle. A collaboration of Indonesian Design and Japanese Engineering. Designed by Sammy Hendramianto Syamsulhadi of SHS & Associates Jakarta and perfected by the Craftsmen of Union / Elmes, the S.A.Y.A.P Handle accentuates the classical contemporary design of the Indonesia culture and Japanese avant-garde take on modern contemporary pull handles.

First 3D printing preview meeting with Pak Sammy of SHS & Associates and Mr. Ippei Tanaka of Union/Elmes



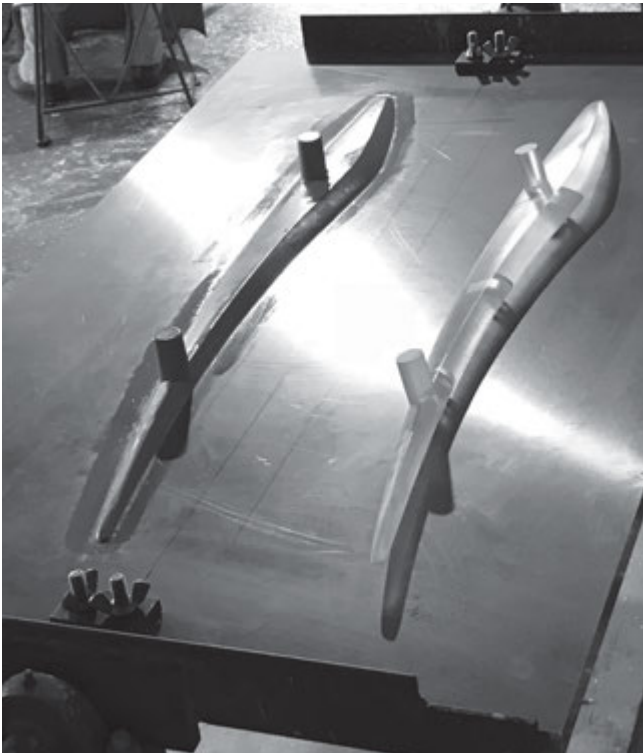
Initial design of the S.A.Y.A.P Handle



With curved edges lining the leading edge of the handle and rounded edges on the inside, the S.A.Y.A.P resembles the camber of an aerofoil, enveloping the user with an experience which is unmatched on both visual and tactile cues.



Aluminum sand-casting facility at Tokushima Prefecture, Japan.





Through its 76 years of experience in the handling of materials and finishes, Union's craftsmen worked to perfect the technicals and details for that perfect experience with the S.A.Y.A.P. To further elevate the its physical presence, Union elected to build the SAYAP with higher grades of aluminium while finishing with its inimitable Anodised Blast finishing, completely manufactured in Japan from start to end.



Design contract signing between Pak Sammy Hendramianto Syamsulhadi and Mr. Junzo Tateno, President of Union/Elmes Corp. at Osaka, Japan. This marks as the first Indonesian designer to collaborate with Elmes/Union.





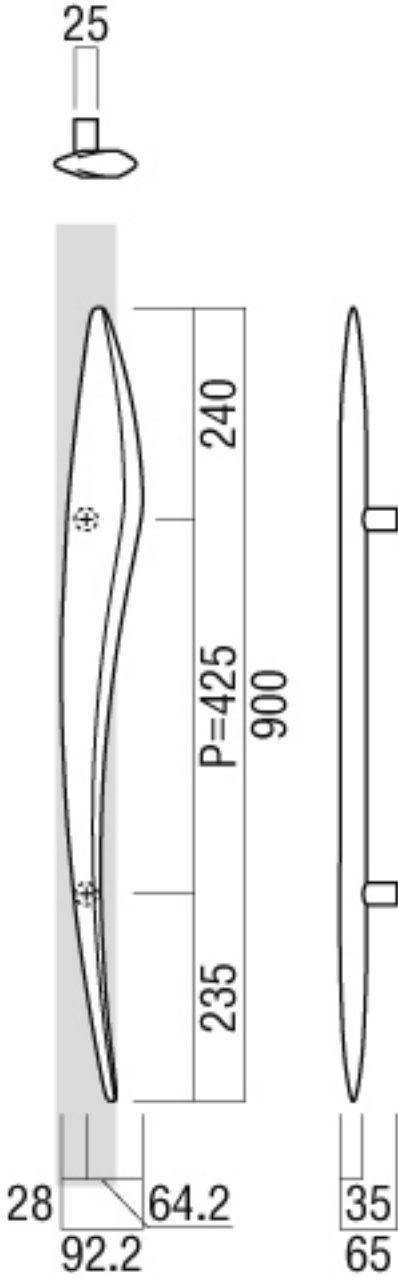






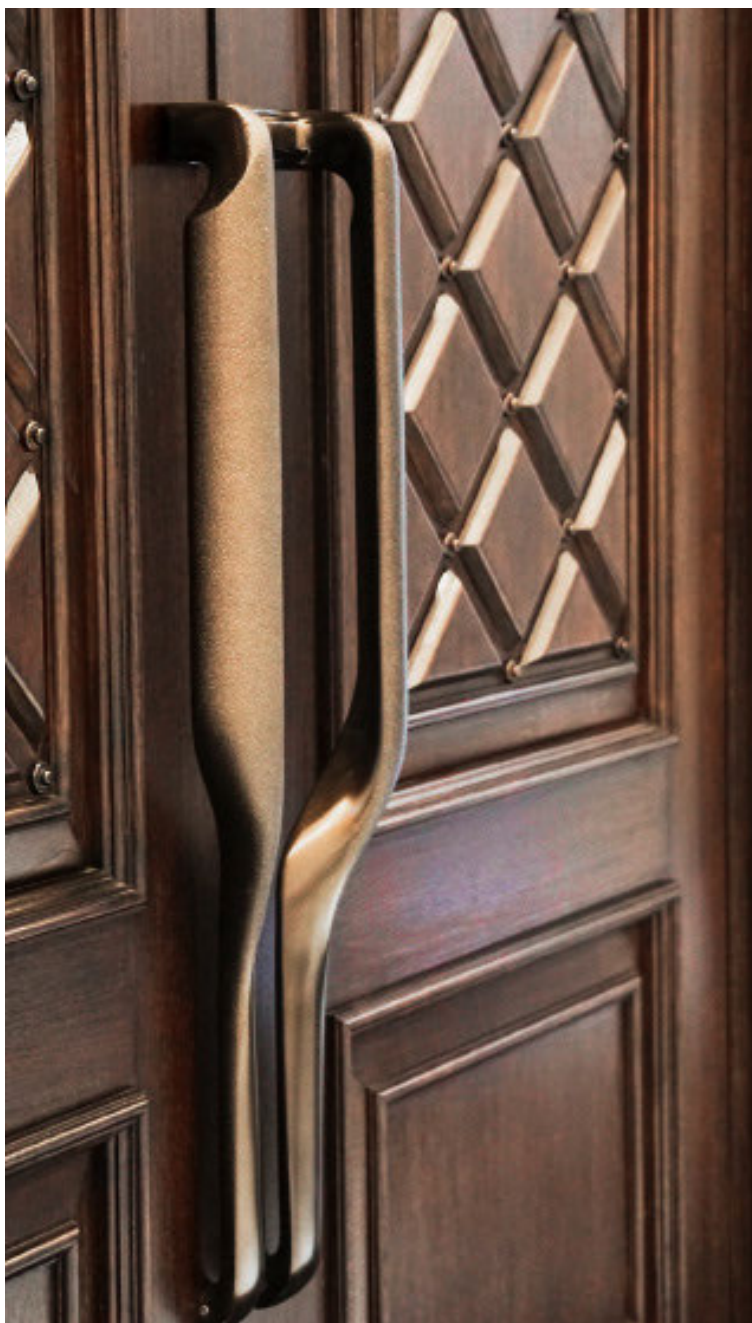
TECHNICAL SPECIFICATIONS

Material: Aluminium with Triple Anodizing
Finishings: Umber | Black | Gold



THE BUTTERFLY





Adorn your home with The Butterfly Handle, an icon showcasing distinctive bending technique Japanese design, made with weather-resistant, high-quality aluminum material.

The Butterfly Handle is made by the aluminum artisan at Kyoto prefecture, with anodizing finish done in Osaka, giving it one of the best material Elmes offer today.





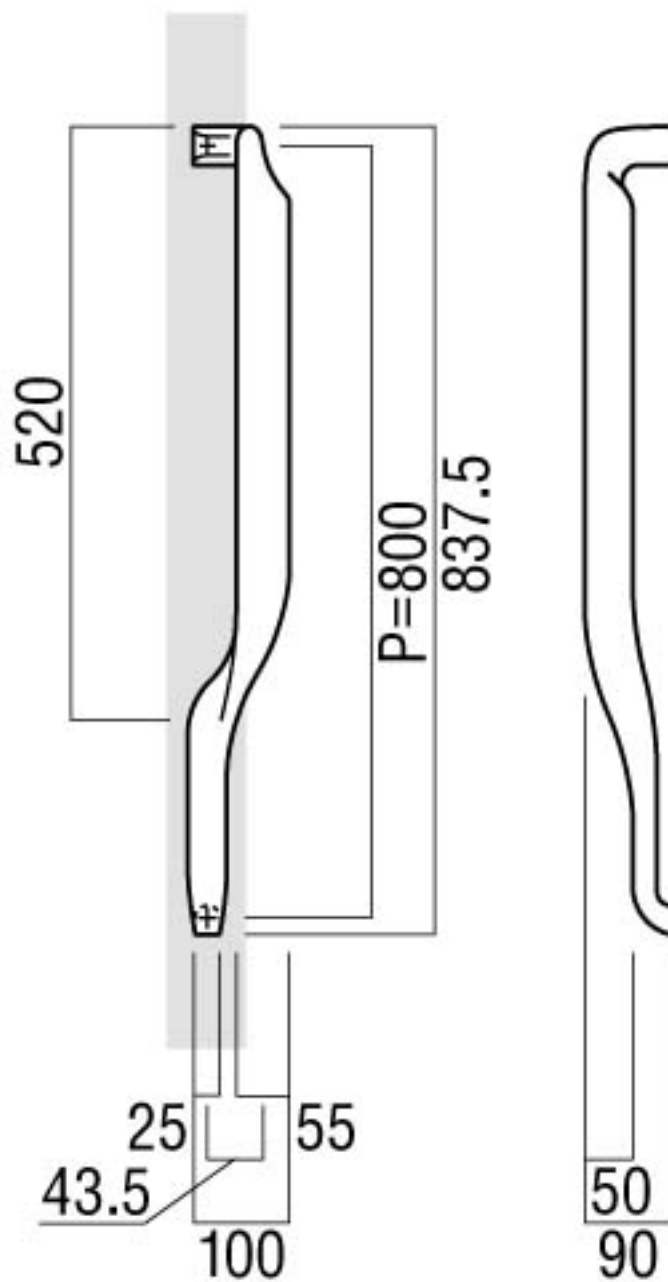




TECHNICAL SPECIFICATIONS

Material: Unicast (Aluminum) | Blast |
Anodized,

Umber + Anodized | Umber



THE VAN DYKE





Van Dyke handle is designed with particular shape to build an impactful impression on doors; either as a pair or stand alone as a single handle.



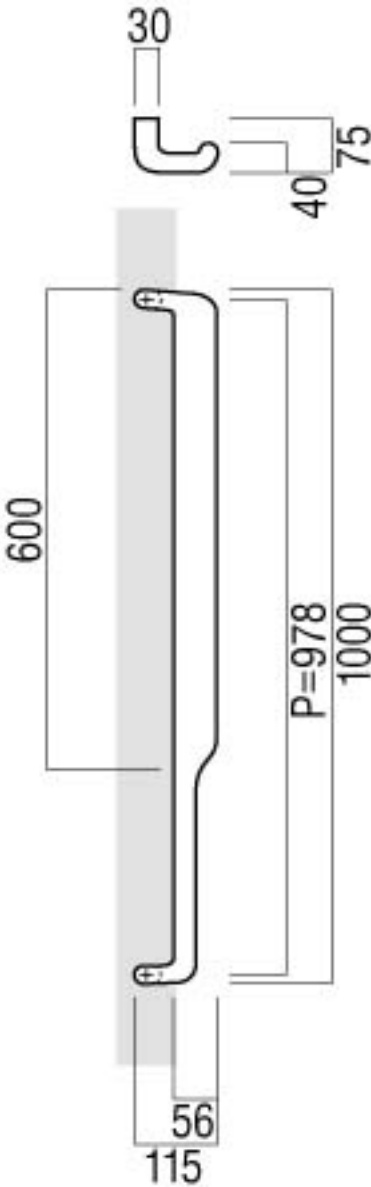




TECHNICAL SPECIFICATIONS

Material: Unicast (Aluminum) | Blast | Anodized,

Umber + Anodized | Umber



THE THREADLINE



THE THREADLINE

Crafted from solid aluminum, this door handle boasts a sleek threadline design that is further enhanced with a stainless steel plating. The result is a simplistic yet robust shape, delivering durability and style in one elegant package.



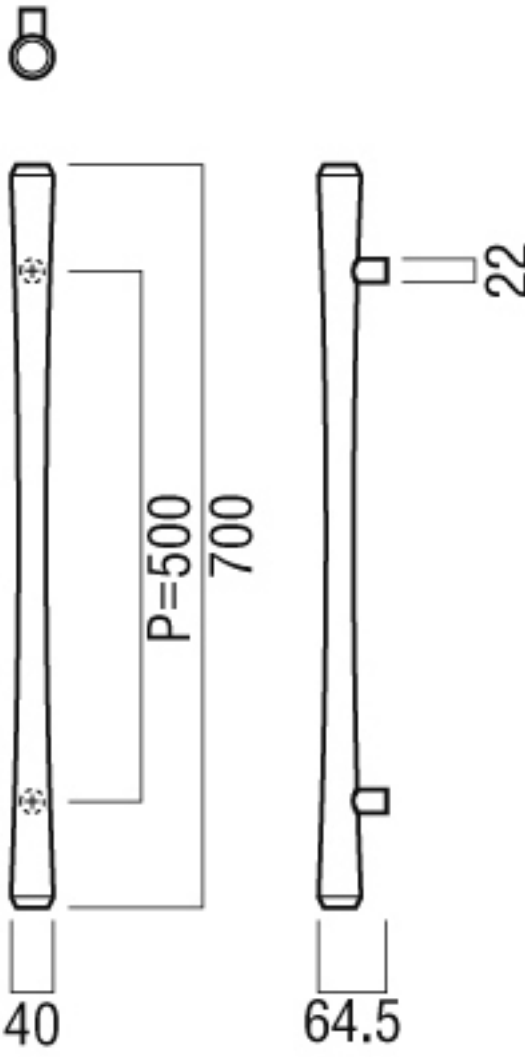






TECHNICAL SPECIFICATIONS

Material: Aluminum, Threadline, Anodized
Finishing: Stainless Steel Color



THE AMPLIFIER







At Agam Riadi's foyer 'The Soul of Java' three-bedrooms unit apartment with S.A.Y.A.P Handles.

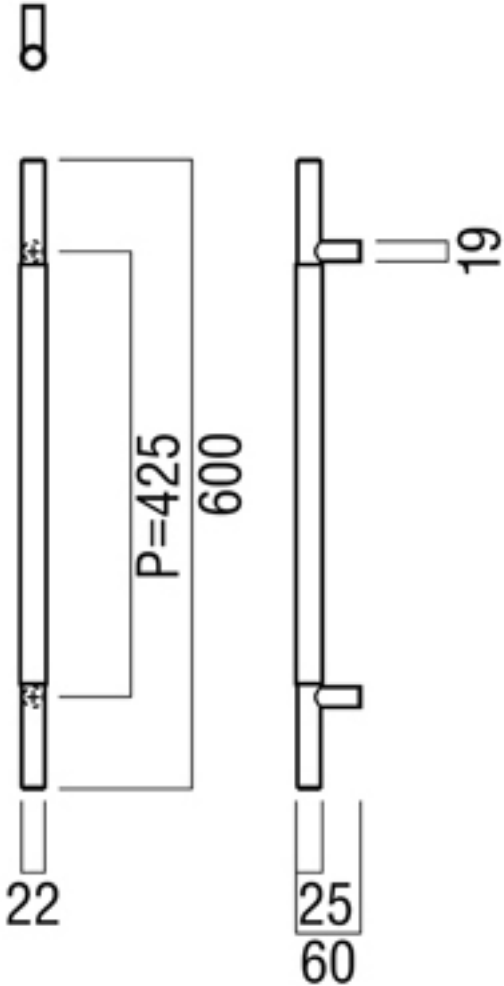


The Amplifier Handle is a full solid brass
knurled and polished at the ends to
produce a contrasting impression on
the experience.

TECHNICAL SPECIFICATIONS

Material: Oxidized Brass

Finishings: Polished | Golden Bronze | Charcoal



THE LONG TUNNEL





Introducing the Long Tunnel Handle, a door pull that transcends time and unifies people and spaces. With its captivating design, it symbolizes the seamless flow of movement. Available in elegant black and silver options, this handle embodies a timeless aesthetic. Crafted to perfection, it is a testament to the enduring beauty and functionality of door hardware.

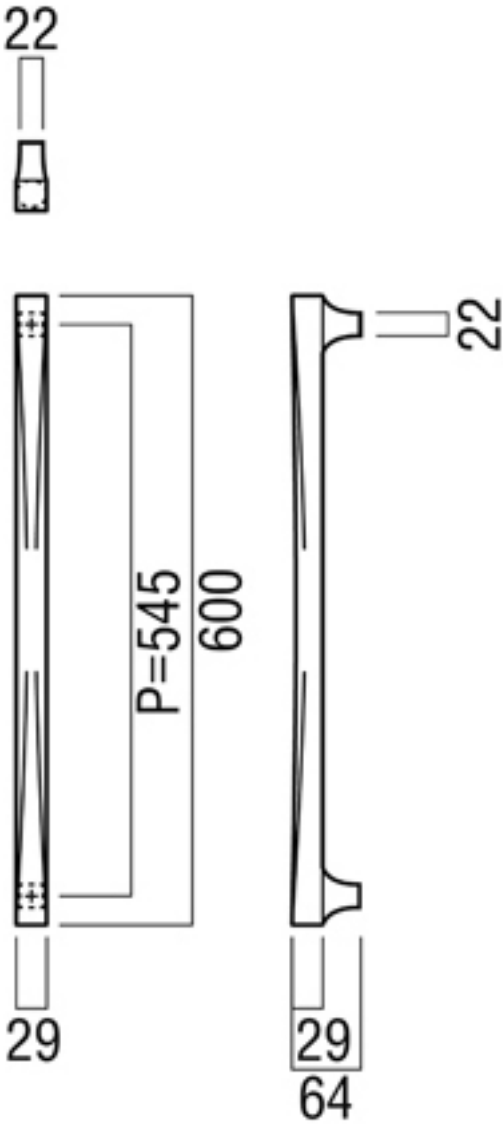


The Long Tunnel Handle represents a harmonious blend of form and function, effortlessly enhancing any space it adorns. Experience the remarkable synergy of design and craftsmanship that this handle brings, creating a lasting impression with every touch.



TECHNICAL SPECIFICATIONS

Material: Unicast(Aluminum) | Unifrost | Anodized
Finishes: White | Black



THE LUNA

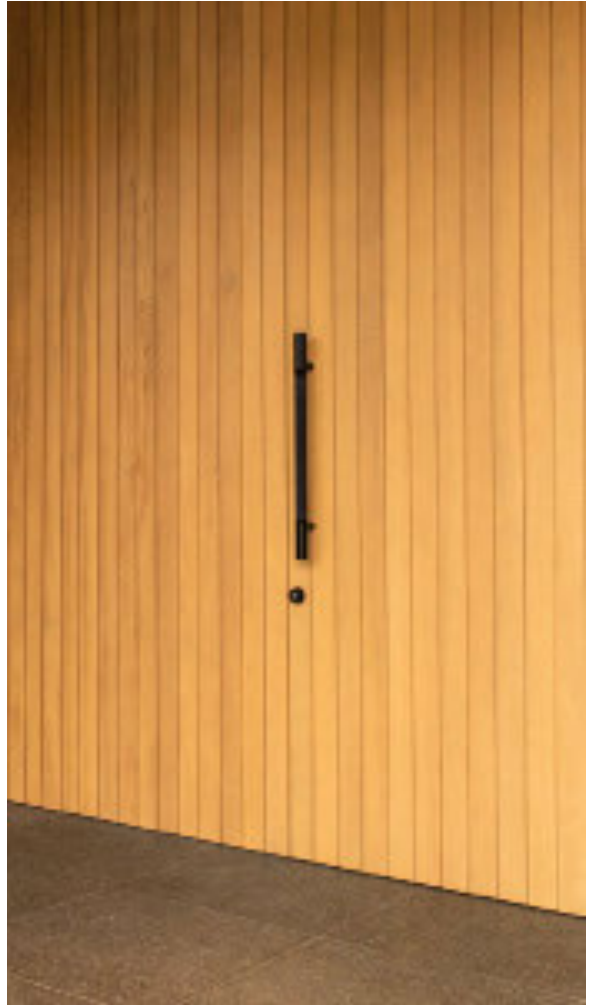
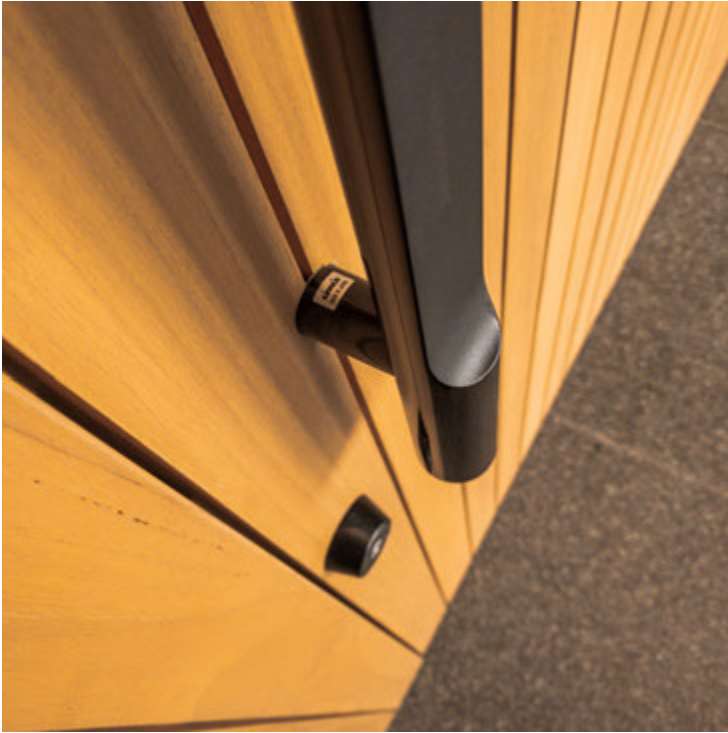


Discover a door handle that harmoniously combines rough and soft surfaces, creating a striking fusion of textures. Crafted from aluminum and featuring an anodized finish, it not only offers durability but also water resistance. This unique handle is designed to captivate with its captivating contrast, adding both style and functionality to any door.



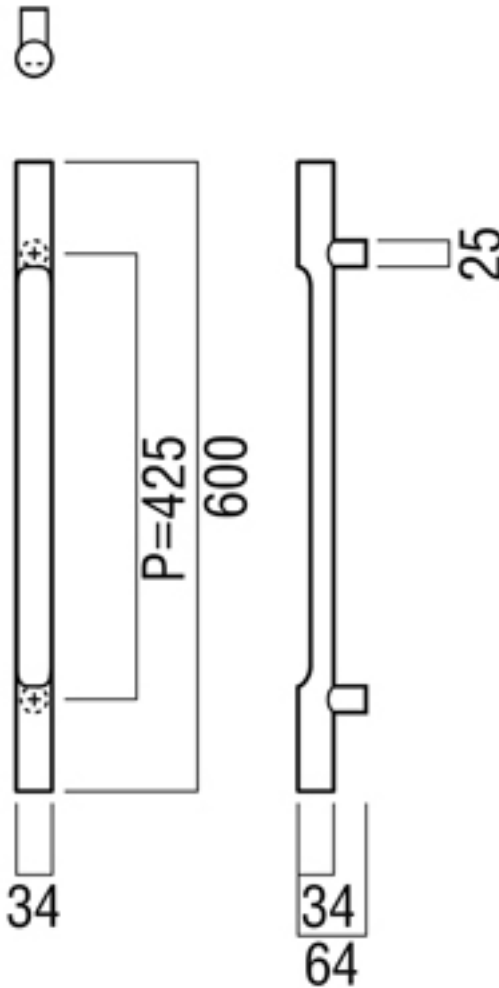


Experience the tactile delight it provides, as well as its enduring beauty that withstands the test of time. Elevate your space with this exceptional door handle, where form meets function in perfect harmony.



TECHNICAL SPECIFICATIONS

Material: Aluminum Anodized | Unifrost Anodized
Finishings: Pale Gold | Black



THE AURELIAN

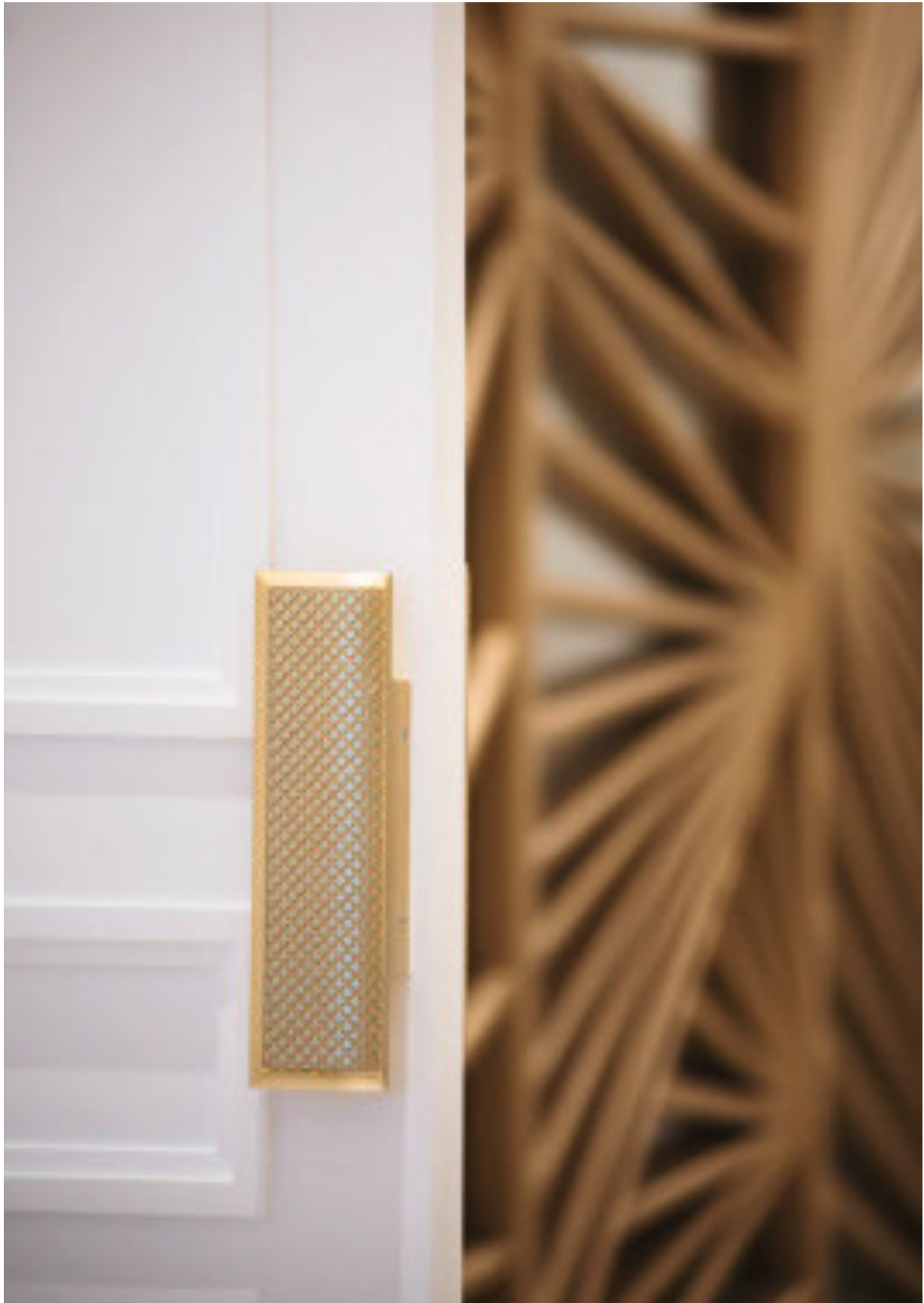


THE PALE GOLD PAGEANT

Enhance your door's aesthetics with the exquisite Aurelian handle. Crafted from cast aluminum, this handle showcases a signature pale gold finish, exuding a luxurious charm. Perfect for apartment unit entrances, its stylish design is as captivating on display as it is to use. Make a statement with The Pale Gold Pageant, transforming your door into a focal point of elegance and sophistication.





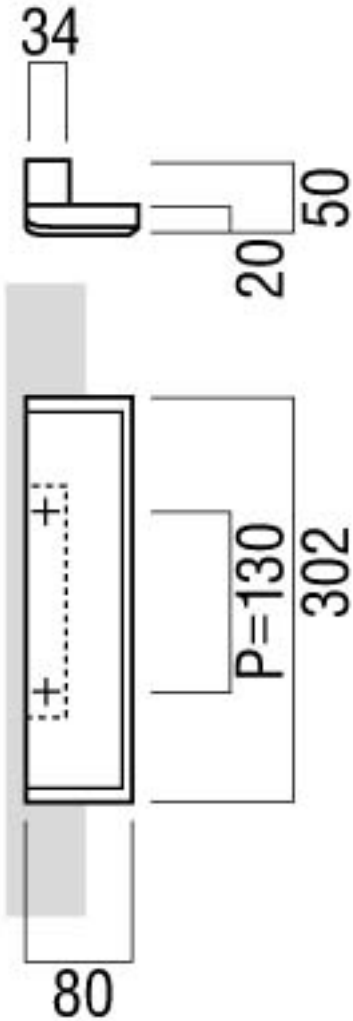






TECHNICAL SPECIFICATIONS

Material: Aluminum Anodized | Unifrost Anodized
Finishings: Pale Gold | Black




THE CRÈME BRULEE



HANDMADE ELEMENTS

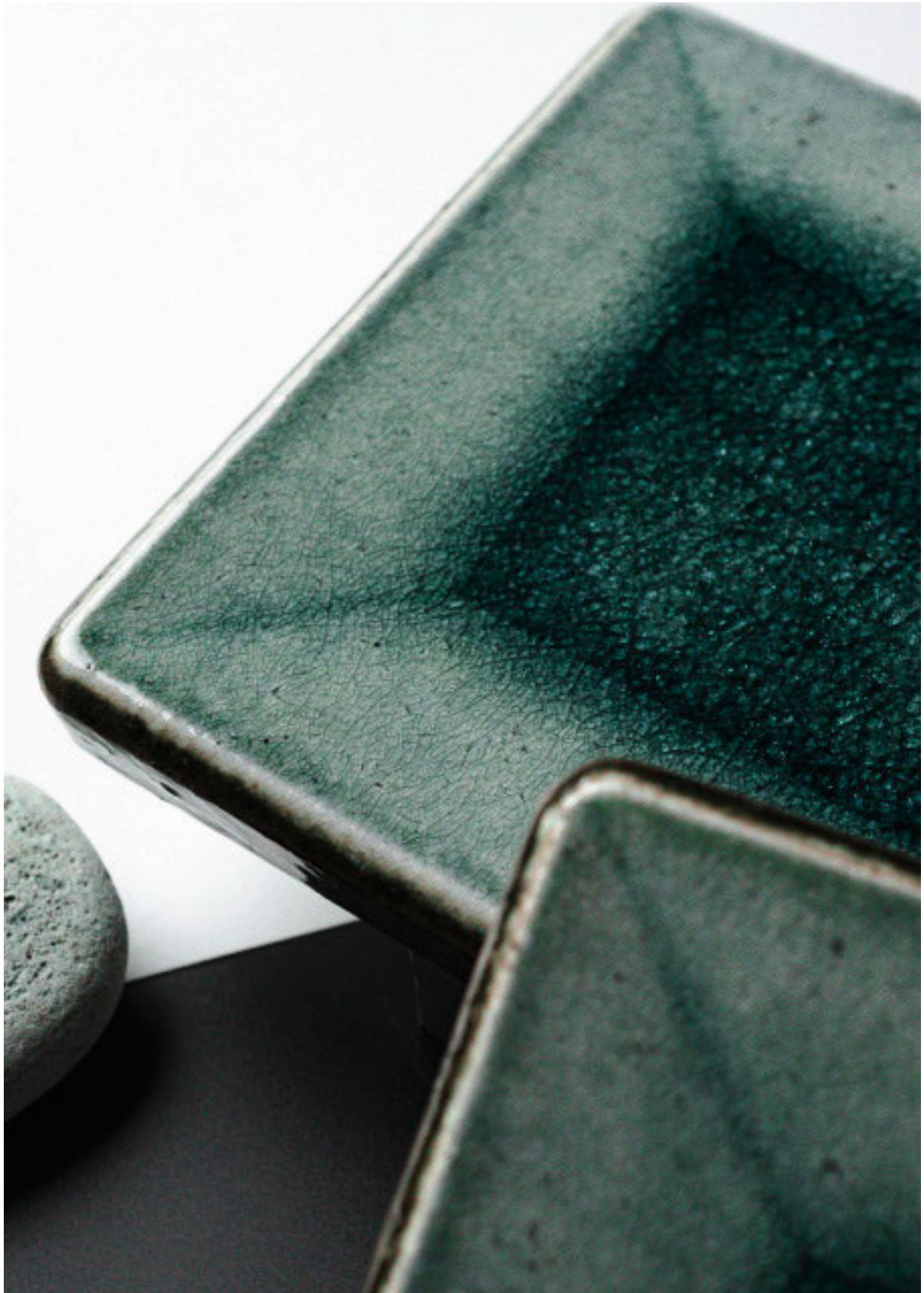
Indulge in luxury with The Creme Brûlée Handles, adding a touch of opulence to your doors. These handles are meticulously crafted from slices of Japanese porcelain, showcasing exquisite markings and rich colors. Enhanced with beautiful metallic details, they exude a captivating allure.





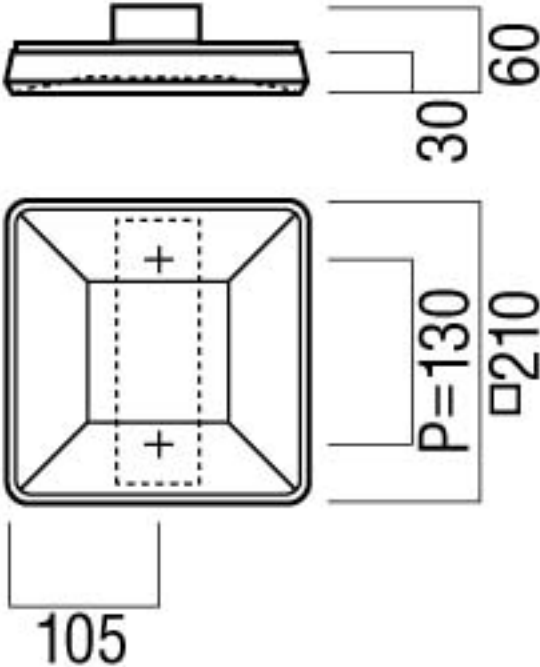
Incorporating natural materials, each handle radiates authentic charm through its unique color and shape. Experience the perfect blend of elegance and craftsmanship with The Creme Brûlée Handles, transforming your doors into true works of art.





TECHNICAL SPECIFICATIONS

Material: Aluminum Anodized | Unifrost Anodized
Finishings: Pale Gold | Black



THE BOND



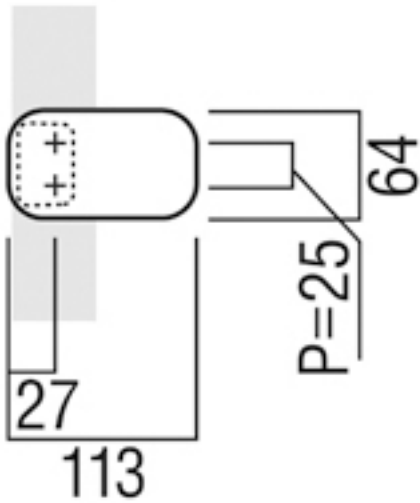
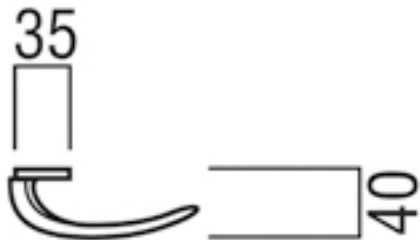




With its seamless form, The Bond Handle effortlessly blends style and functionality, enhancing the overall appearance of your space. Elevate your door's allure with this exceptional handle, creating a sophisticated and captivating statement for all who enter.

TECHNICAL SPECIFICATIONS

Material: Unicast(Aluminum), Blast, Anodized
Finishing: Black, Umber



ガラスドア用
切カキ図
for glass door
sectional d







CHŪTETSU



CHUTETSU HANDLE

A daring line cleaving through the center surface of the handle signifies its classic yet sturdy form. To enrich your experience, this handle is developed with rich texture to satisfy your sense of touch.

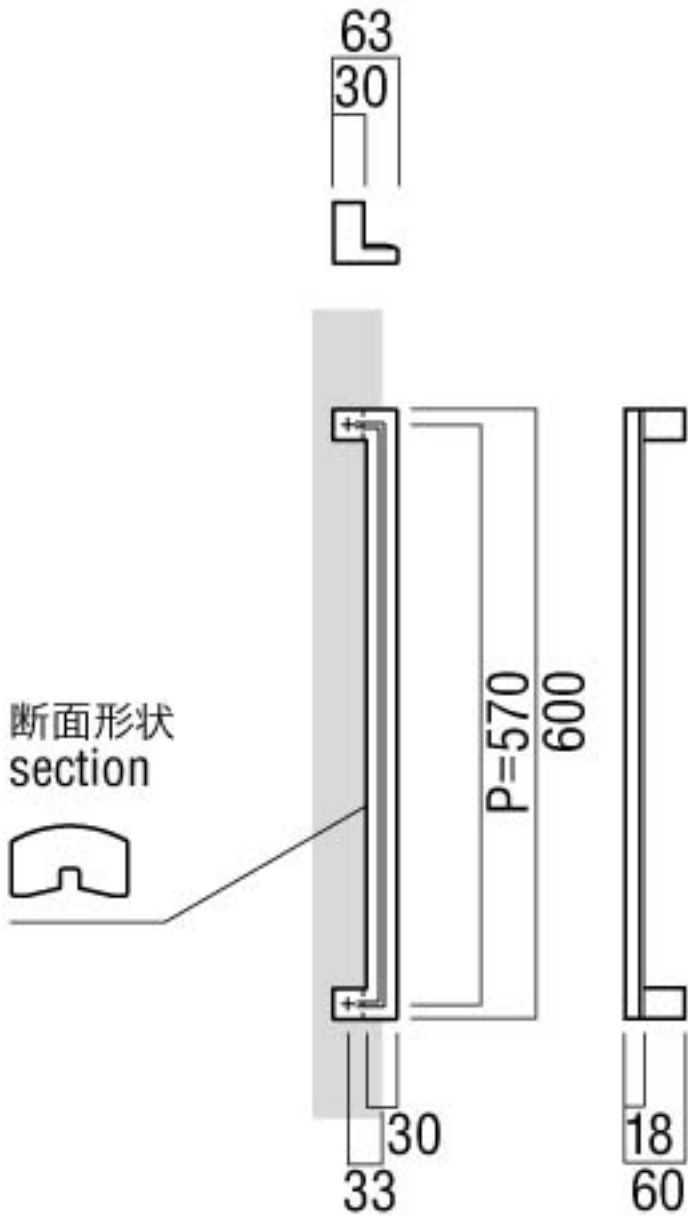




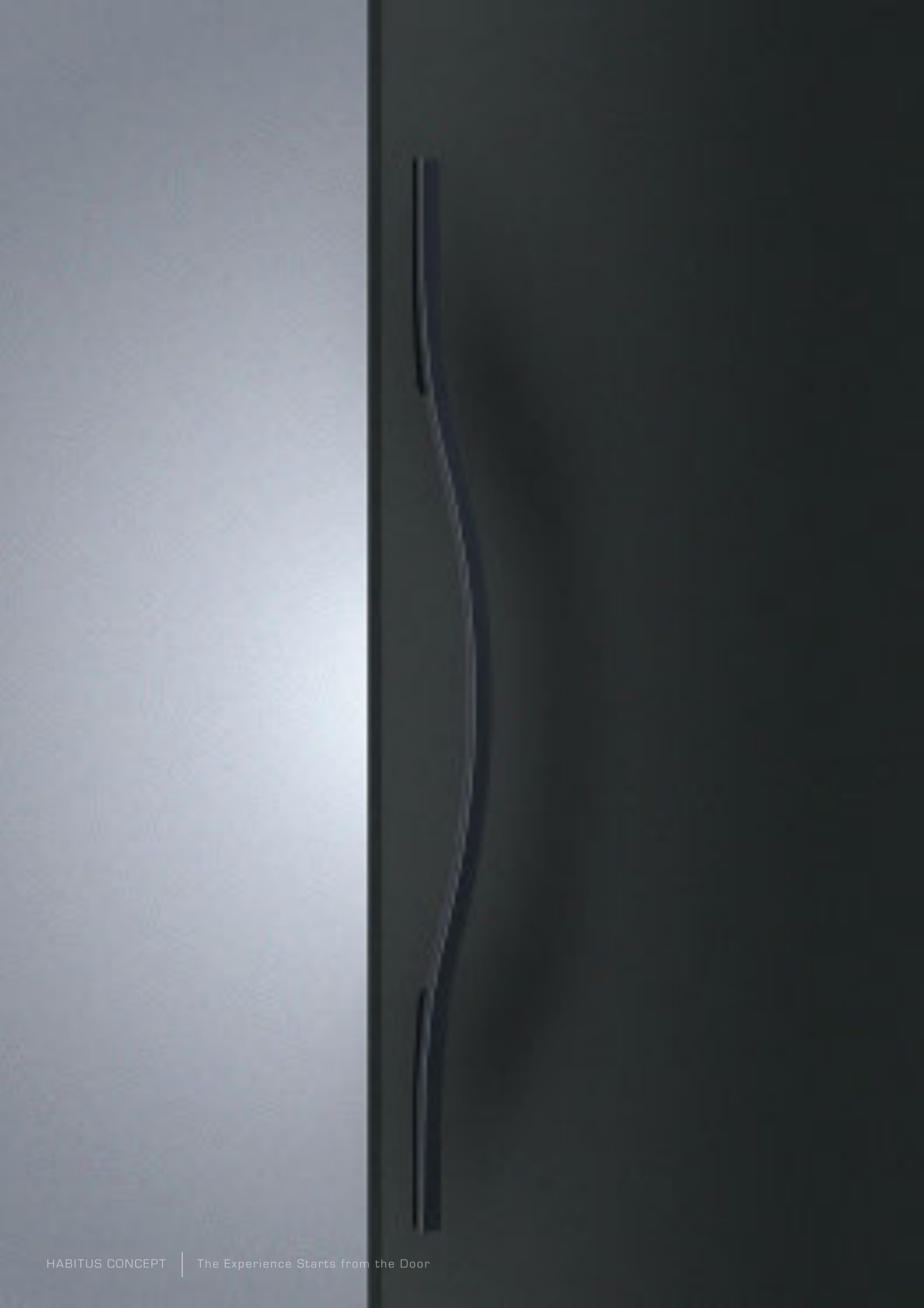


TECHNICAL SPECIFICATIONS

Material: Aluminum Anodized | Unifrost Anodized
Finishings: Pale Gold | Black



THE ELASTOMER



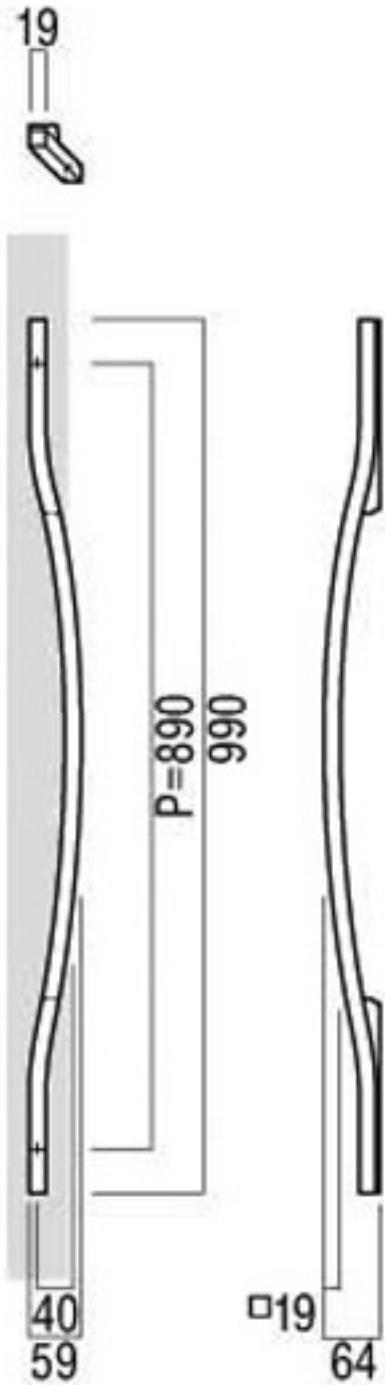
ELASTOMER HANDLE

The Elastomer Handle effortlessly bridges the gap between classic and contemporary design. Crafted from durable stainless steel, this handle showcases a seamless and flowy shape, ensuring ergonomic clearance for comfortable handling. Its versatile design suits doors of various sizes, from regular-sized doors to tall doors, making it a perfect choice for any space.



TECHNICAL SPECIFICATIONS

Material: Stainless Steel, Unimist Mat Black & Elastomer
Finishing: Black



THE ALUWOOD



ALUWOOD HANDLE

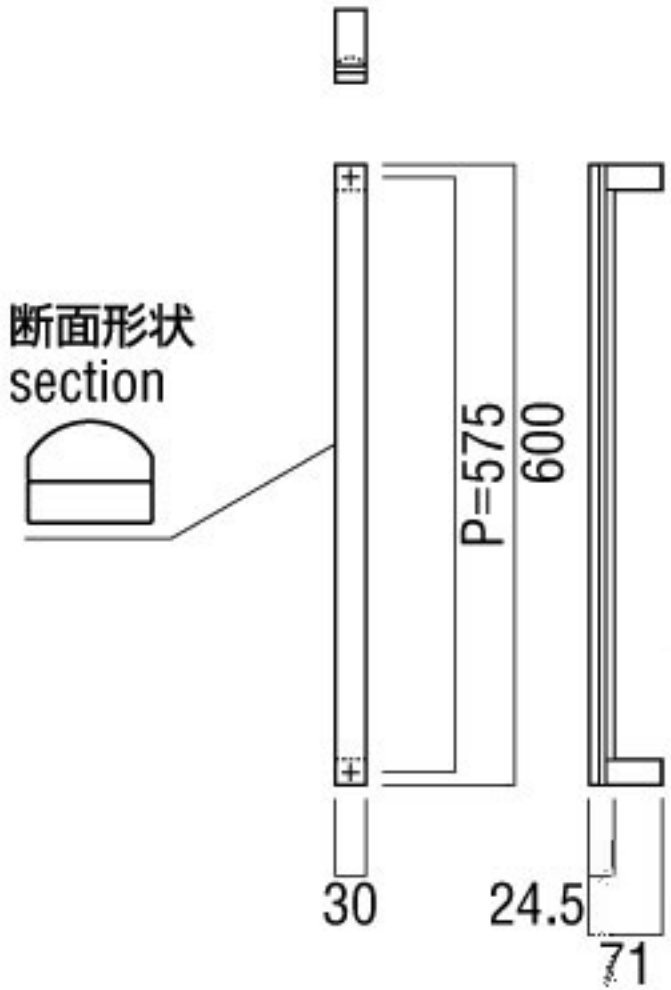
Experience the harmonious blend of ergonomic design, wood, and aluminum with the Aluwood Handle. Combining the principles of comfort and functionality with the captivating combination of rectangular and half-circle shapes, as well as rugged and smooth textures, it offers an exceptional door hardware solution. This handle is thoughtfully designed to provide optimal ergonomic comfort during use.





TECHNICAL SPECIFICATIONS

Material: Aluminum, Blast, Anodized, Black & Uni- Wood(Antibacterial Compressed Wood)
Finishing: Scotch Color



THE VIERRA BRASS



VIERRA BRASS STONE HANDLE

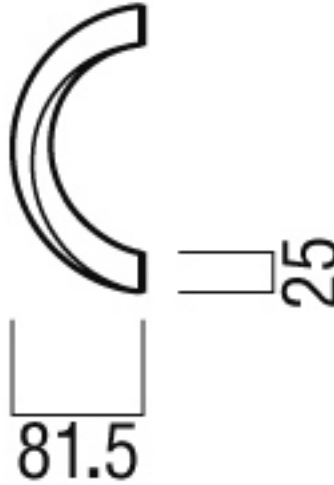
Crafted with a combination of brass casting and a stone blast texture finish. This handle showcases a graceful twist, offering an authentic appeal that enhances the aesthetics of your doors. Experience the seamless harmony of material and design, elevating your space with the Vierra Brass Stone Handle's elegant and sophisticated touch.





TECHNICAL SPECIFICATIONS

Material: Cast Brass
Finishing: Stone Blast



THE NAMBU TETSU



NAMBU TETSU RUST IRON HANDLE

Each Japanese cast iron handle is meticulously designed by skilled artisans with decades of experience. Drawing upon rich historical traditional craft techniques, these handles embody meticulous beauty. The Nambu Tetsu Rust Iron Handle reflects the enduring quality that never fades, showcasing the timeless charm of Japanese craftsmanship.



TECHNICAL SPECIFICATIONS

Material: Japanese Cast Iron (NAMBU-TETSU), Baked Finish
Finishing: Iron Rusted Color



THE
NAMBU
TETSU
MID
SQUARE



NAMBU TETSU MID SQUARE HANDLE

Made with Japanese Cast Iron technique by Japan artisans, The Nambu Tetsu Mid Square Handle is built with square outline shape to enables flexible ways on gripping the handle. Baked finish on its surface enhance your tactile sensation on every grasp.

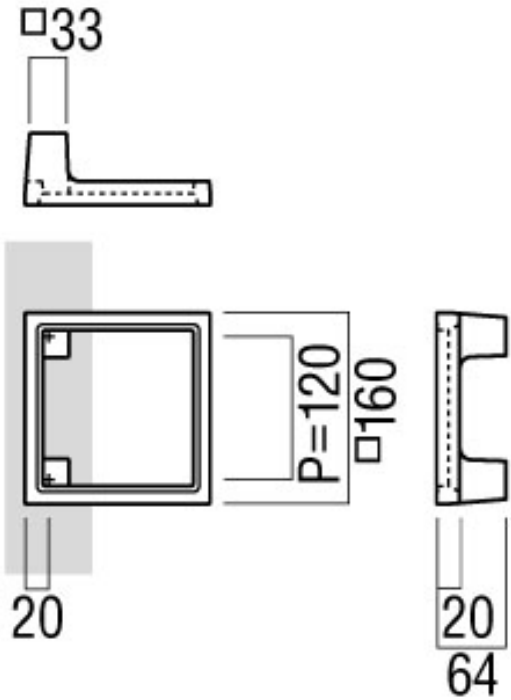






TECHNICAL SPECIFICATIONS

Material: Japanese Cast Iron (NAMBU-TETSU),
Baked Finish
Finishing: Iron Rusted Color



THE BLACK LOTUS



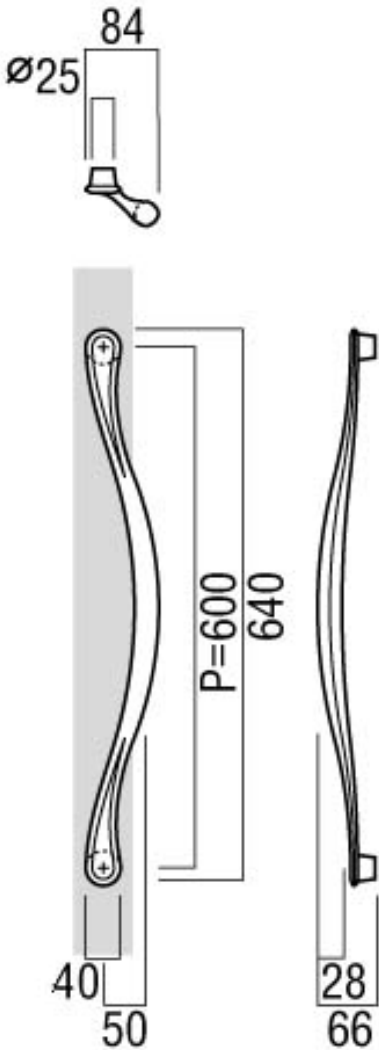
BLACK LOTUS HANDLE

The Black Lotus Handle is more than just a stylish addition; it embodies the perfect blend of aesthetics and functionality. Crafted with precision and attention to detail, it ensures smooth operation and a comfortable grip.



TECHNICAL SPECIFICATIONS

Material: Unicast(Aluminum), Anodized
Finishing: Black



THE SQUARE UNICAST



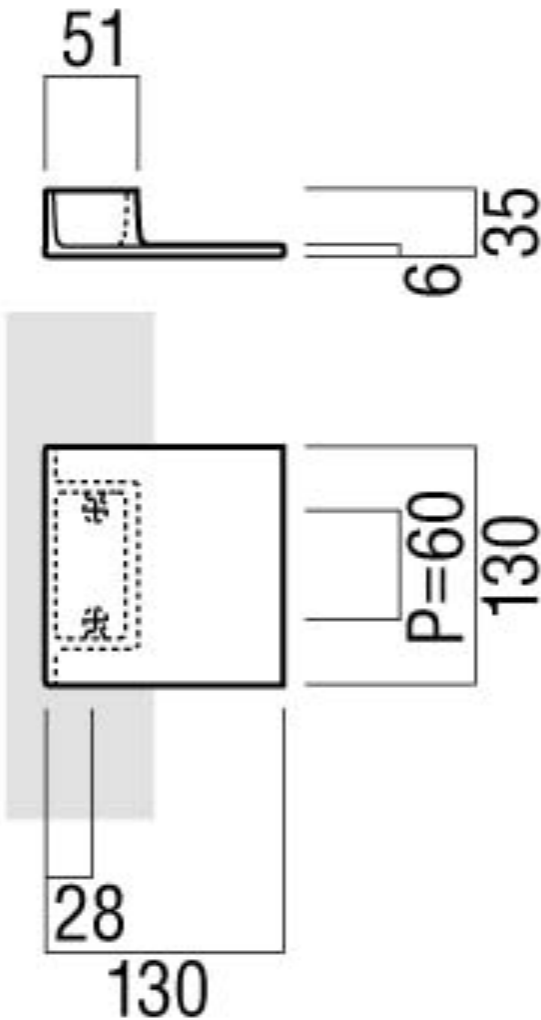
THE SQUARE UNICAST HANDLE

This handle embodies simplicity, yet it leaves a powerful impression. Crafted with meticulous attention to detail, it effortlessly enhances the aesthetic appeal of any door. Made from durable aluminum with an anodized finish, it is suitable for both indoor and outdoor use.



TECHNICAL SPECIFICATIONS

Material: Unicast(Aluminum), Anodized
Finishing: Black



THE SAKURA





Project by RAND HAL (@randhal.id)

THE SAKURA HANDLE

Made of aluminum anodized, The Sakura handle is created with swift curves. Contrasting to its sturdy material, the handle is made with smooth arch to complete doors.





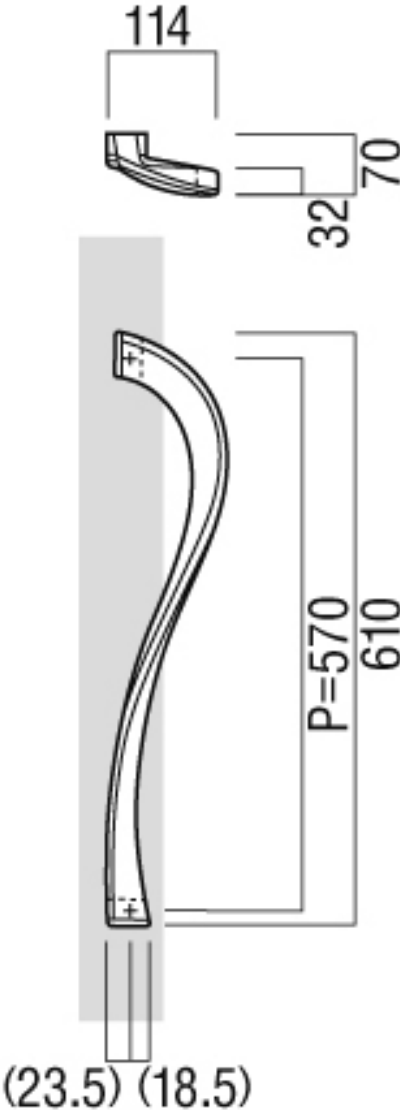


Seamless fusion of style and functionality as the Square Unicast Handle becomes a striking focal point on your doors. With its timeless elegance and impactful presence, Sakura Handle adds a touch of sophistication to any space.



TECHNICAL SPECIFICATIONS

Material: Unicast(Aluminum), Blast, Anodized
Finishing: Pale Gold

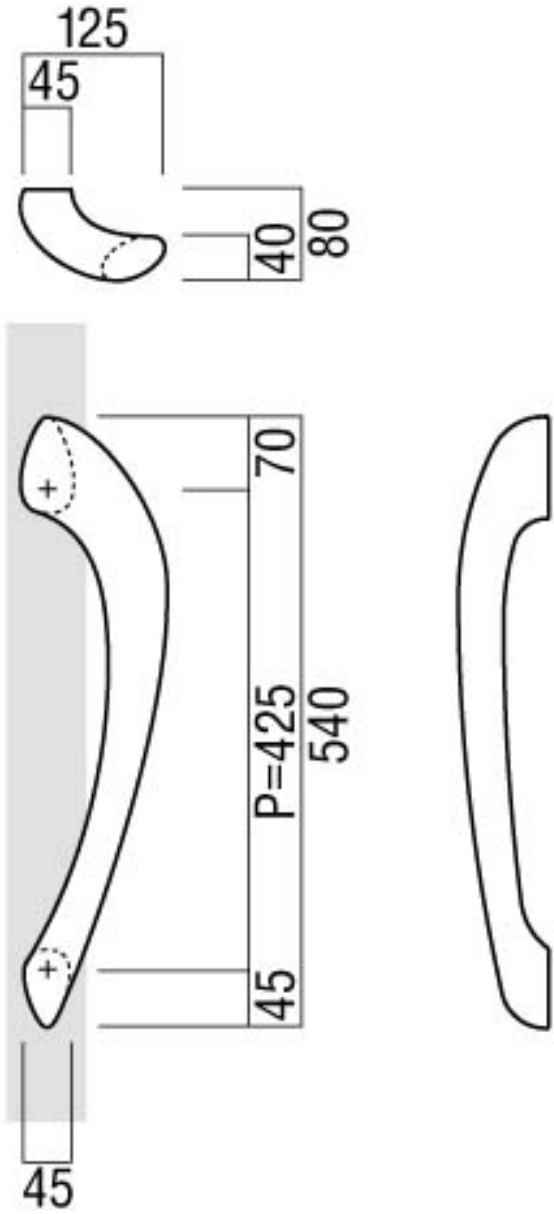


THE UNIWOOD CURVED



TECHNICAL SPECIFICATIONS

Material: Uni-Wood(Antibacterial Compressed Wood)
Finishing: Brown



THE UNIWELL



THE UNIWELL HANDLE

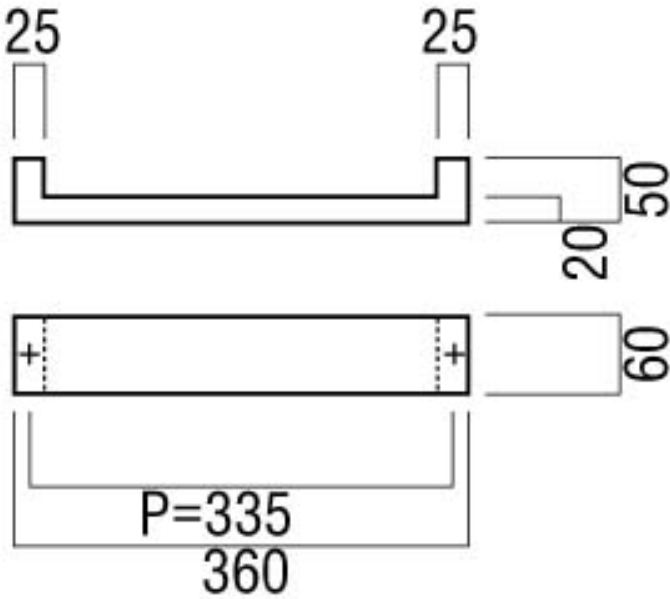
Dare to be different with The Uniwell Handle.

Created with



TECHNICAL SPECIFICATIONS

Material: Japanese Cast Iron (NAMBU-TETSU), Baked Finish
Finishing: Iron Rusted Color



THE BISMUTH



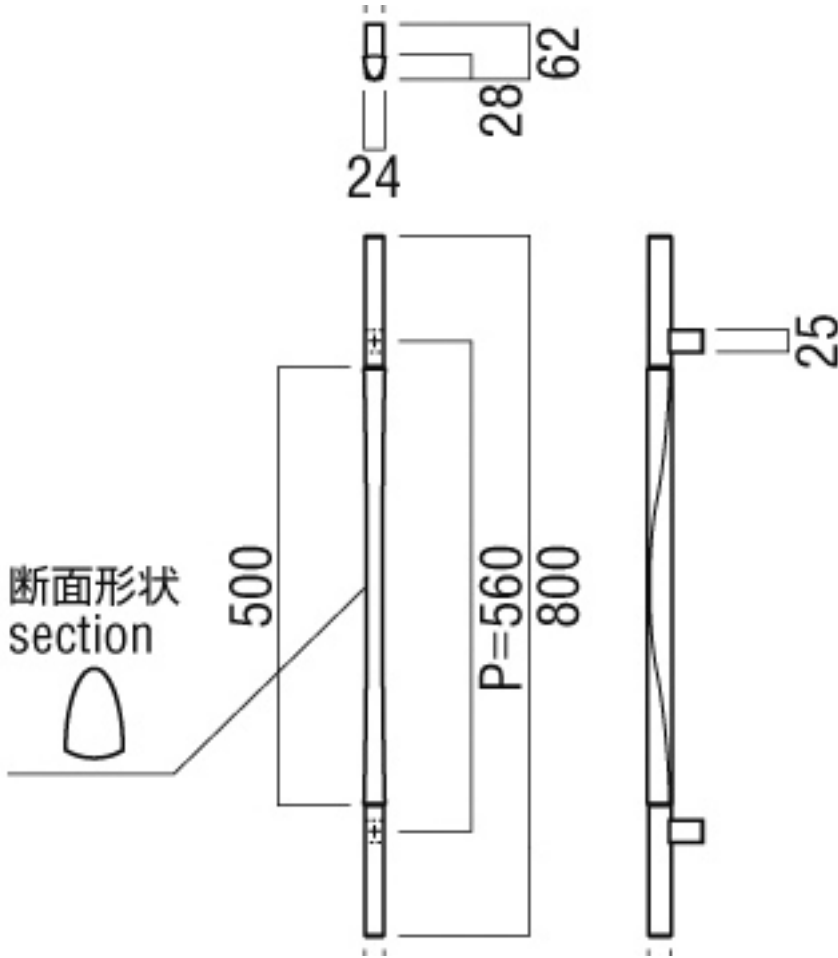
THE BISMUTH

The sleek and robust door hardware features a flexible yet elegant design. Its triangular shape, combined with the bismuth black handle, highlights a unique form and striking contrast achieved through innovative material techniques.



TECHNICAL SPECIFICATIONS

Material: Unicast(Aluminum), Rough Blast, Anodized,
Black & Aluminum, Anodized
Finishing: Silver Color



THE UNIWOOD



UNIWOOD HANDLE

Meticulously crafted using Japanese Compressed Wood and treated with a unique wax coating. These handles not only possess anti-bacterial properties but also offer exceptional weather resistance. As a result of their premium material, each handle showcases the natural and authentic wood grain, adding a touch of elegance to any space.

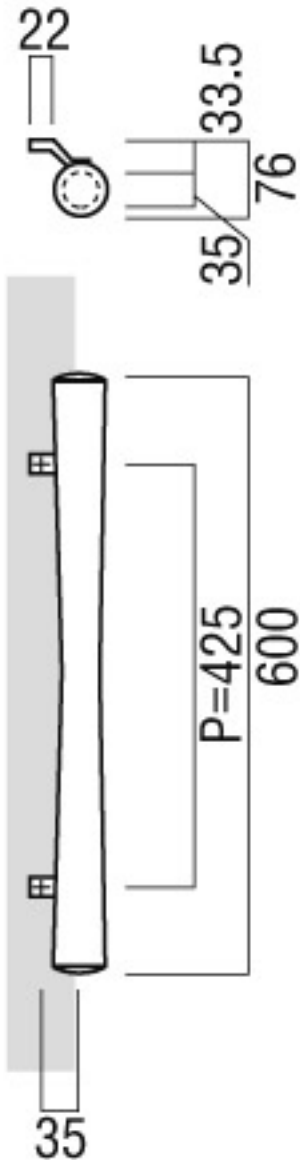






TECHNICAL SPECIFICATIONS

Material: Uni-Wood(Antibacterial Compressed Wood),
Brown & Aluminum, Anodized
Finishing: Silver Color



THE NAMBU TETSU



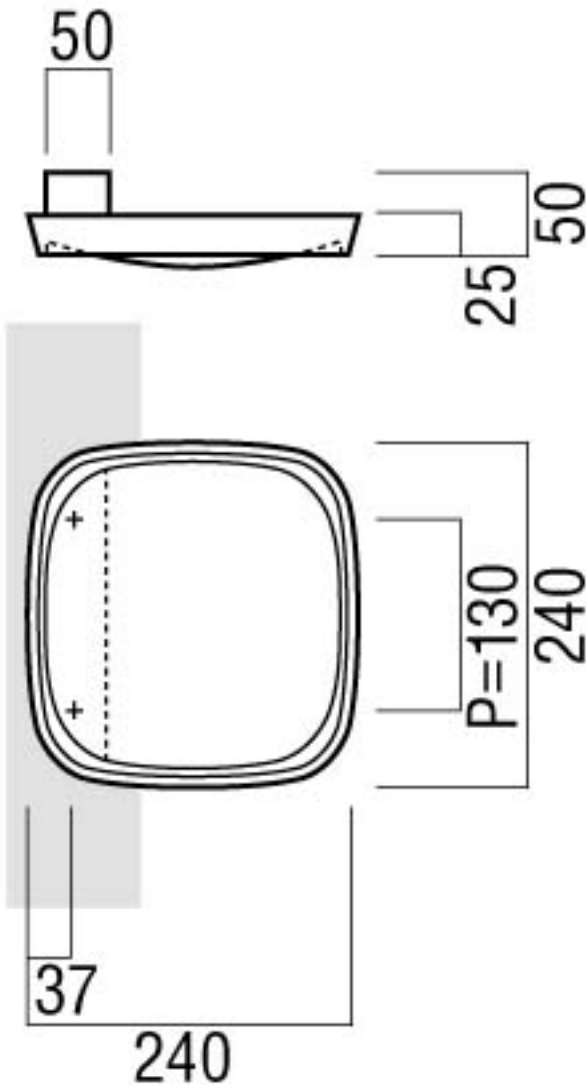
NAMBU TETSU SQUARE HANDLE

The Nambu Tetsu Square Handle is a versatile design that seamlessly transitions between classic and contemporary aesthetics. Its simple yet striking geometric shape captures attention. With a beautiful brown baked finish, this handle brings natural wood textures to life, adding warmth and charm to any door it adorns



TECHNICAL SPECIFICATIONS

Material: Japanese Cast Iron
(NAMBU-TETSU), Baked Finish
Finishing: Brown



THE ACRYLIC



PRACTICAL STYLE , MODERN TWIST

The innovative Mat Polycarbonate handle from UNION Corporation Japan goes beyond its functional purpose as a door handle. It cleverly incorporates ventilation features without requiring a visible grille, ensuring a seamless and uncluttered design. Furthermore, its installation is hassle-free, thanks to concealed screws that remain unseen, adding an element of magic to its overall appeal.

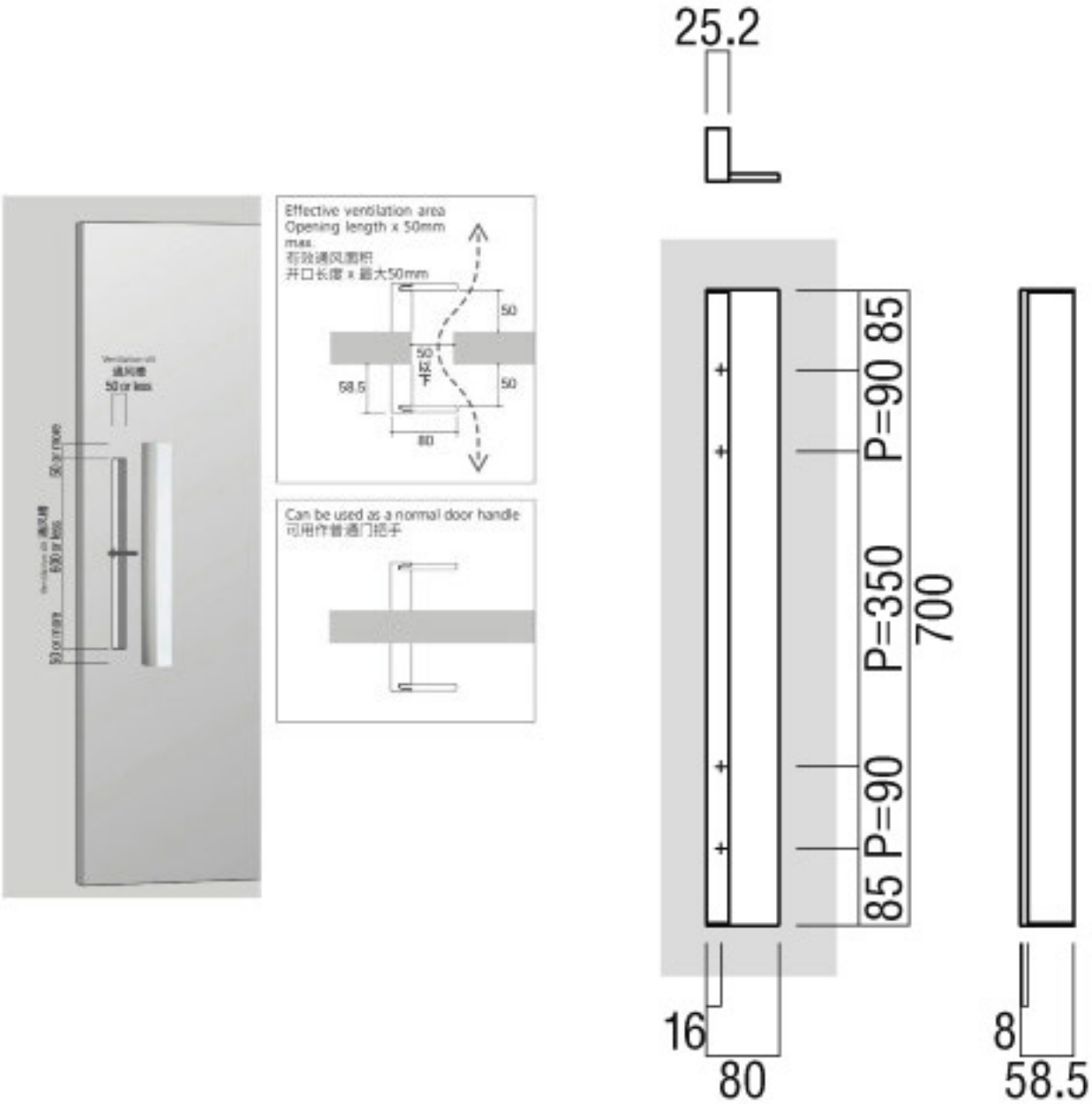




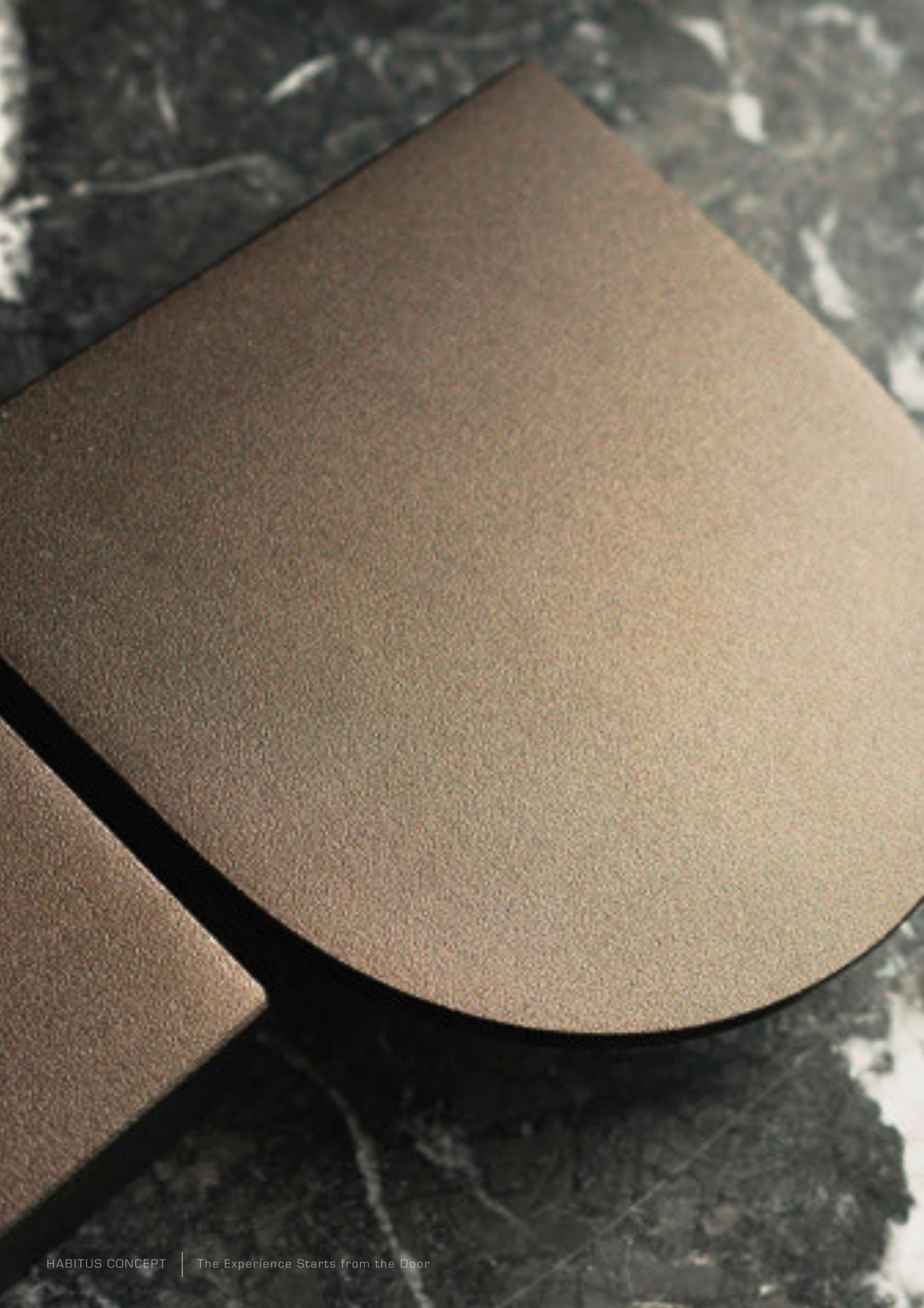


TECHNICAL SPECIFICATIONS

Material: Aluminum Anodized |
 Unifrost Anodized
 Finishings: Pale Gold | Black



THE TADAO



AT ONE WITH ALL, THE ESSENCE OF HARMONY.

Introducing The Tadao Handle, designed by
Japanese architect Tadao Ando.
Perfect for small doors, one-side-only hidden
doors and wardrobes.
Made of Aluminum Anodized for durability.
Lightweight yet rugged, an elegant artware to
enrich hearts, minds and souls.

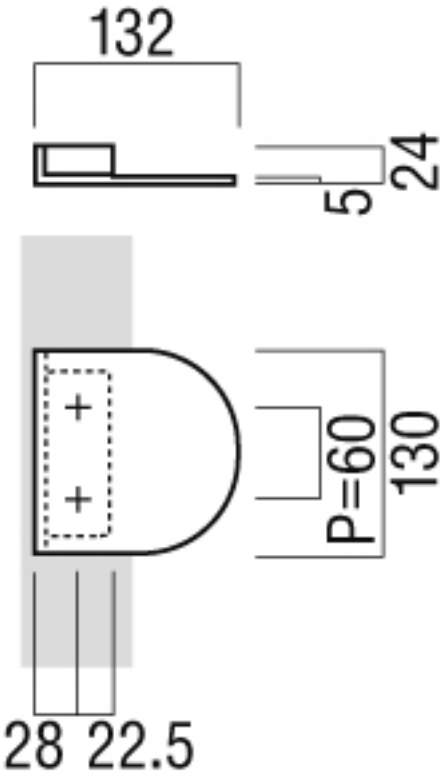






TECHNICAL SPECIFICATIONS

Material: Unicast(Aluminum) | Blast | Anodized
Finishings: Silver | Umber | Black | Grey



THE ANDO



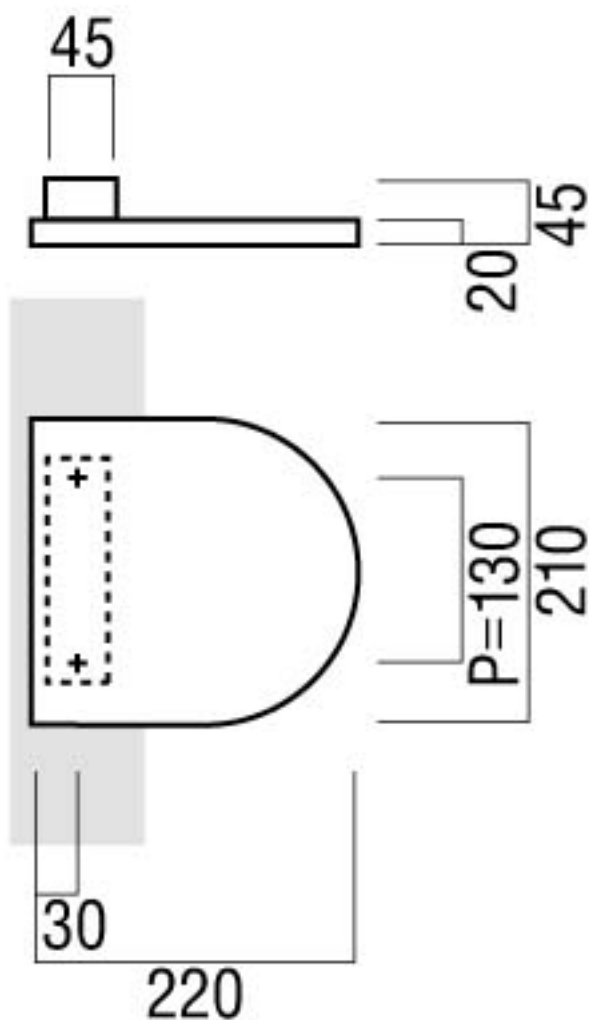






MEET THE BIG BROTHER

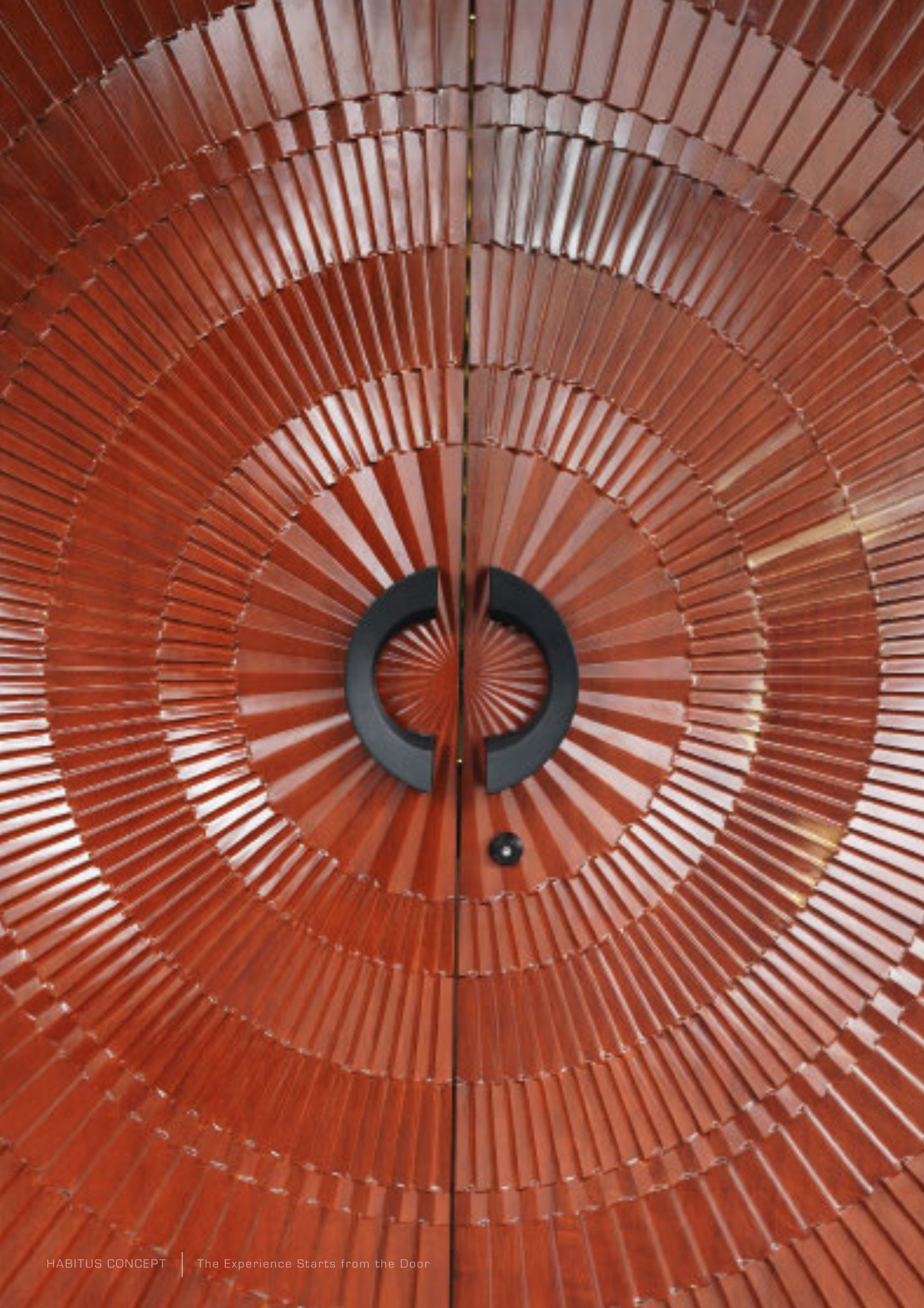
Your doors deserve the very best and we've found just that. Inspired by the Tadao handle, this series will give you a larger grip fitting for bigger passing doors. Various in colours, it's the perfect addition for your vibrant interiors.





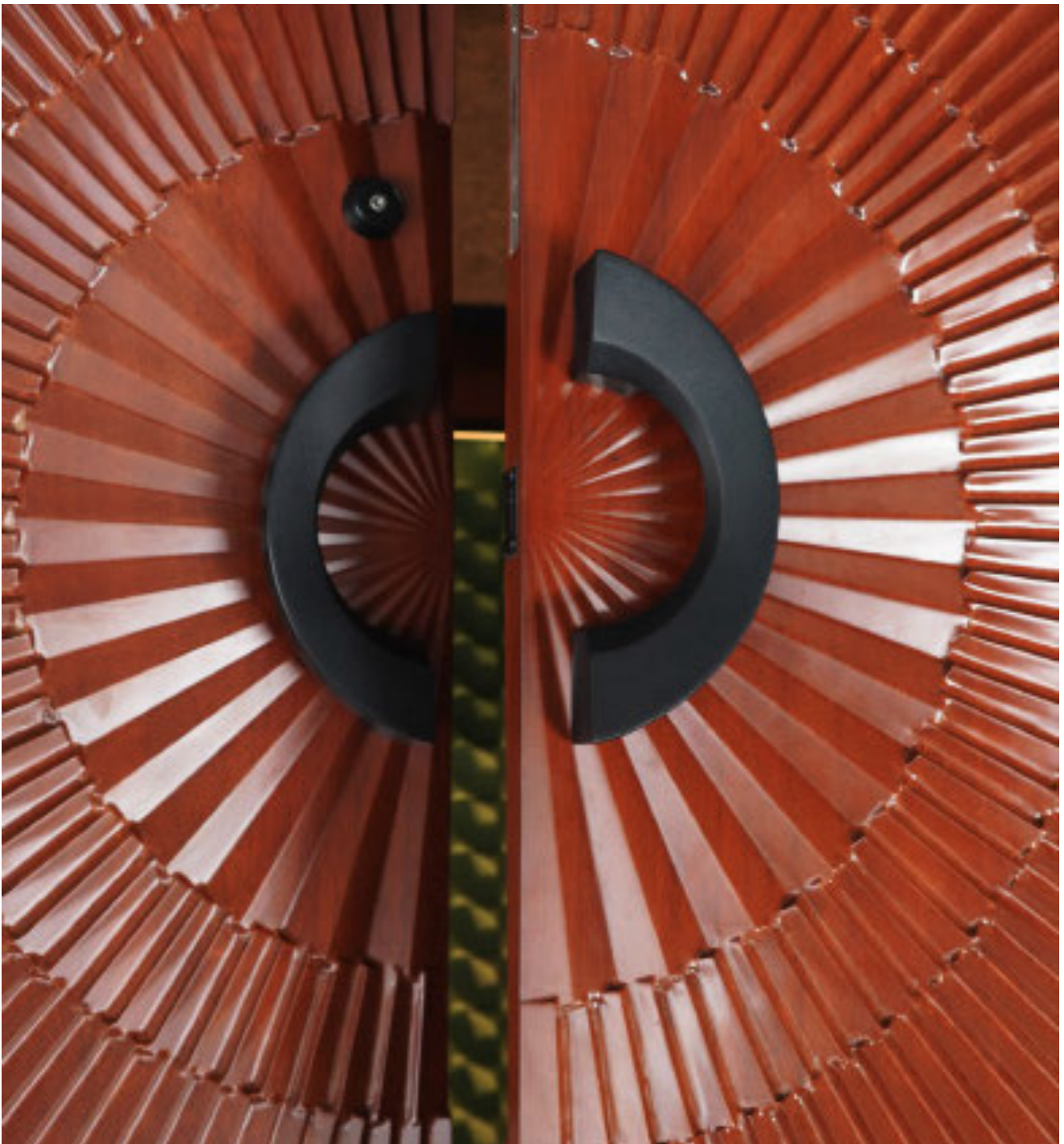


THE MOON



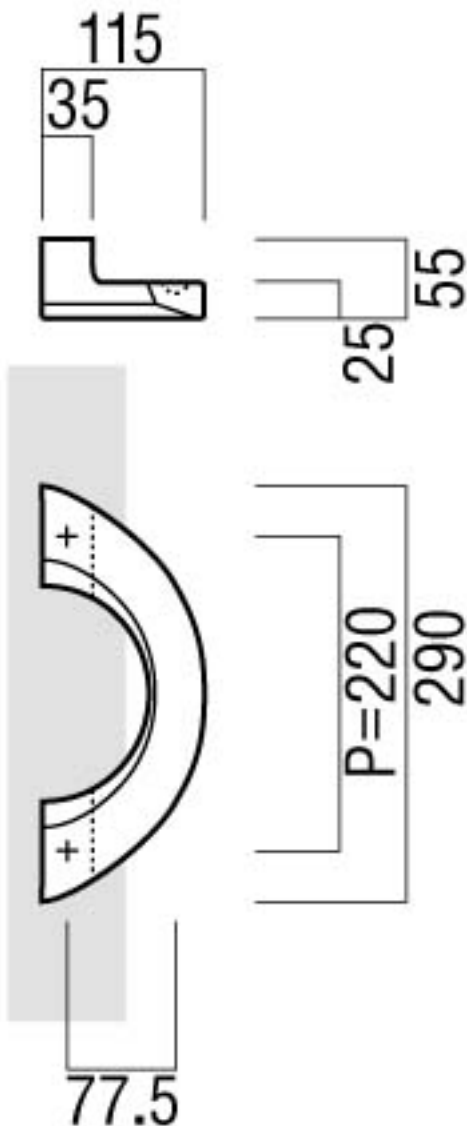
SAY HELLO TO MR. MOON

Appreciate elegance with The Moon Handle from Pols Potten. Make a statement with this powerful and jaunty design. Designed to last, this handle are made of weather resistant materials. Available in various finishes, this handle offers diverse customizations.



TECHNICAL SPECIFICATIONS

Material: Aluminum Anodized | Unifrost Anodized
Finishings: Pale Gold | Black



THE SQUARE IRON



THE SQUARE IRON HANDLE

An innovative approach that blends refined craftsmanship of Japanese cast iron that seamlessly connect onto doors. Elevate beauty by adding minimalistic sensibility of The Square Iron handle as accents.

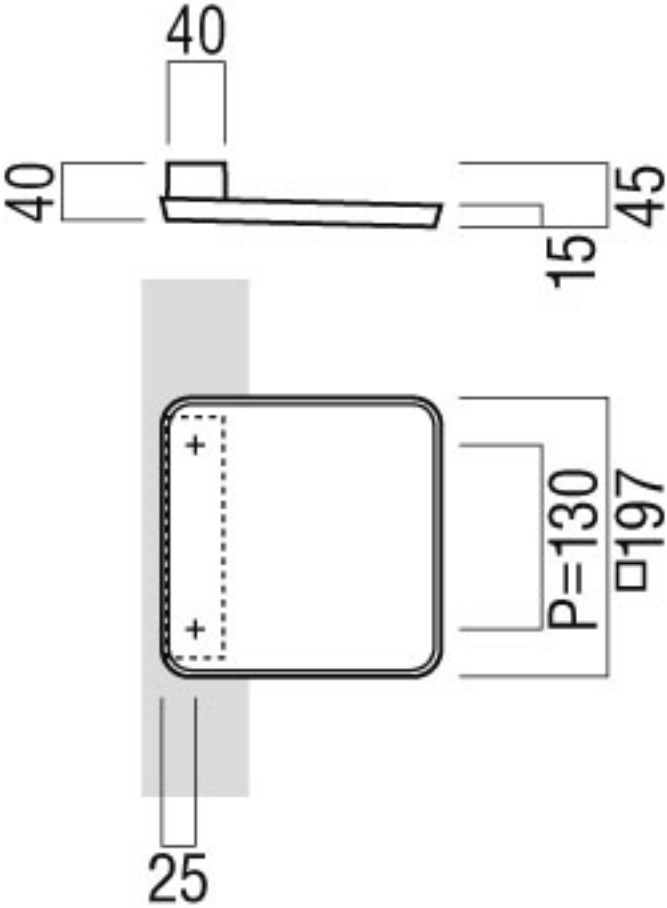






TECHNICAL SPECIFICATIONS

Material: Aluminum Anodized | Unifrost Anodized
Finishings: Pale Gold | Black



THE INFINITY

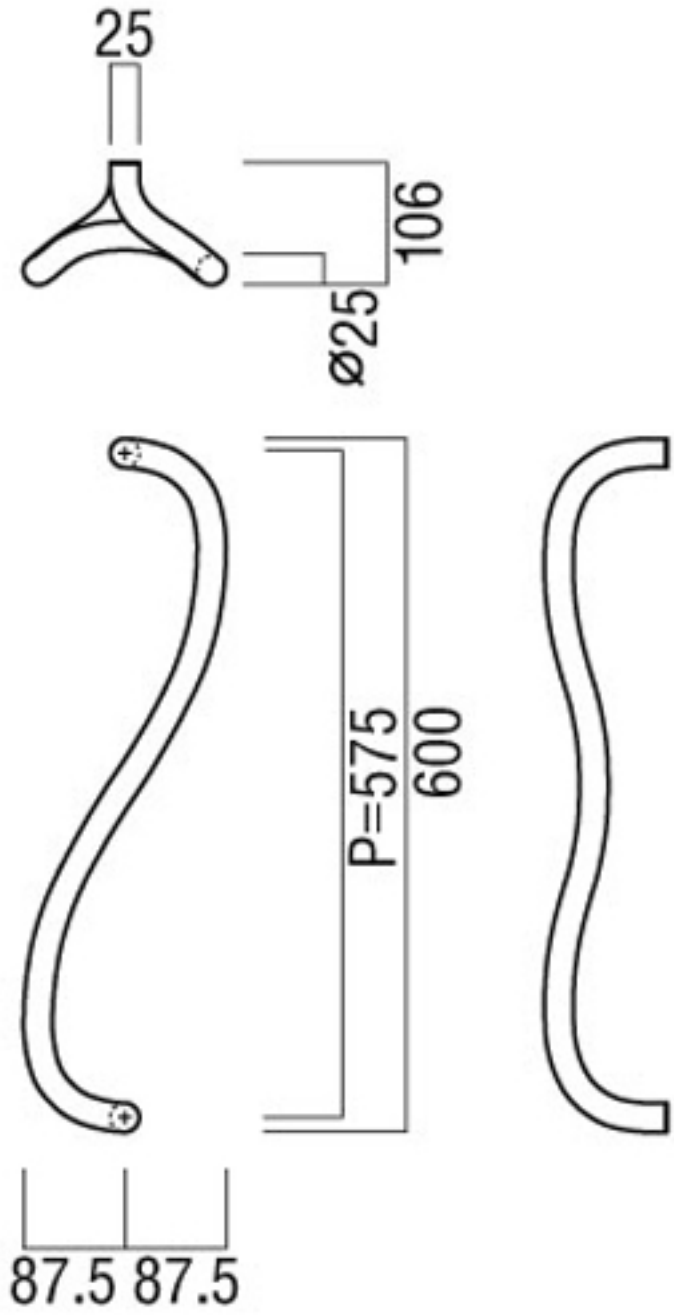






TECHNICAL SPECIFICATIONS

Material: Stainless Steel,
Finishings: Polished



THE HEXA BLACK

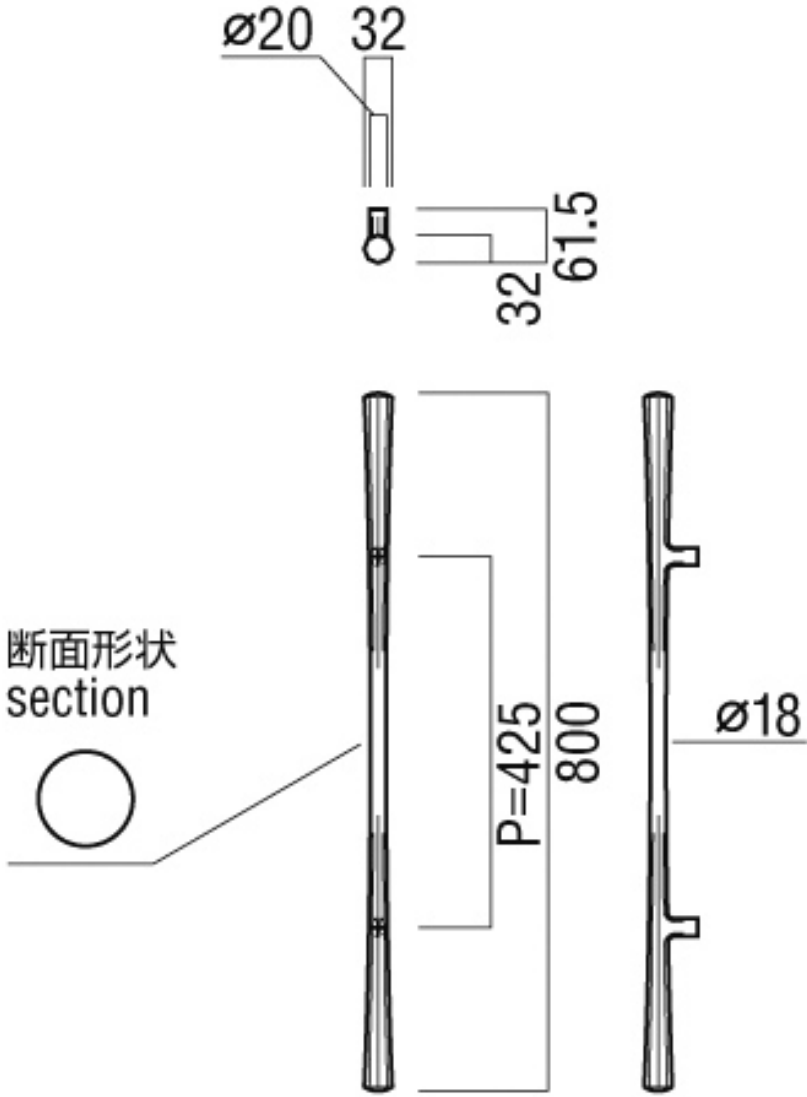






TECHNICAL SPECIFICATIONS

Unicast (Aluminum), Baked Finish, Gloss Black



HYGIC HANDLES





Experience Starts from the Door

KEEP YOUR LOVED ONES SAFE WITH THE HYGIC HANDLES.

Self regeneration of virus deactivators with proprietary technology. This handle employs an antiviral resin developed for facilities used by large numbers of people. Serving to inactivate bacteria and viruses, it was created from the user's perspective with a form that is followed rather than gripped by the hand.

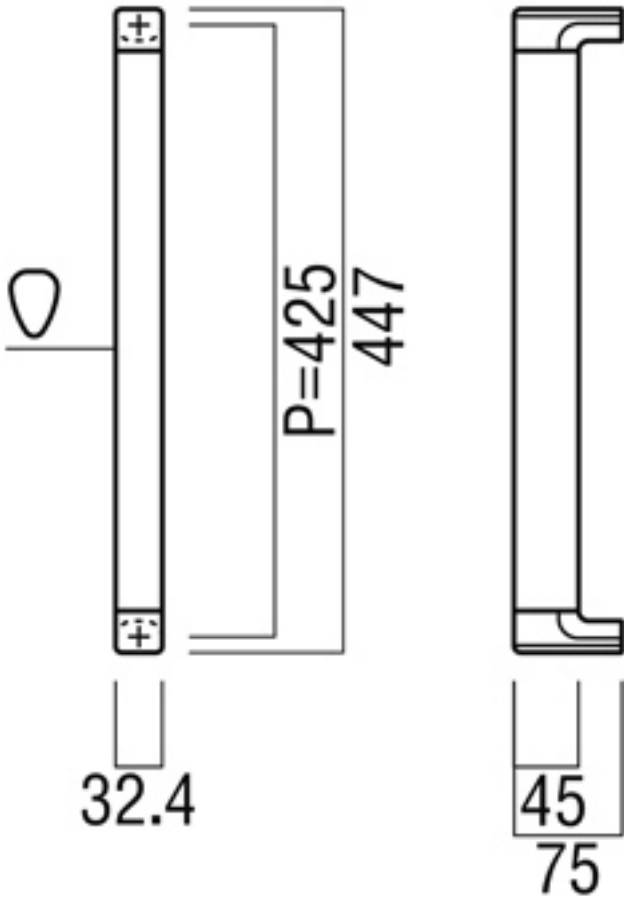


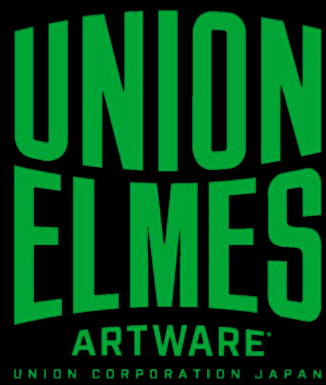


Interior view of a modern building with a glass door.

TECHNICAL SPECIFICATIONS

Material: PVC, Hygic Plain White & Aluminum,
Baked Finish
Finishings: White





SLIDING DOORS



40MM
THE KEY
NUMBER FOR
SLIDING DOORS
THICKNESS

SMOOTH OPERATIONS

An innovative approach that blends refined craftsmanship of Japanese cast iron that seamlessly connect onto doors. Elevate beauty by adding minimalistic sensibility of The Square Iron handle as accents.

DURABILITY

Our experience shows that greater weight stresses the sliding rails no matter the type specified. Durability is greatly increased when the weight of the panel is optimized.

WIDER CHOICE OF HANDLES

Most sliding pull handles cater for 40mm panel thickness. This will allow you to have a wider range of handles to choose from.

COMPACT POCKET DOORS

A 40mm panel will only require a 80mm pocket between 2 walls for smooth operations.

HOW DO
YOU WANT
TO SLIDE?

MANUAL

Entry level system which can fit both glass or timber doors. Max 140kg. Focus on durability and ease of installation.

SOFT CLOSING

Advanced level system which accommodates for metal doors as well. Max 150kg. Focus on smooth and silent soft opening and closing, or syncro functions.

REINFORCED

For projects with special requirements, reinforced sliding systems can support panels of up to a maximum of 500kg. Hotel ballrooms utilise such systems.

AUTOMATIC

Modular system in highly customised modules suitable for both residential and commercial projects. Silent, customisable opening and closing speeds with quick and simple installation. Maintenance is highly simplified.





SLIDING DOOR PREPARATIONS ARE OFTEN OVERLOOKED DURING HOUSE PROJECTS. WRONG SLIDING TRACK SPECIFICATION WILL CAUSE FUNCTIONALITY DISCOMFORT.

Altering the entire panels resulting additional time and cost. With that said, here are the top takeaways we learn from project sites that hopefully can save you from headaches.

Keep in mind that precision is free. All that is required is the attention to details in the early stage of design. We are here to assist. For further inquiry, contact us anytime.









PREGANO
SLIDING
HANDLE
BLACK









KURO SLIDING HANDLE









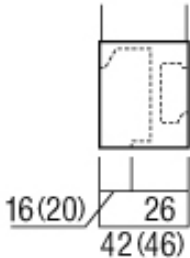




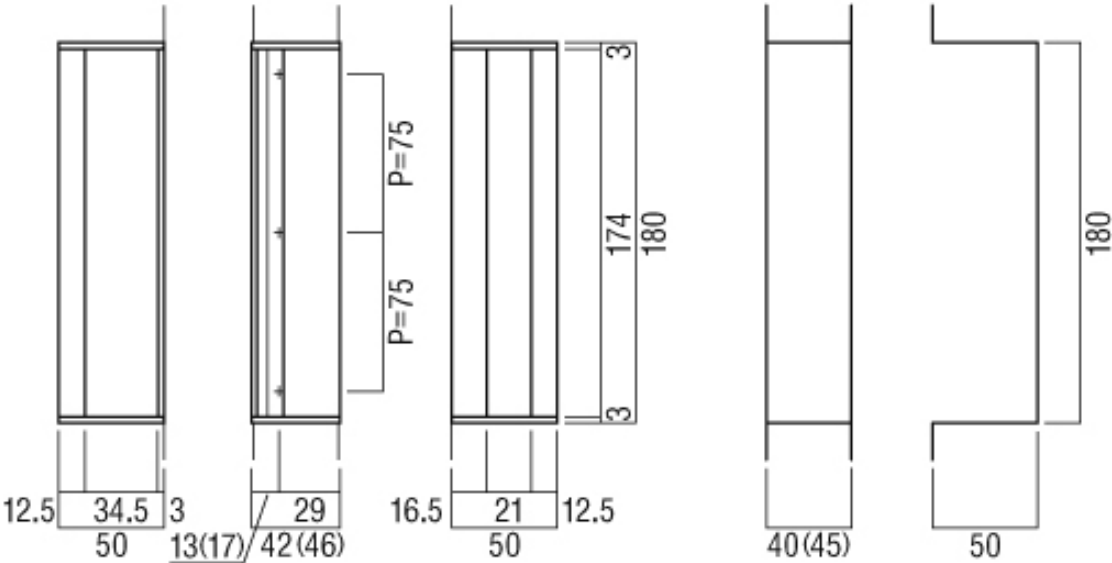
TECHNICAL SPECIFICATIONS

brass, unimist mat black

ドア切カキ図



※()内サイズは45mm用です



THE FLASCALE

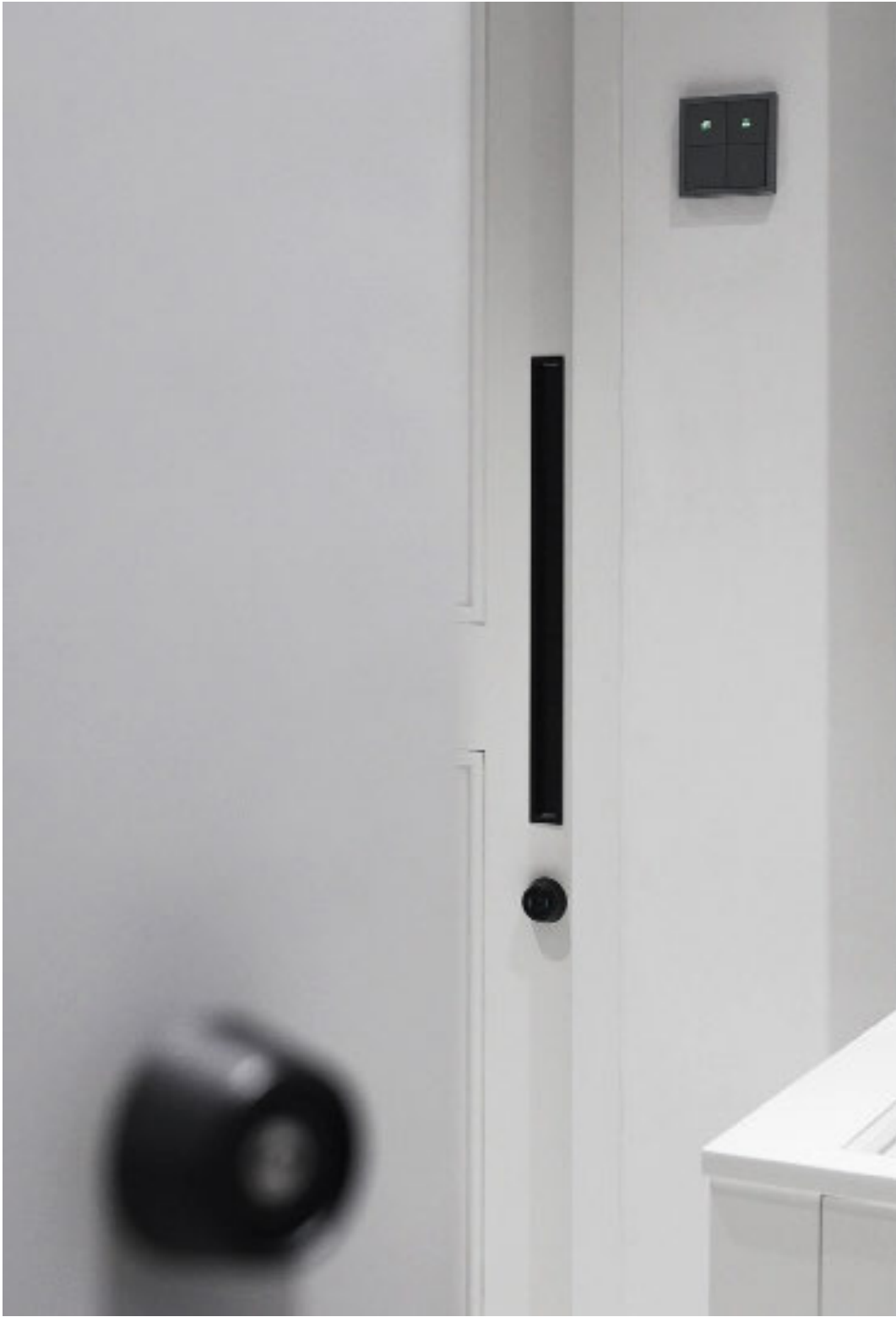


SLIDING DOOR PREPARATIONS ARE OFTEN OVERLOOKED DURING HOUSE PROJECTS. WRONG SLIDING TRACK SPECIFICATION WILL CAUSE FUNCTIONALITY DISCOMFORT.

The entire panels need to be changed that result in additional time and costs. With that said, here are the top takeaways we learn from project sites that hopefully can save you from headaches.

Keep in mind that precision is free. All that is required is the attention to details in the early stage of design. We are here to assist. For further inquiry, contact us anytime.

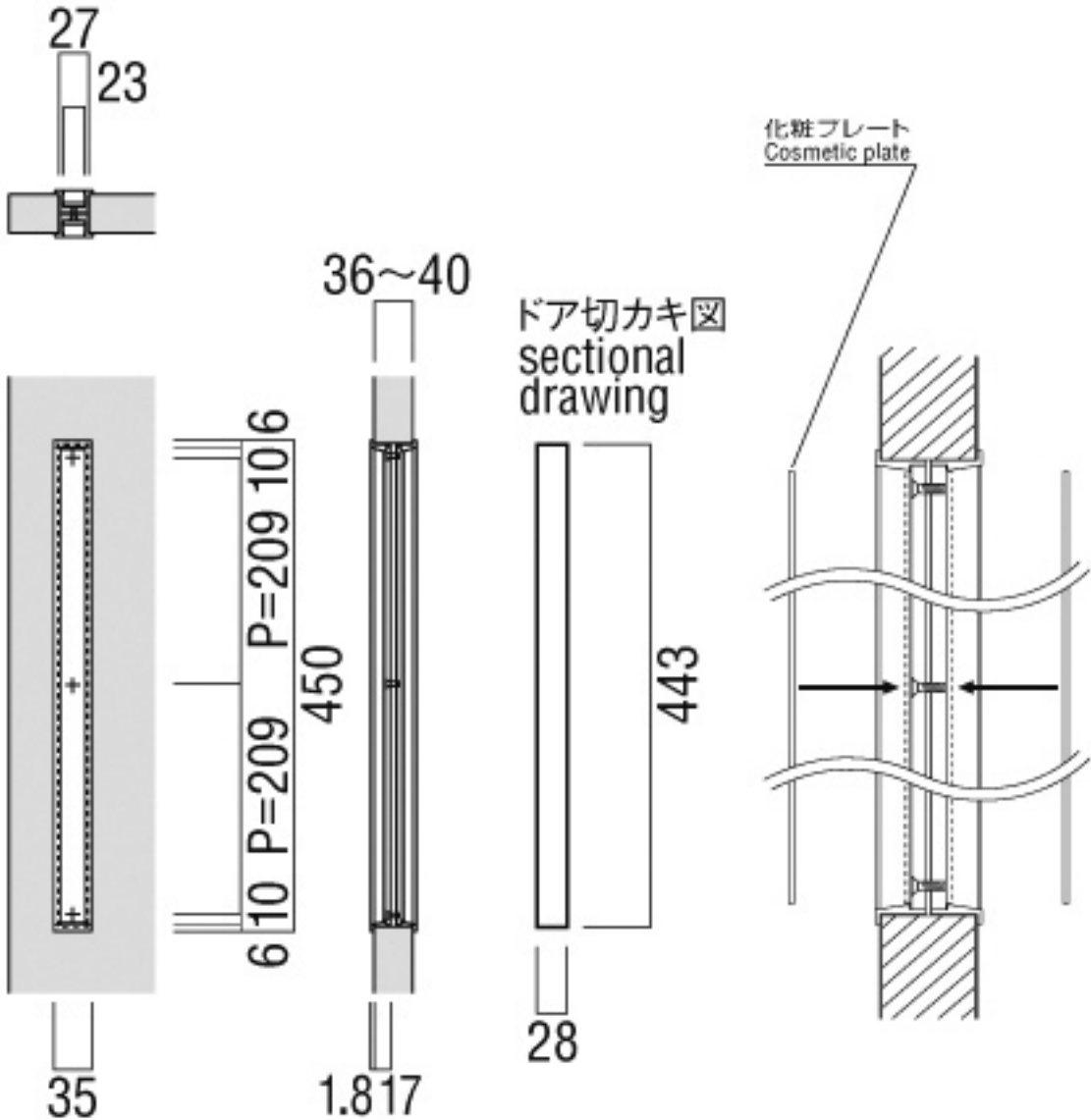






TECHNICAL SPECIFICATIONS

Material: Aluminum, Anodized, Stainless
Finishing: Stainless Steel Color & ABS,
Coating Stainless Steel Color.



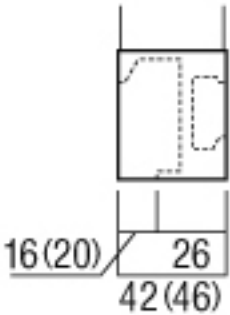
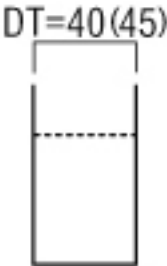




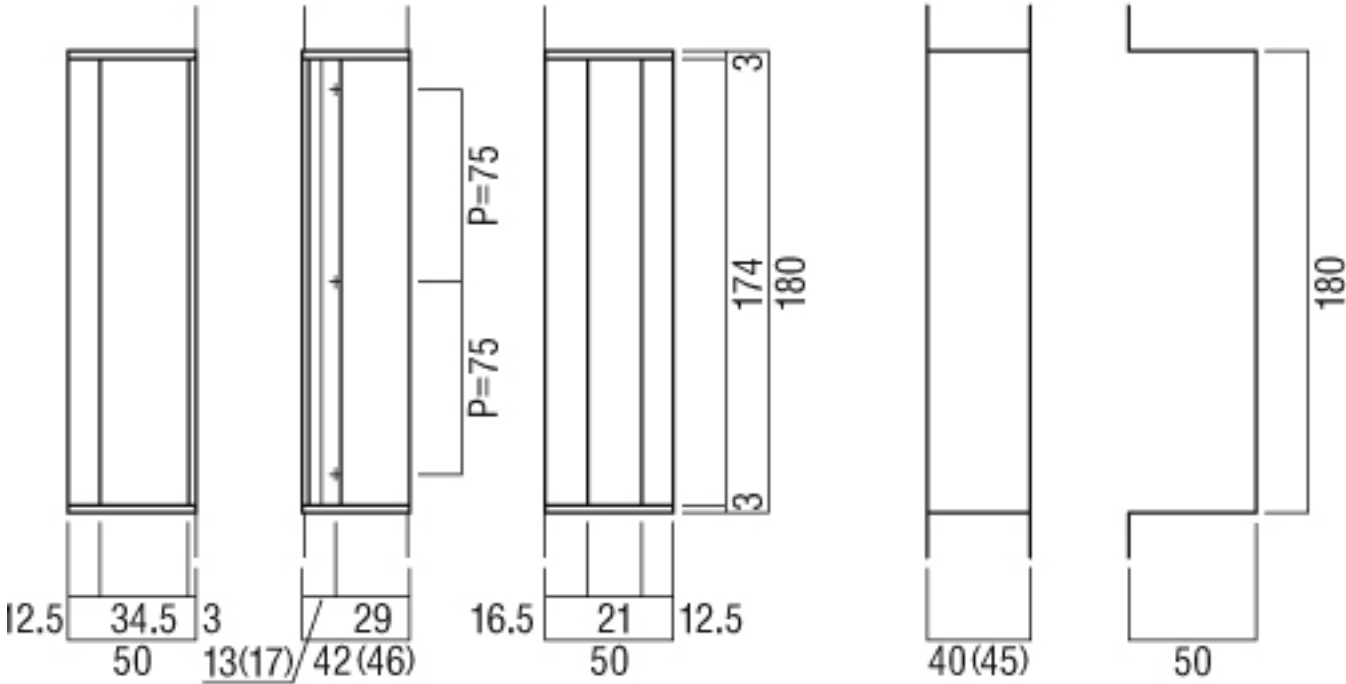
TECHNICAL SPECIFICATIONS

Material: Brass
 Finishing: Unimist, Mat Black

ドア切カキ図



※()内サイズは45mm用です





TRANSFORM ANY SLIDING PANELS WITH THIS BRASS HANDLE.

Cast in solid brass with a chrome-plated finish, this unique handle bears a bone-like quality and is ideal to complement hand-grips during opening or closing of the doors.



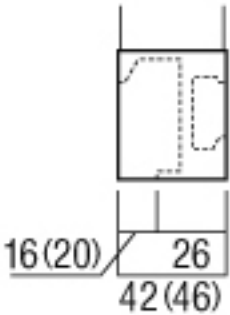
TECHNICAL SPECIFICATIONS

Material: Brass

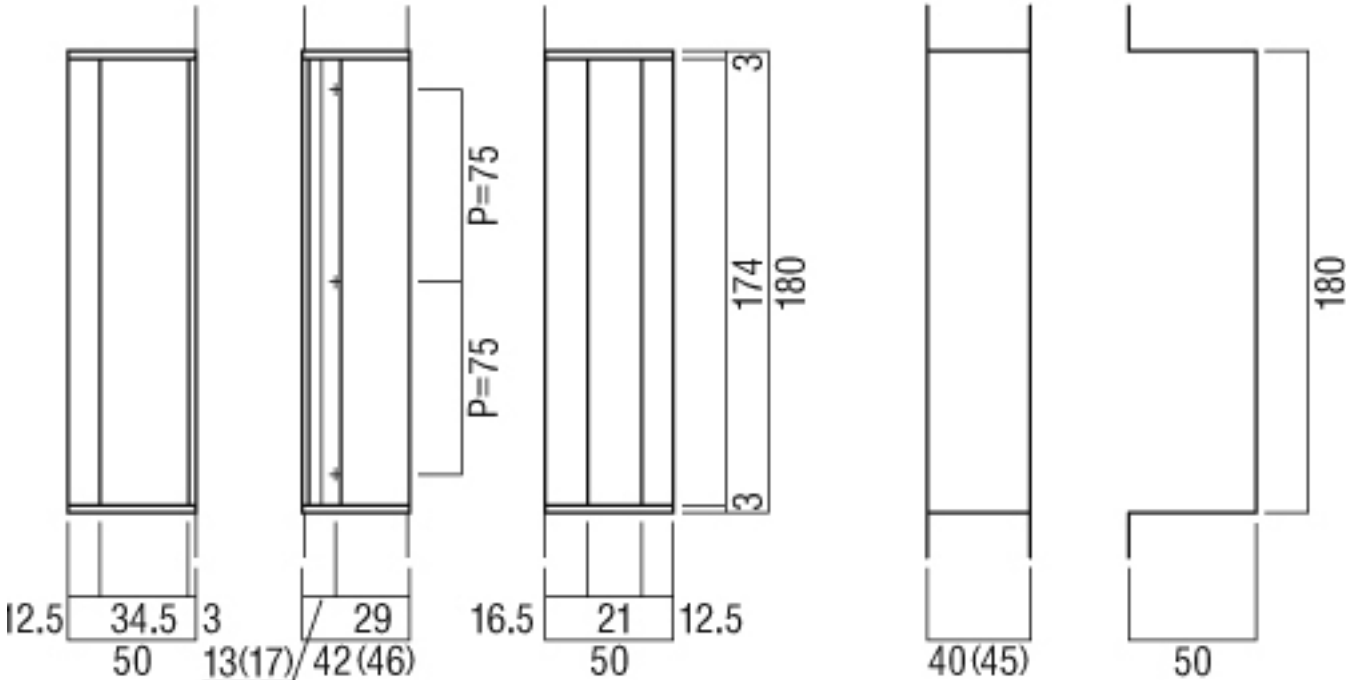
Finishing: Chrome plated

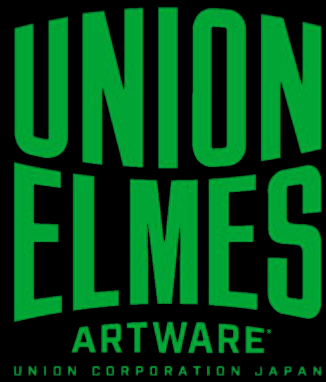
ドア切カキ図

DT=40(45)



※()内サイズは45mm用です





LEVER HANDLES



COMFORT.
GRIP.
STYLE.

ENSURE YOUR
SURROUNDINGS MATCH
A PERSONALITY AND
ALLOW YOU TO ENJOY
YOUR FAVOURITE
ACTIVITIES.

Perfect for coordinating an entire interior
right down to the fine details, our selection of
lever handles essentials are designed to
complement any style.

THE BOTTEGA





MODERN MANUFACTURING TECHNIQUES HAVE ENABLED EXOTIC MATERIALS TO BE UTILISED ON PULL HANDLES AND LEVER HANDLES.

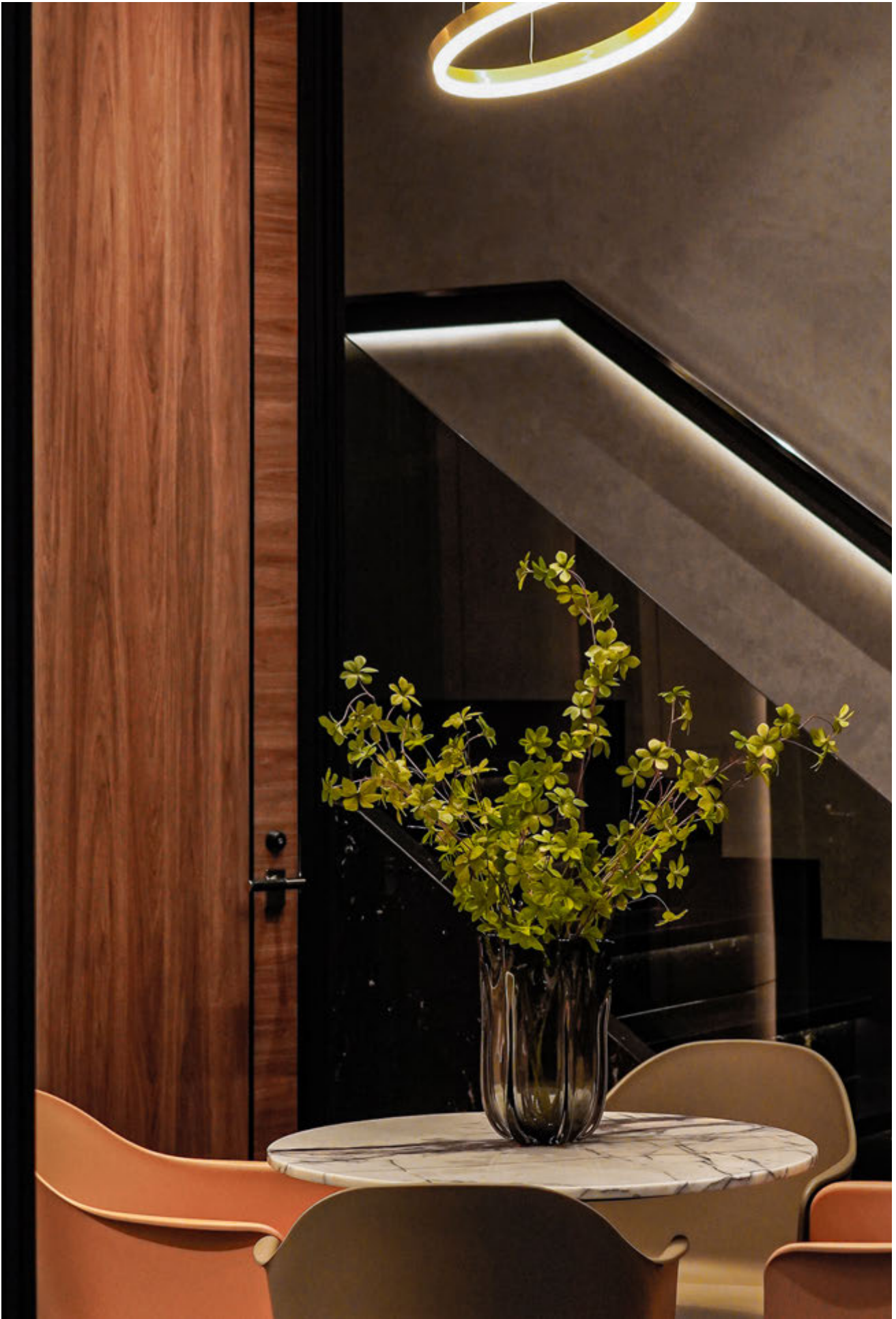
Most considerations involving these materials are its durability after prolonged exposure to the environment and intensive usage in the long run.

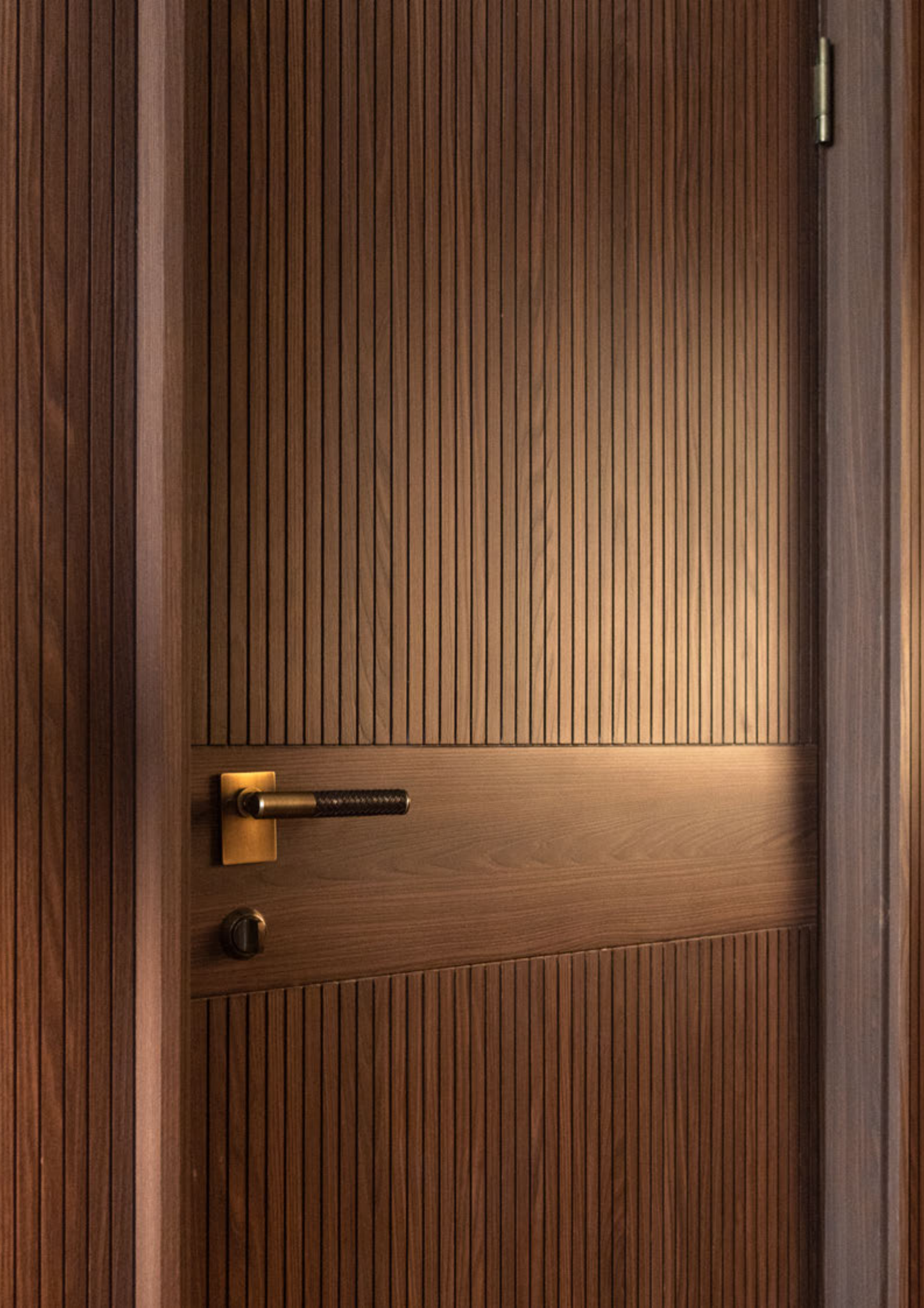
Say hello to the Bottega Handle, featuring breaded Italian leather, handcrafted in Japan. Make them yours today!

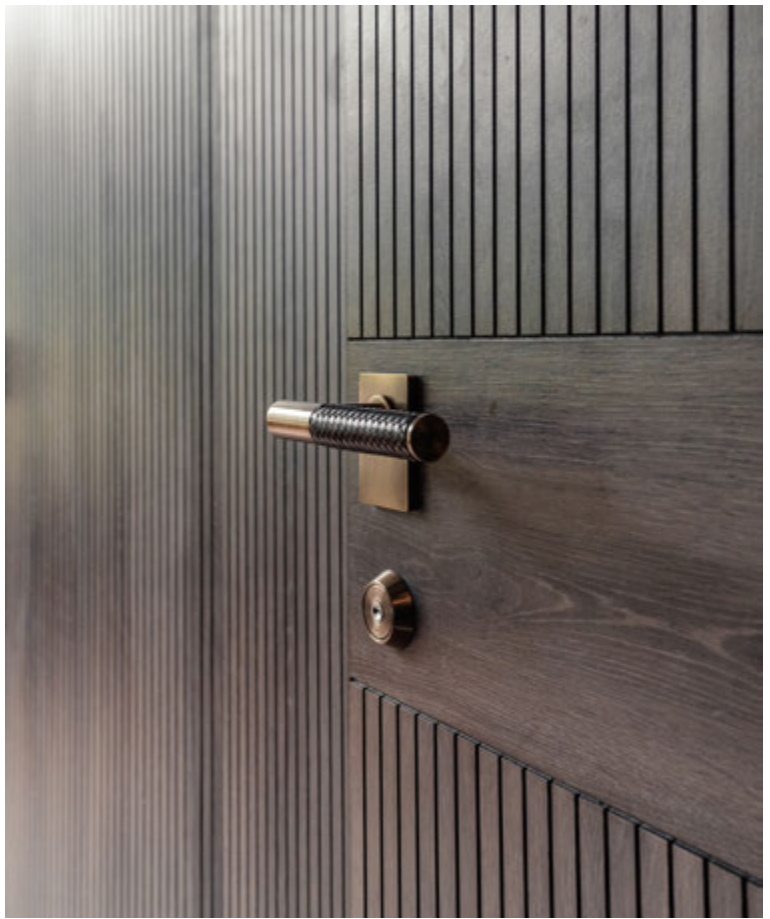






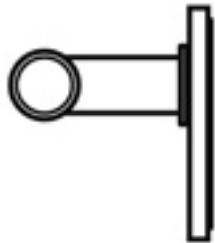
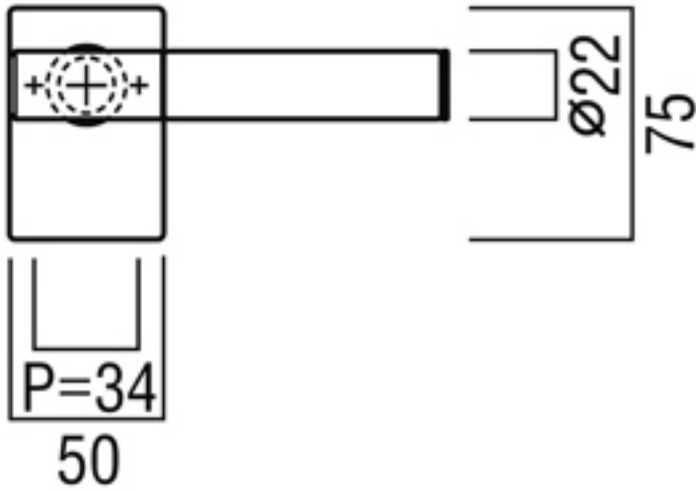
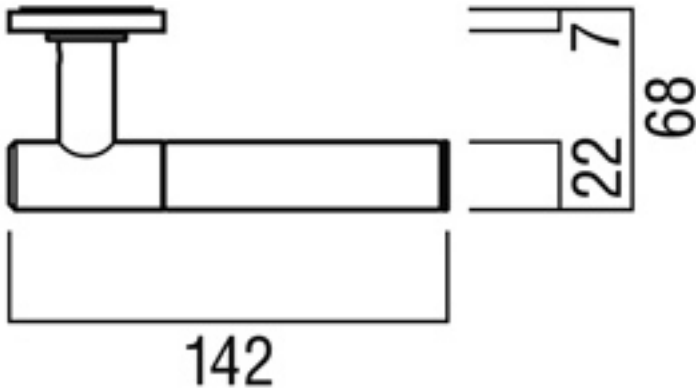






TECHNICAL SPECIFICATIONS

Material: Aluminum, Unifrost, Anodized
Finishing: Black



BAKPAU





ADORN YOUR HOME WITH THE BAKPAU HANDLE.

One of the most renowned names in handle design, Elmes' innovative and creative designs are instantly recognizable and will bring a sense of details to any interior.

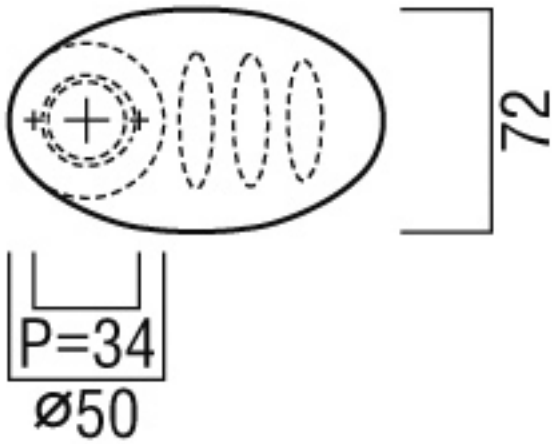
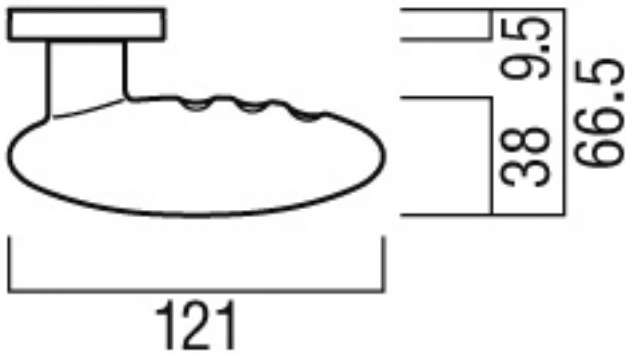
The Bakpau Handle is an iconic and symbols of Japanese design, made with weather-resistant, high-quality aluminum material.





TECHNICAL SPECIFICATIONS

Material: Cast Aluminum, Blast, Anodized,
Finishing: Black, Silver



THE RIZZLE



THE RIZZLE

Complement doors with The Rizzle handle.
Designed with unique slope shape, this cast
aluminum lever handle deliver distinct
aesthetic to liven the room.



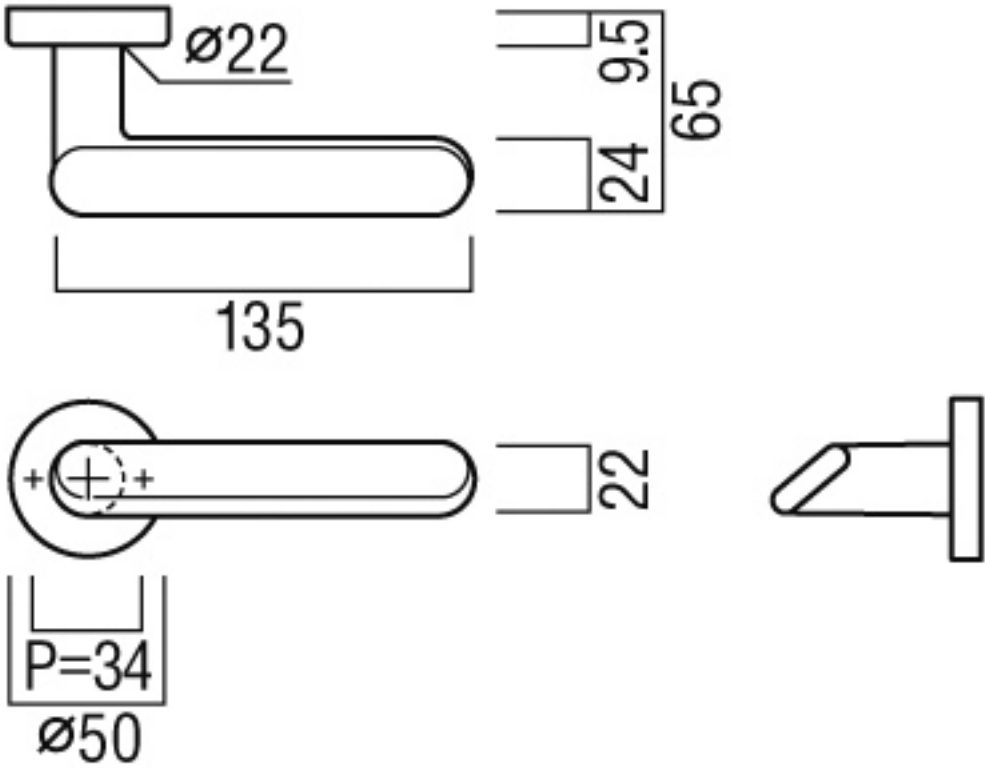






TECHNICAL SPECIFICATIONS

Material: Cast Aluminum, Blast, Anodized
Finishing: Silver, Umber



THE WALNUT



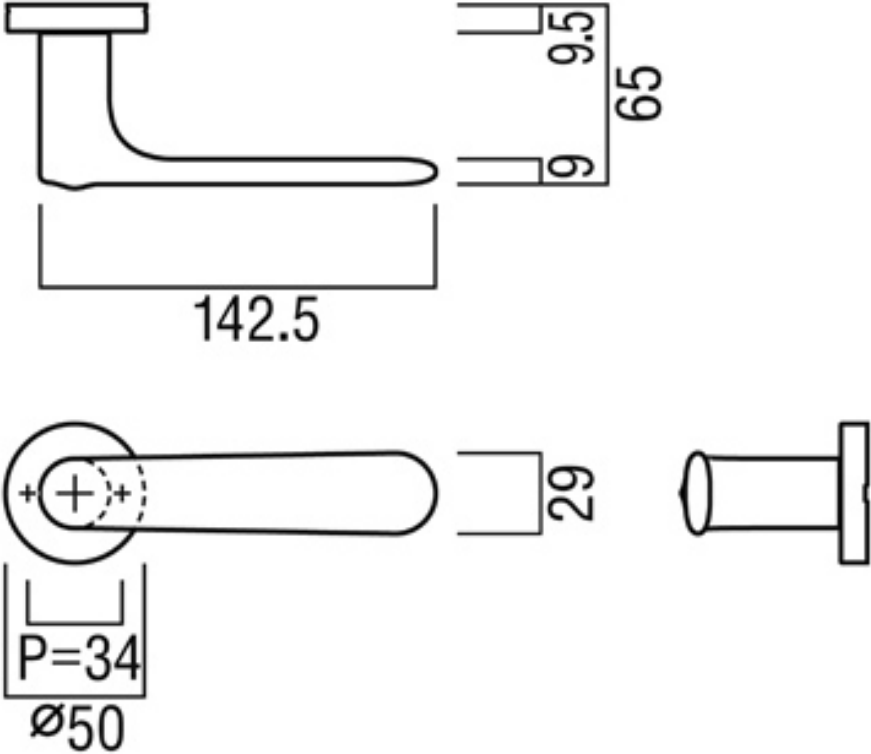






TECHNICAL SPECIFICATIONS

Stainless Steel, Polished



THE BOMB STONE



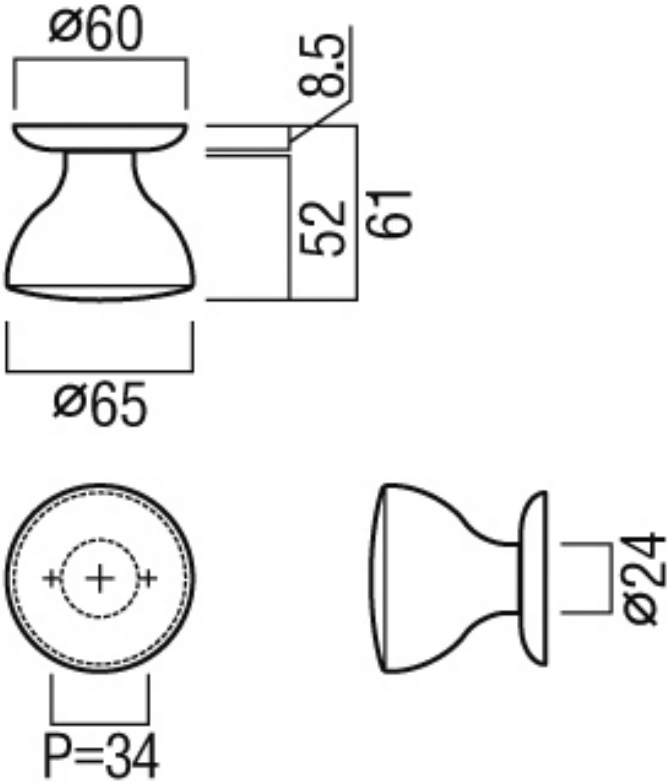






TECHNICAL SPECIFICATIONS

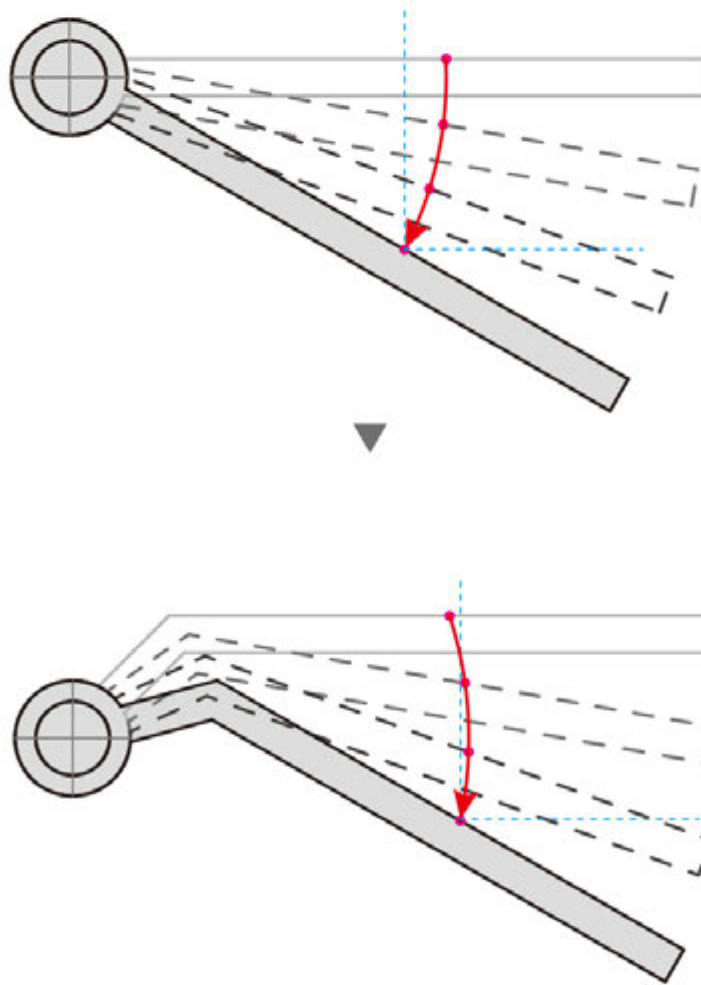
Cast Brass, Stone Blast



THE ASCENDLINE



従来のハンドル



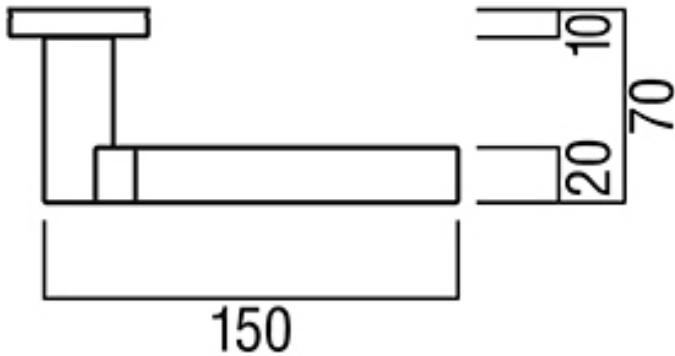
ハンドルストロークが直線的なため、ラッチ解錠に必要な負荷が小さい。





TECHNICAL SPECIFICATIONS

Stainless Steel, Hairline



THE SLAZZ



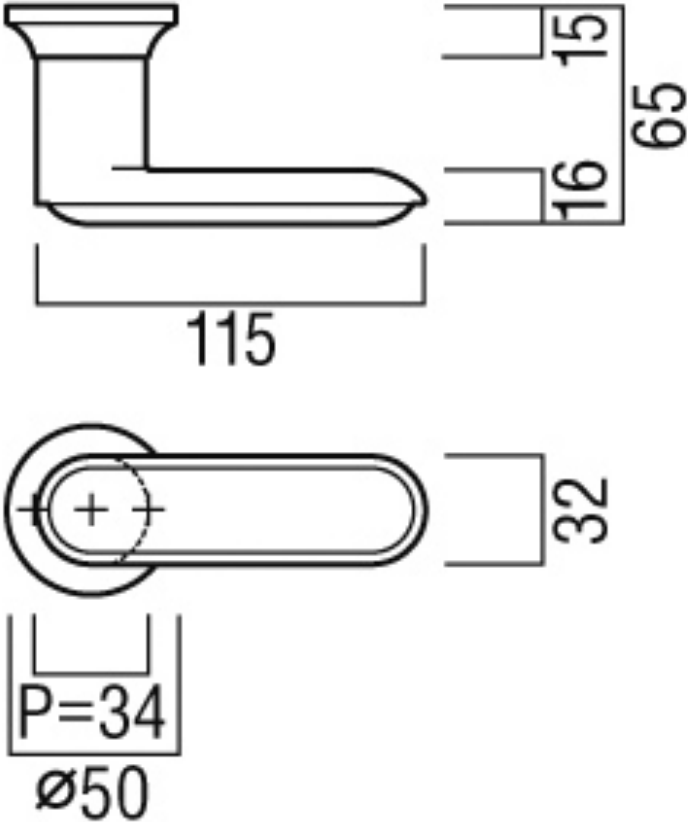






TECHNICAL SPECIFICATIONS

Cast Aluminum, Blast, Anodized, Pale Umber



THE PEEBLE

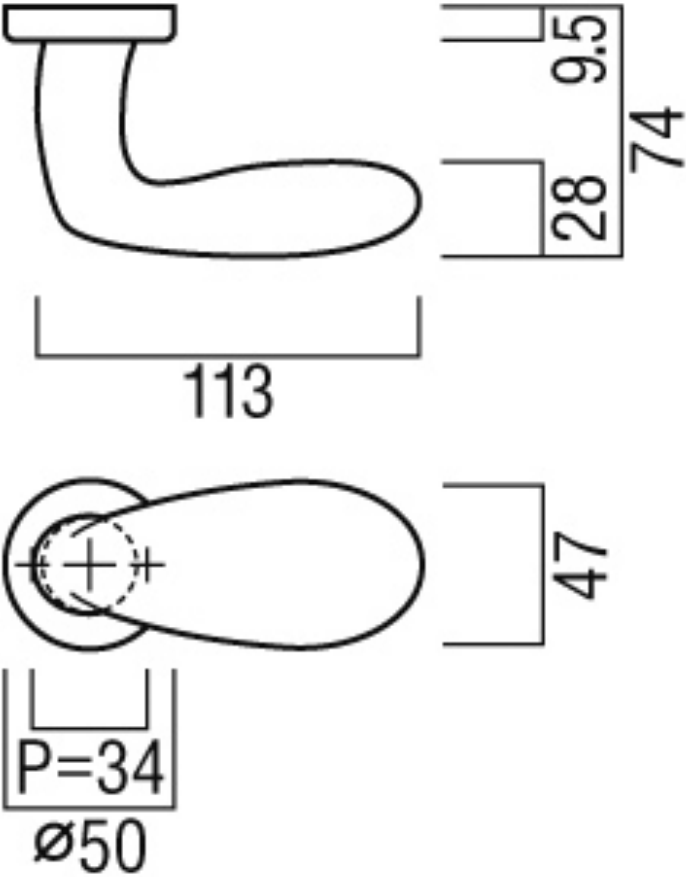






TECHNICAL SPECIFICATIONS

Cast Aluminum, Unifrost, Anodized, Silver Color



ELMES LEVER

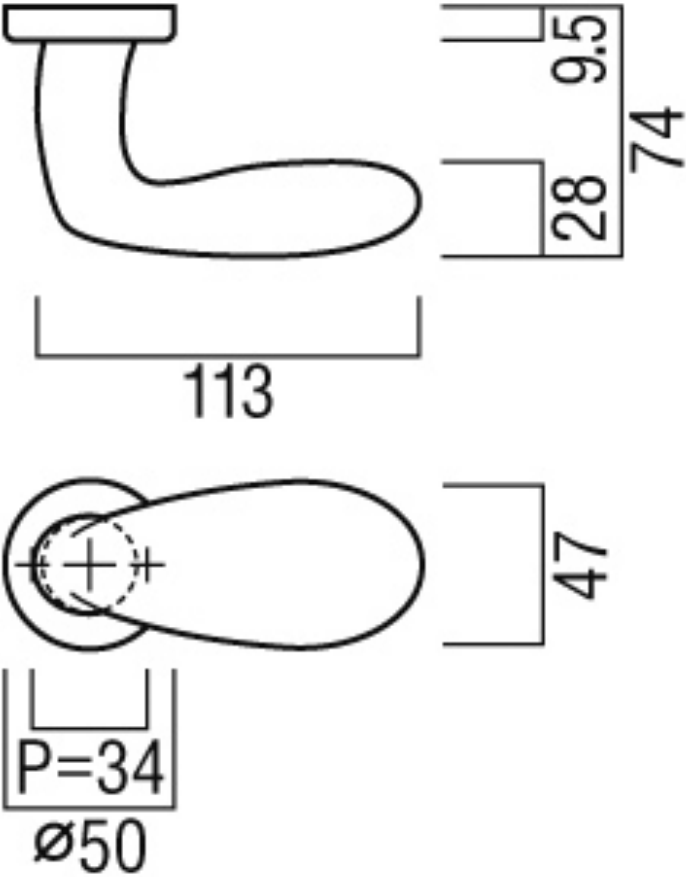






TECHNICAL SPECIFICATIONS

Cast Aluminum, Unifrost, Anodized, Silver Color



THE FLOWERS

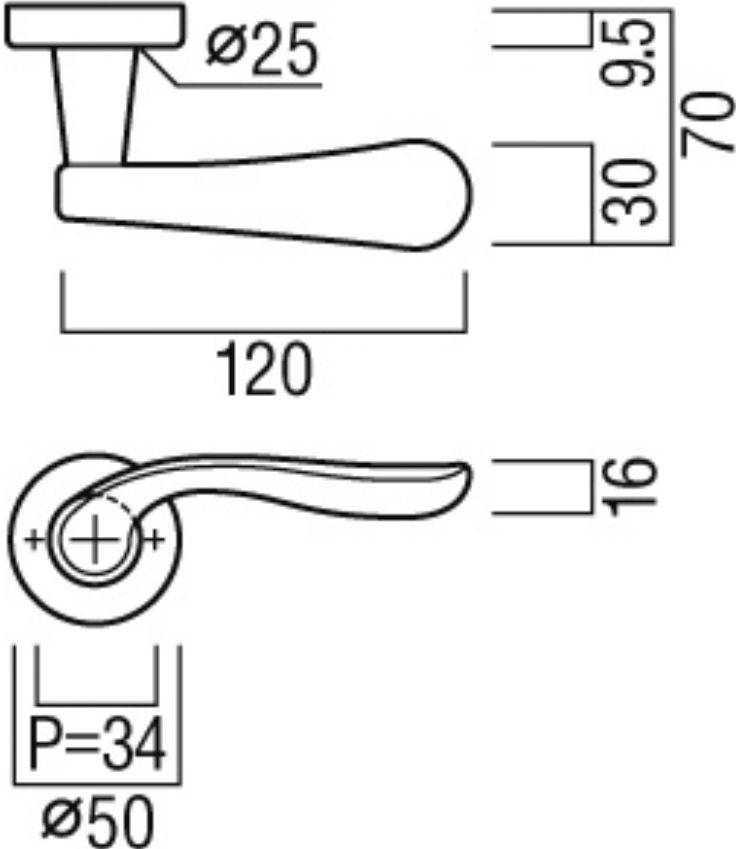






TECHNICAL SPECIFICATIONS

Cast Aluminum, Anodized, Silver Color



THE OVAL TUBE

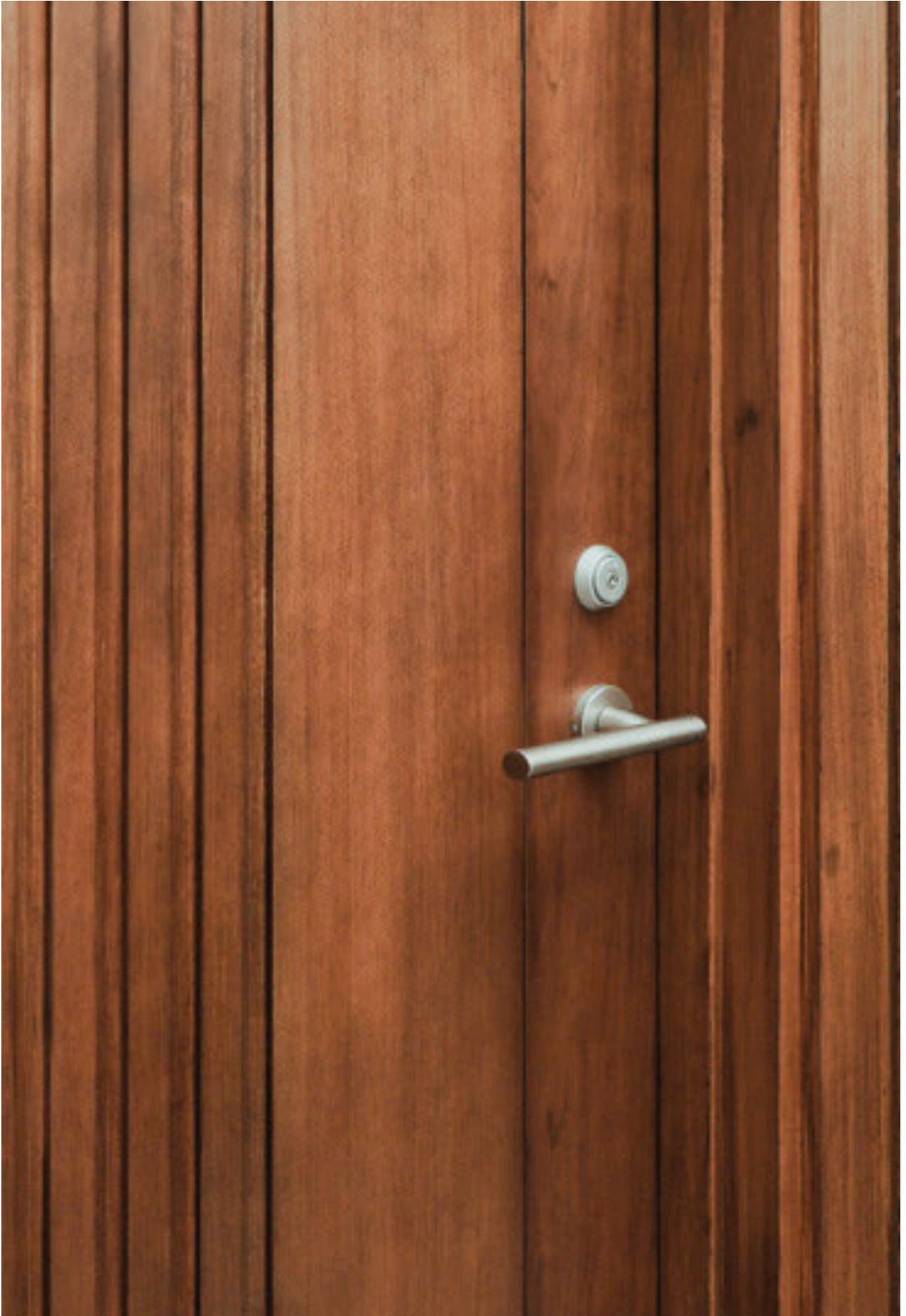










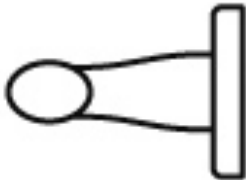
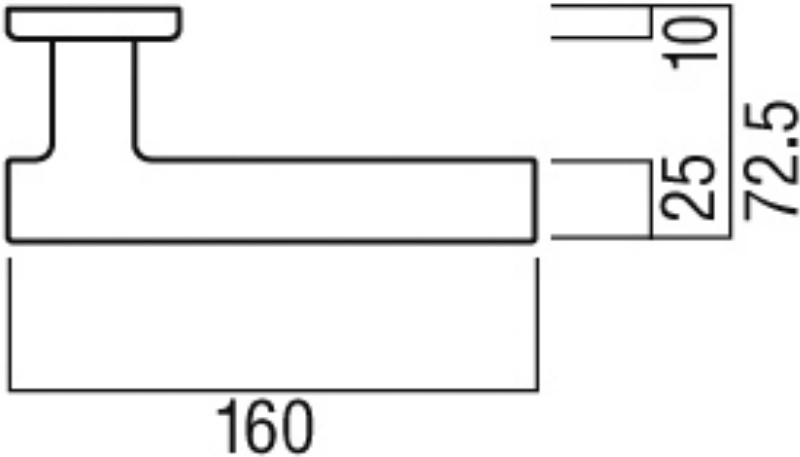






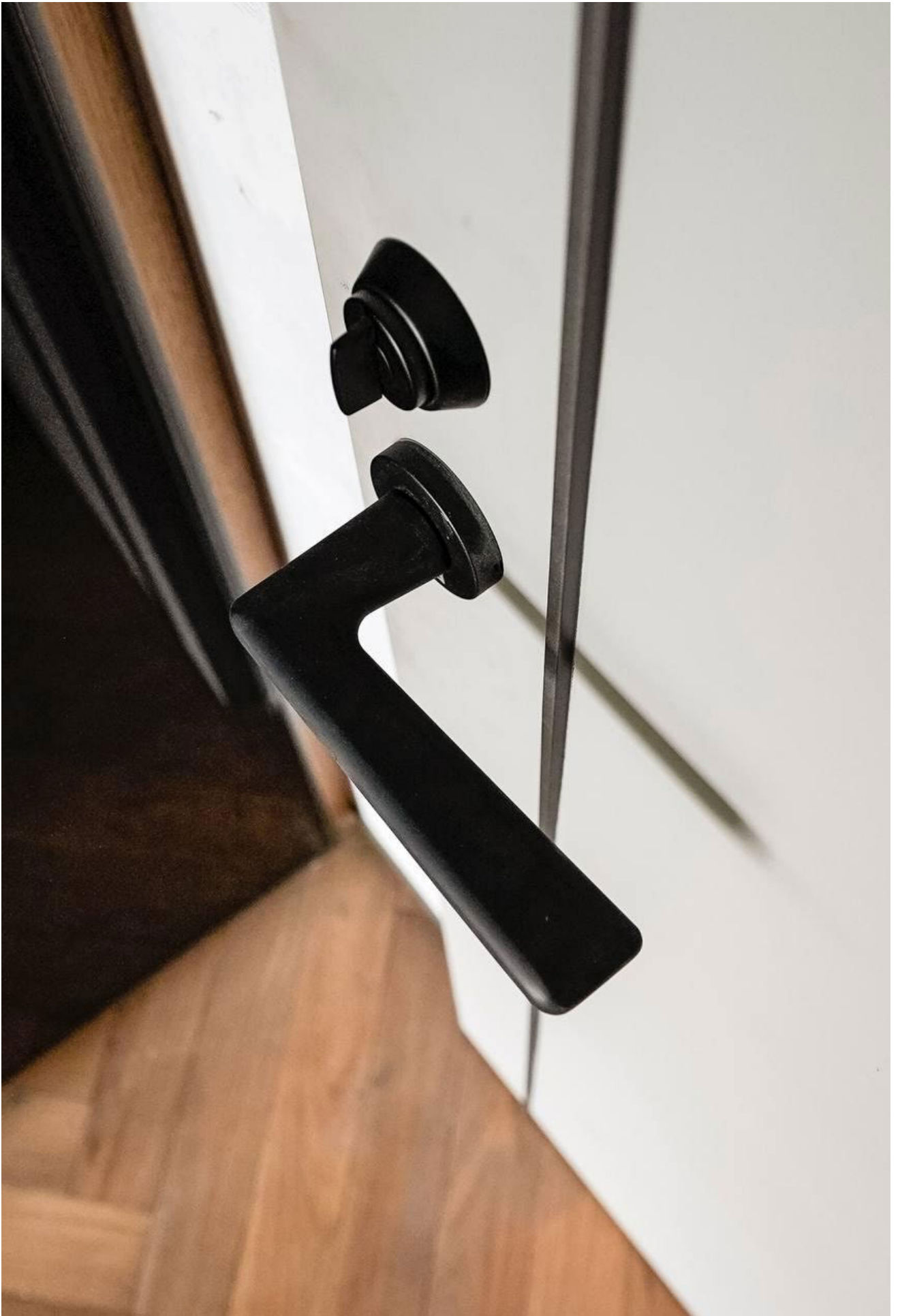
TECHNICAL SPECIFICATIONS

Cast Aluminum, Blast, Anodized, Black



THE BEZEL HANDLE

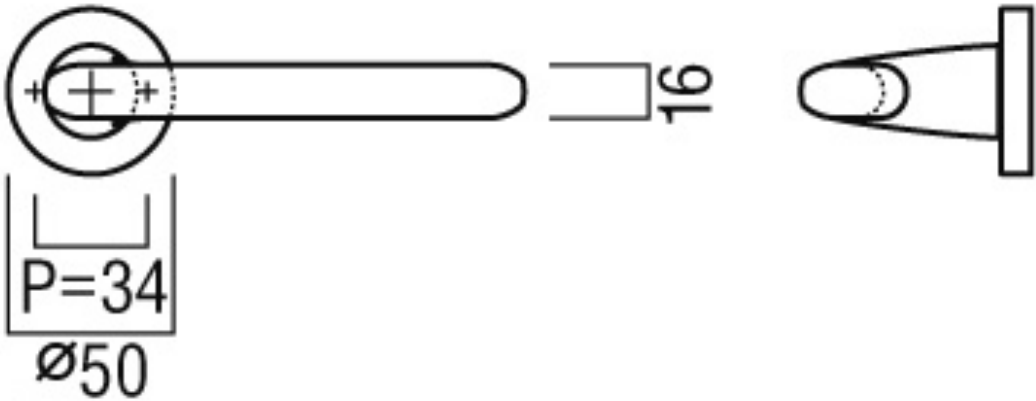
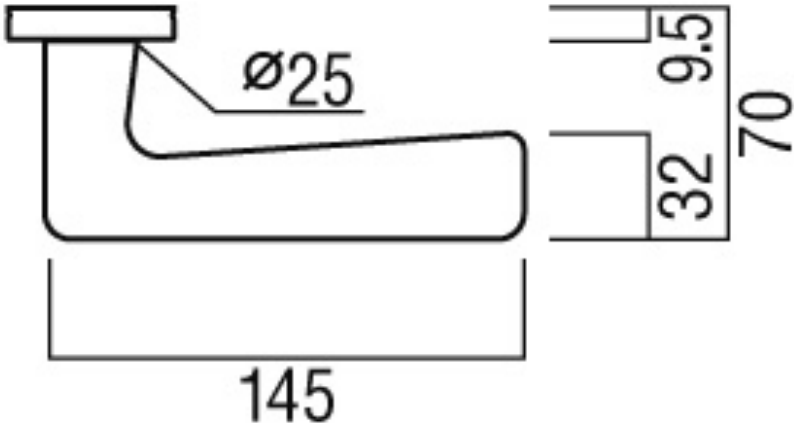






TECHNICAL SPECIFICATIONS

Stainless Steel, Unimist Mat Black





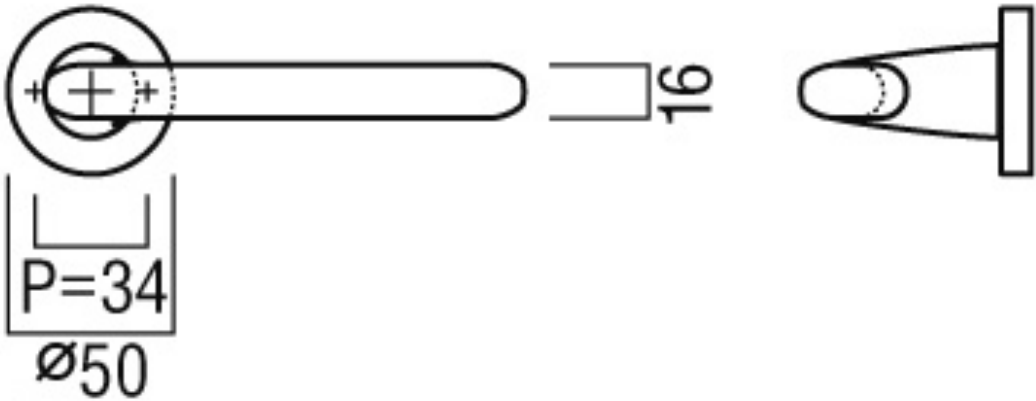
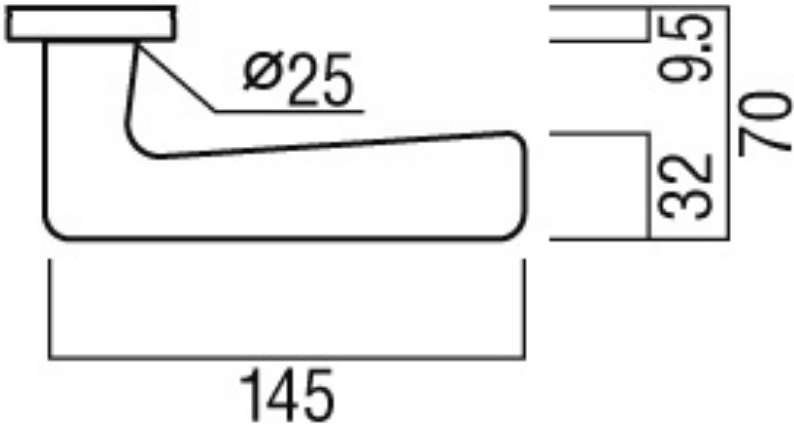
THE NOUMI





TECHNICAL SPECIFICATIONS

Stainless Steel, Unimist Mat Black



THE BLACK IRON

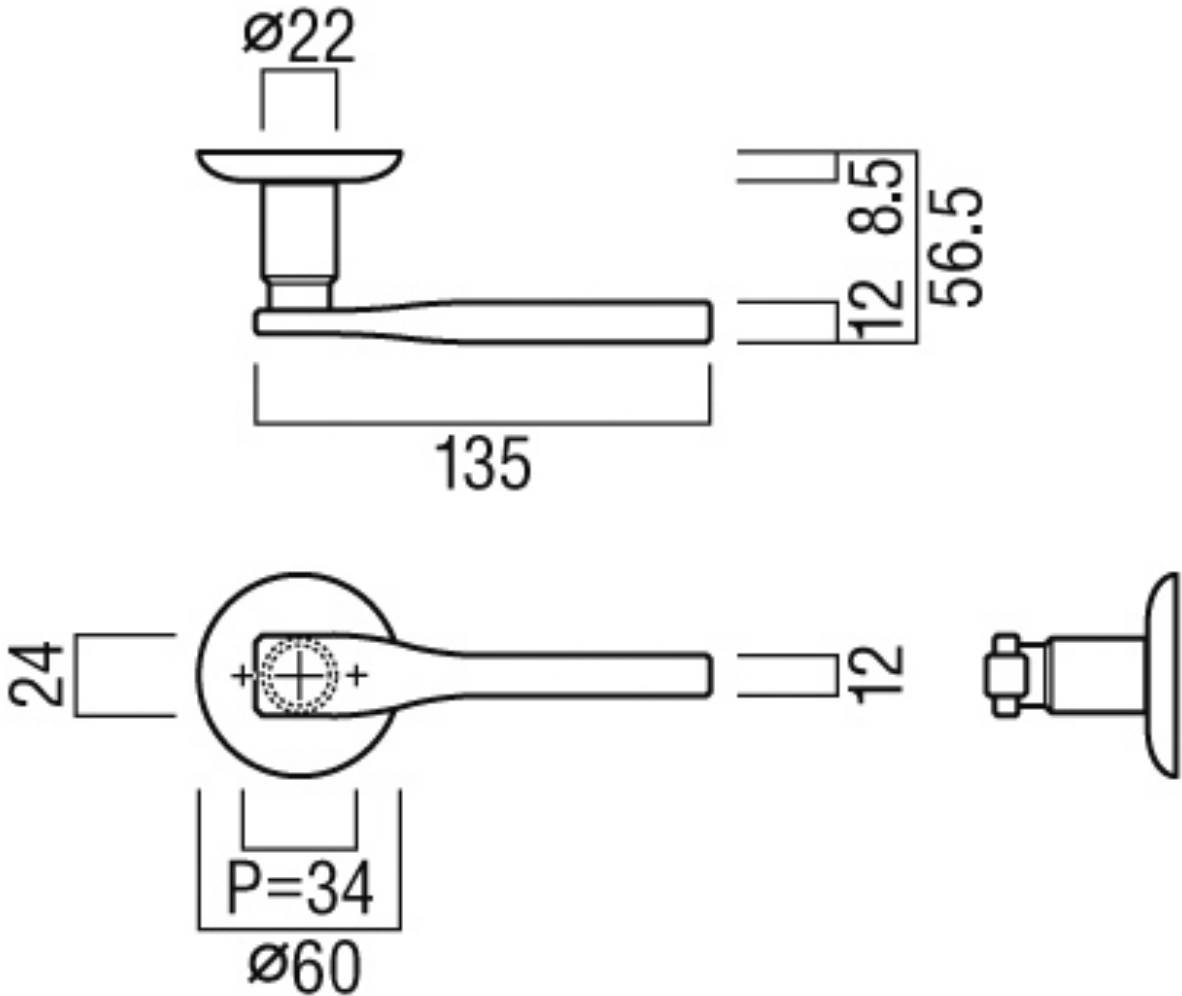






TECHNICAL SPECIFICATIONS

Wrought Iron & Aluminum, Baked Finish, Resist Black



THE TRIANGLE

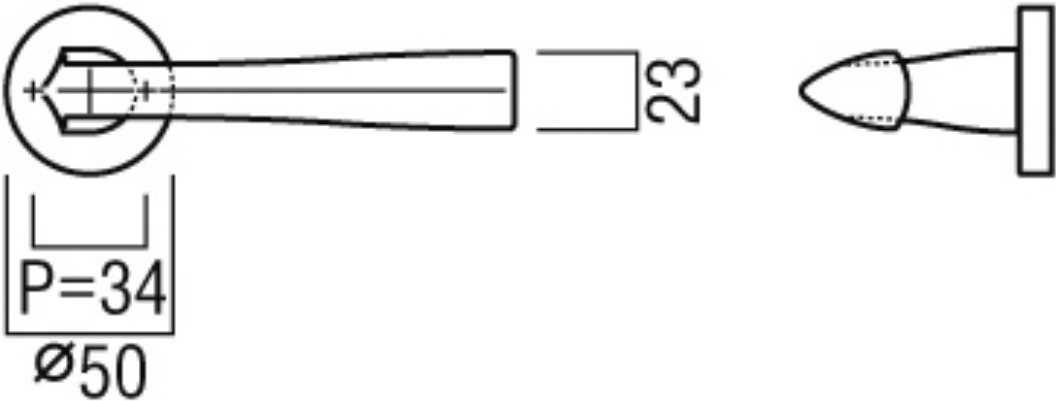
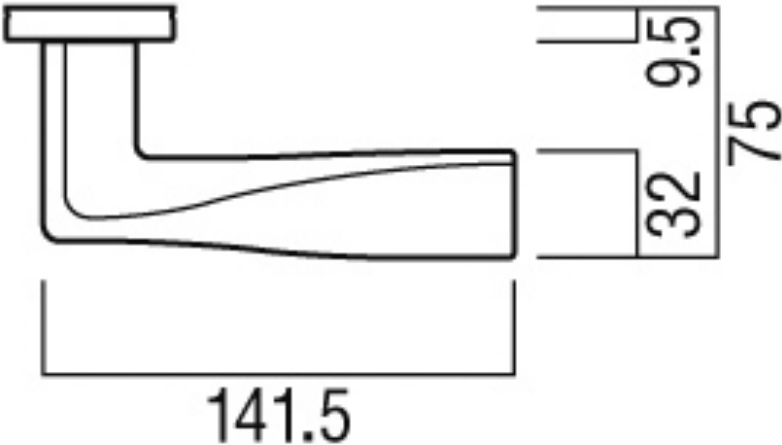






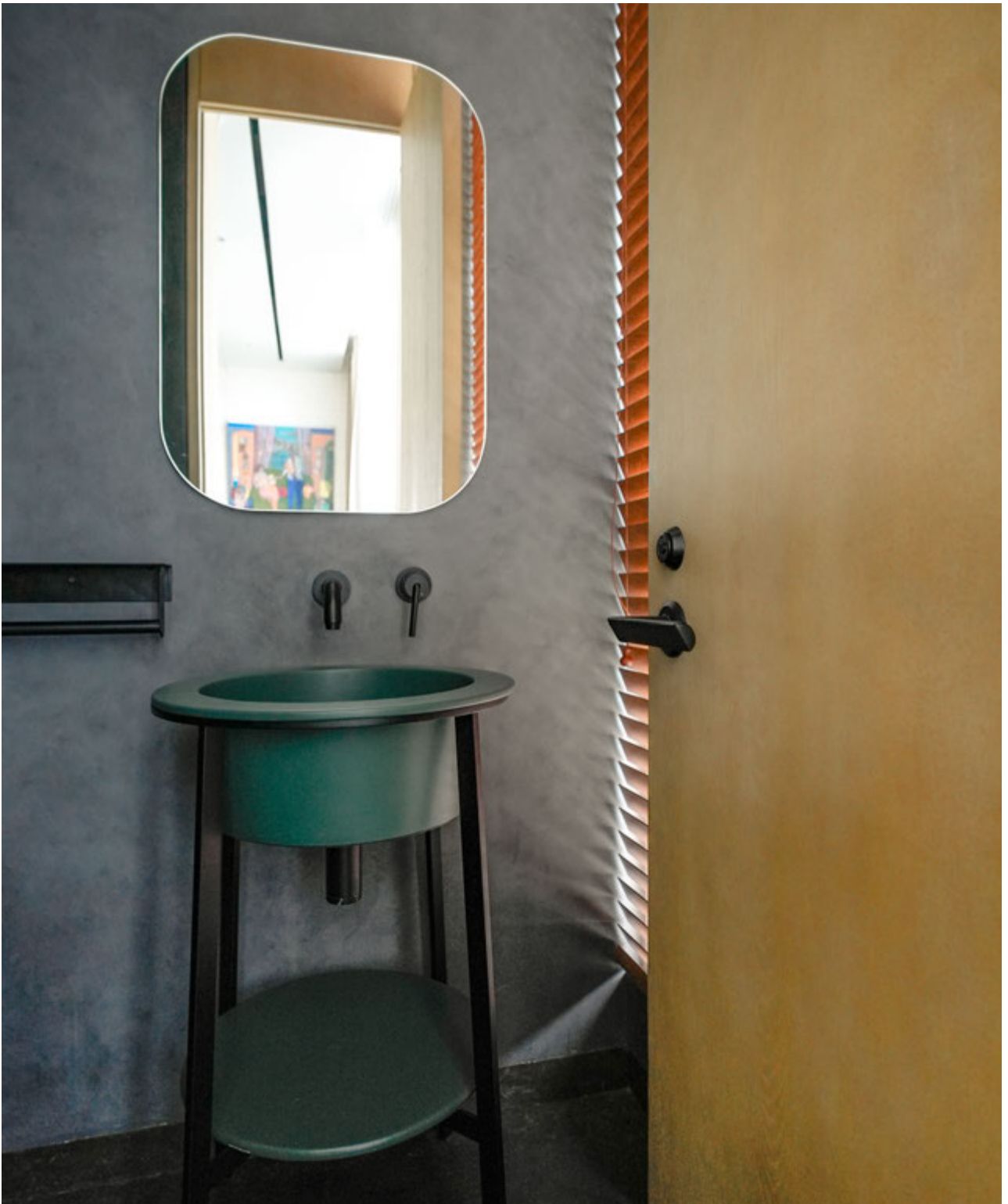
TECHNICAL SPECIFICATIONS

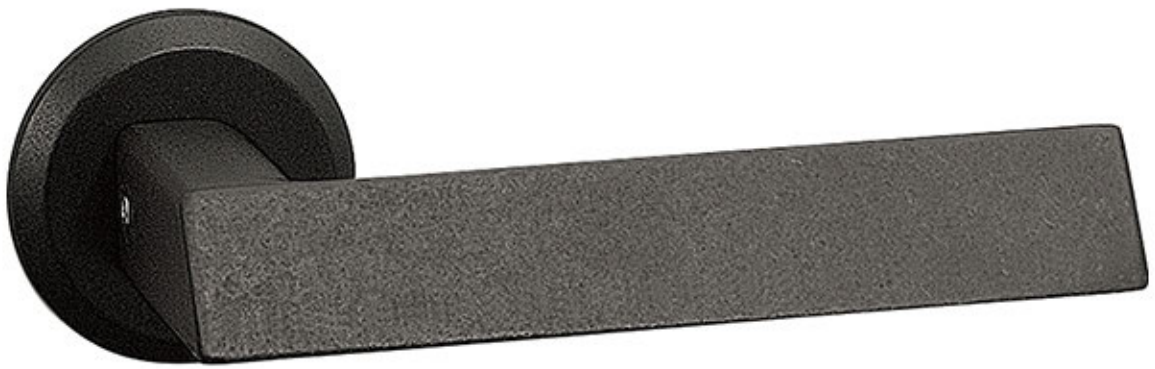
Cast Aluminum, Unifrost, Anodized, Black



THE AIZEN



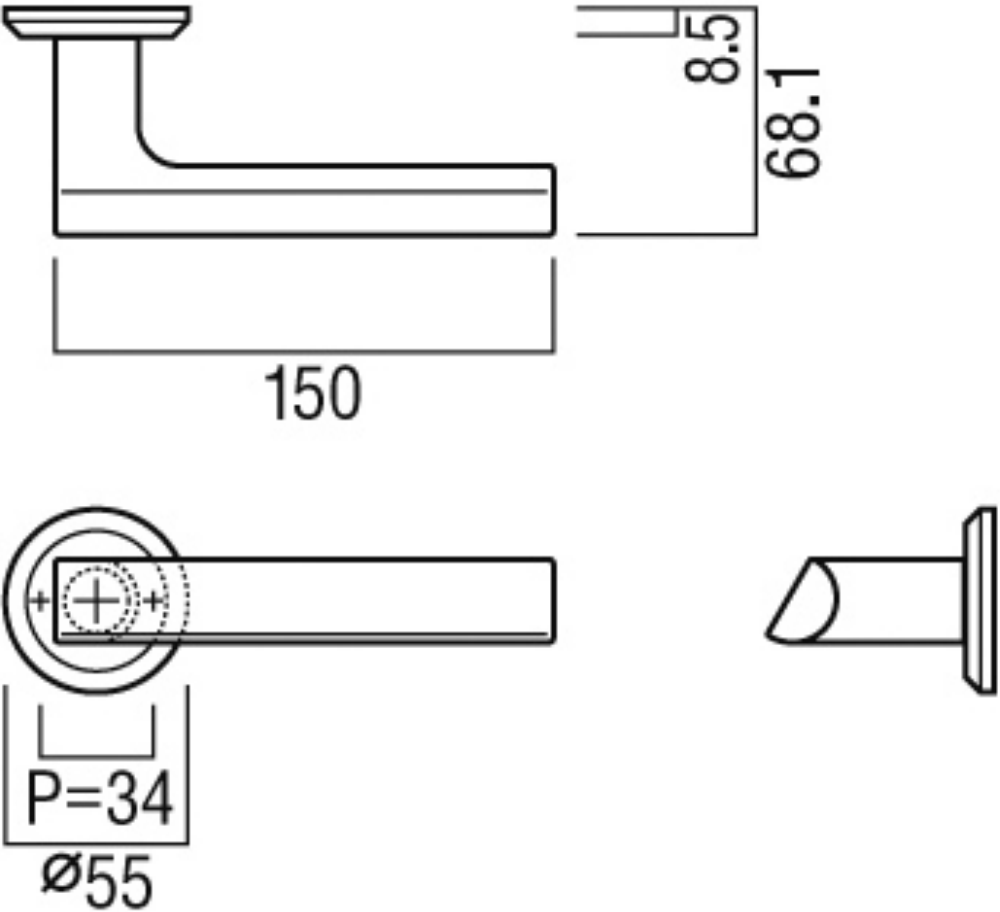






TECHNICAL SPECIFICATIONS

Cast Aluminum, Stone Blast, Anodized, Black



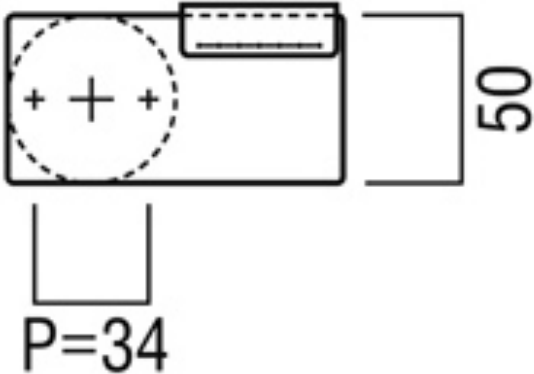
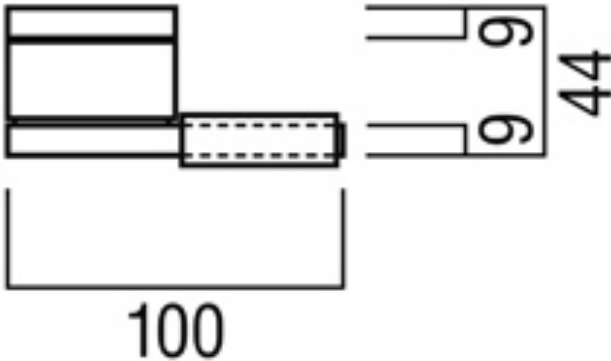
THE MINI ME





TECHNICAL SPECIFICATIONS

Aluminum, Anodized, Stone Blast, Pale Gold + Tanned
Leather, Dark Brown



IRONSCULPT

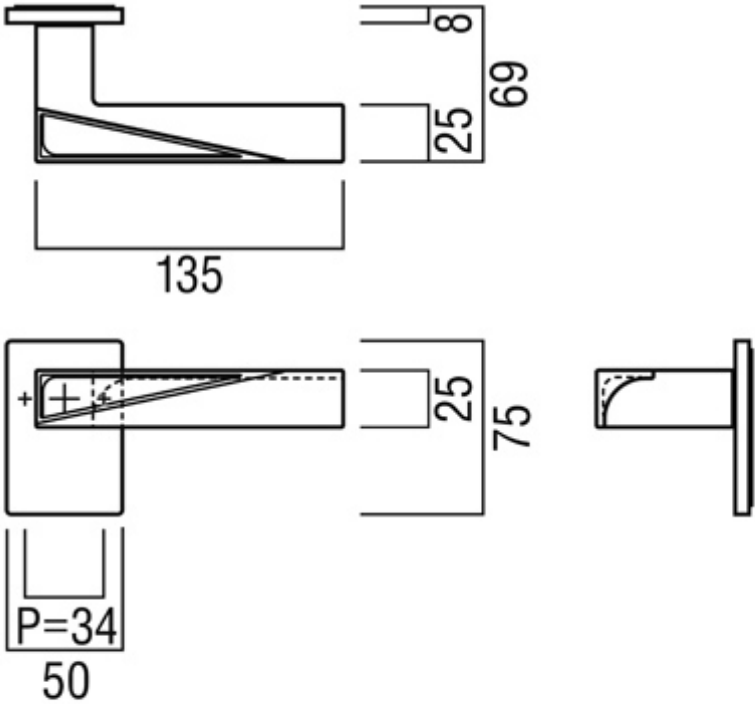






TECHNICAL SPECIFICATIONS

Japanese Cast Iron (NAMBU-TETSU), YUZUHADA, ARAHADA, Baked Finish, Black



THE AERO



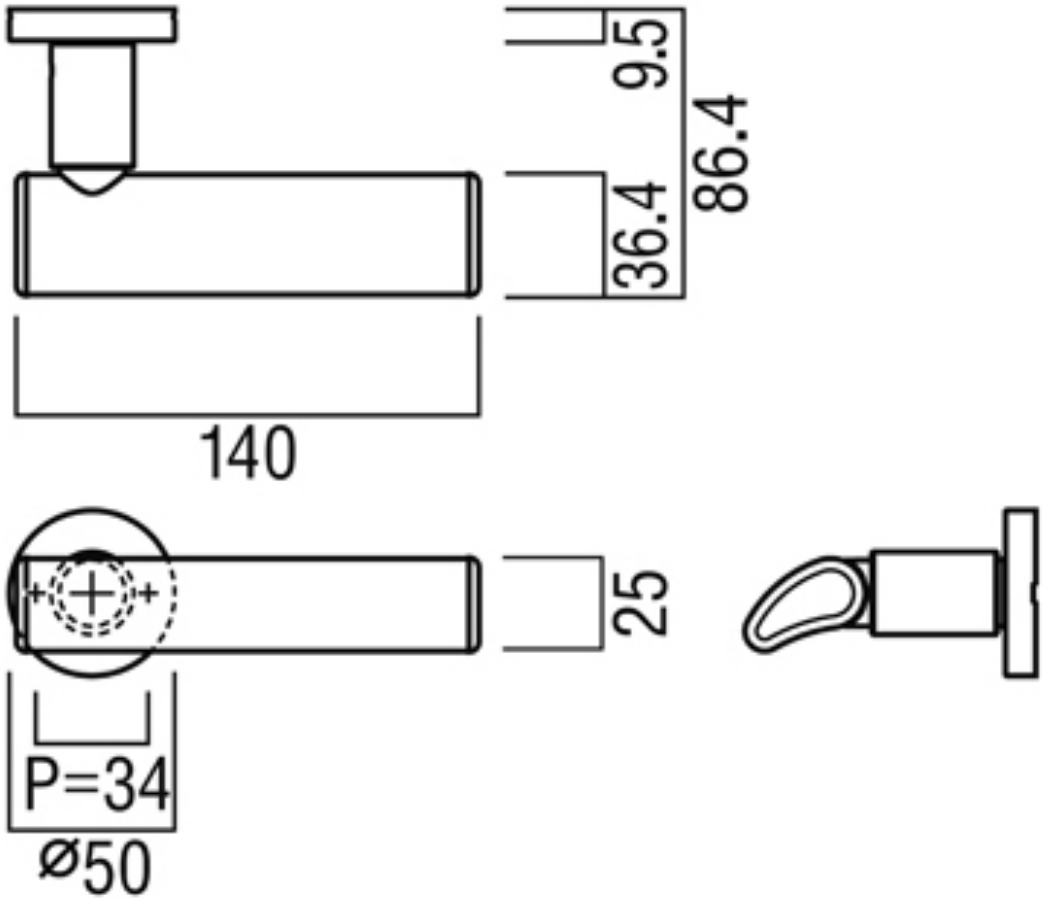






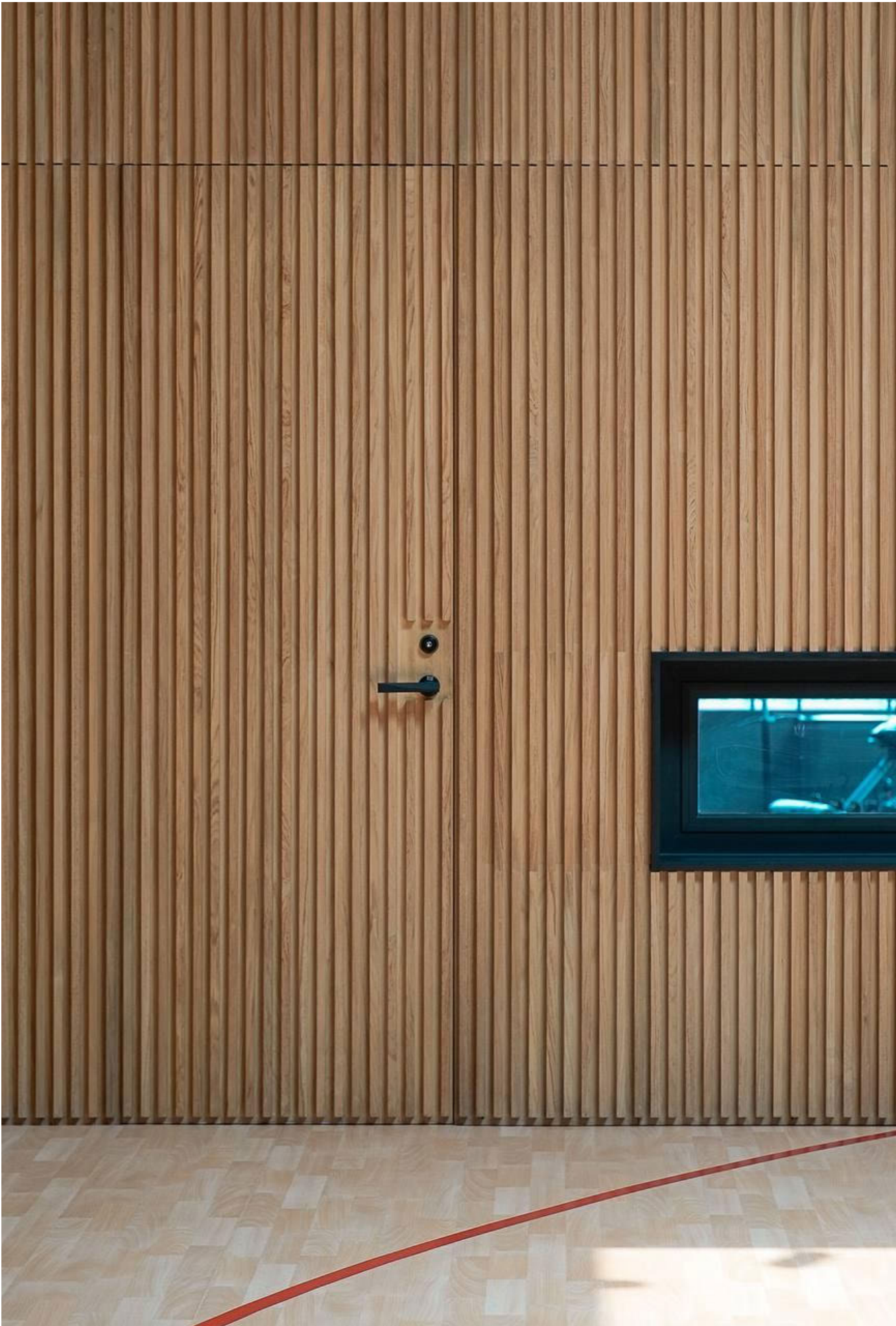
TECHNICAL SPECIFICATIONS

PVC, Hygic Grain Black & Aluminum, Unifrost, Anodized, Black



THE CABERNET



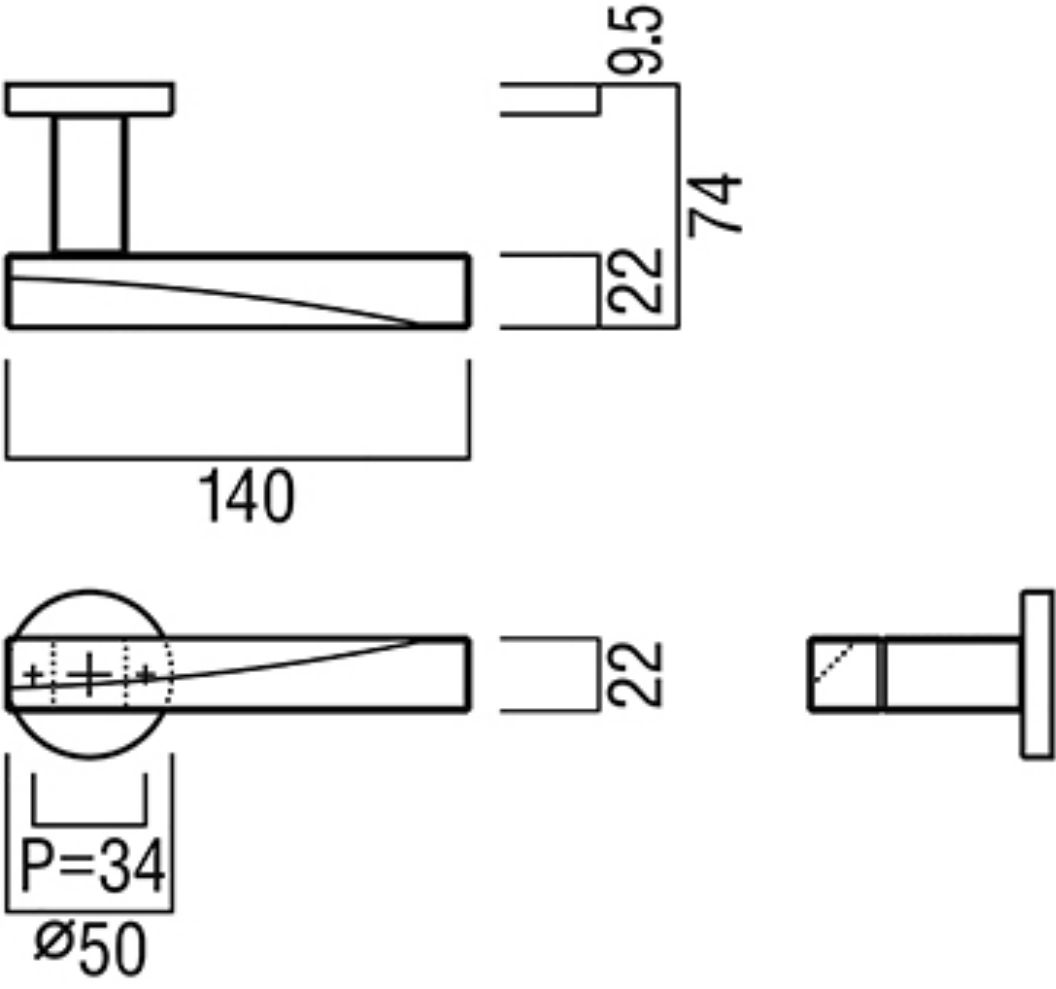






TECHNICAL SPECIFICATIONS

Aluminum, Stone Blast, Anodized, Slate Gray



THE AURORA



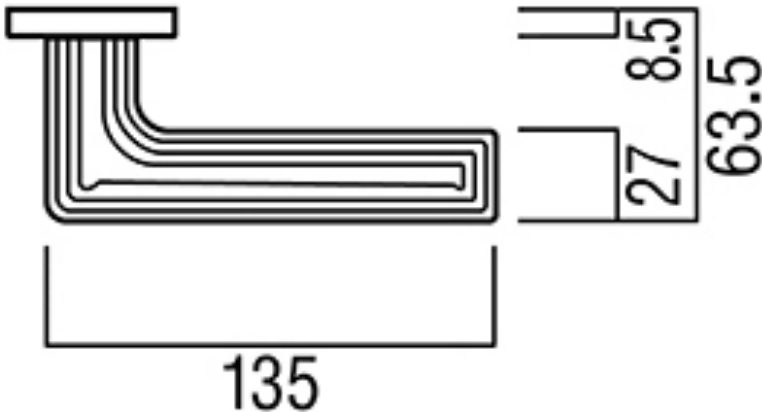






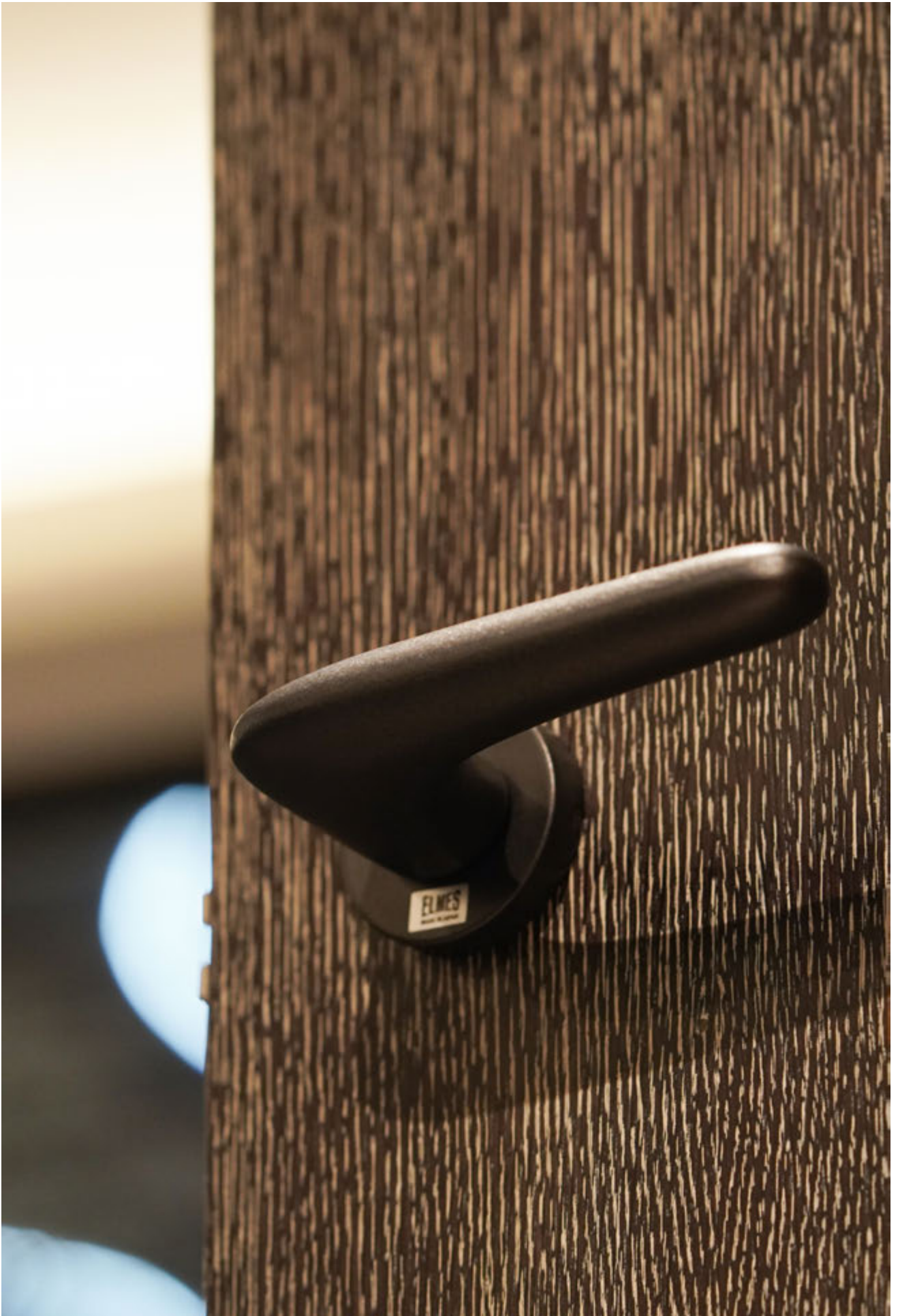
TECHNICAL SPECIFICATIONS

Cast Aluminum, Blast, Anodized, Umber



ALUMISILK

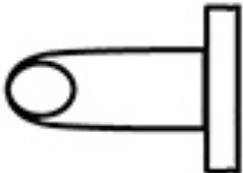
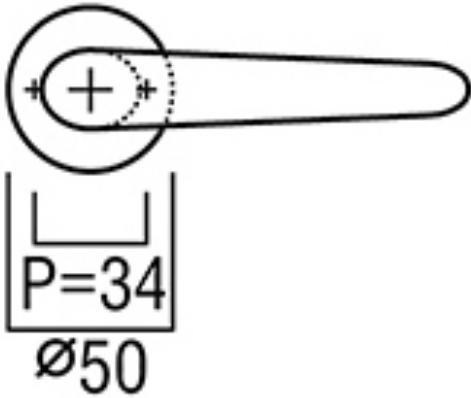
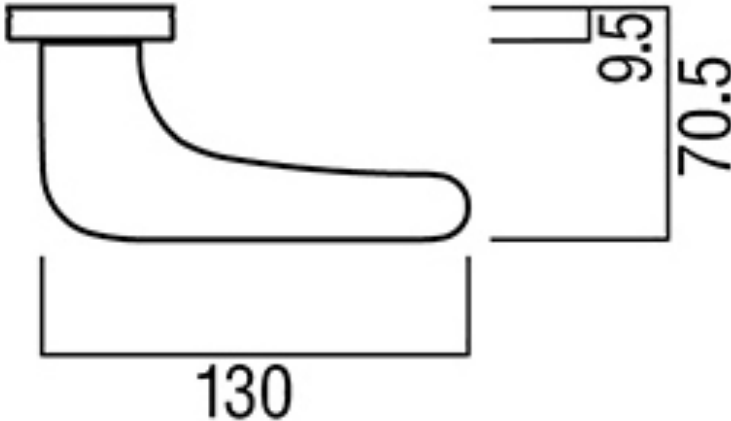






TECHNICAL SPECIFICATIONS

Aluminum, Stone Blast, Anodized, Umber



THE NOCTURNAL



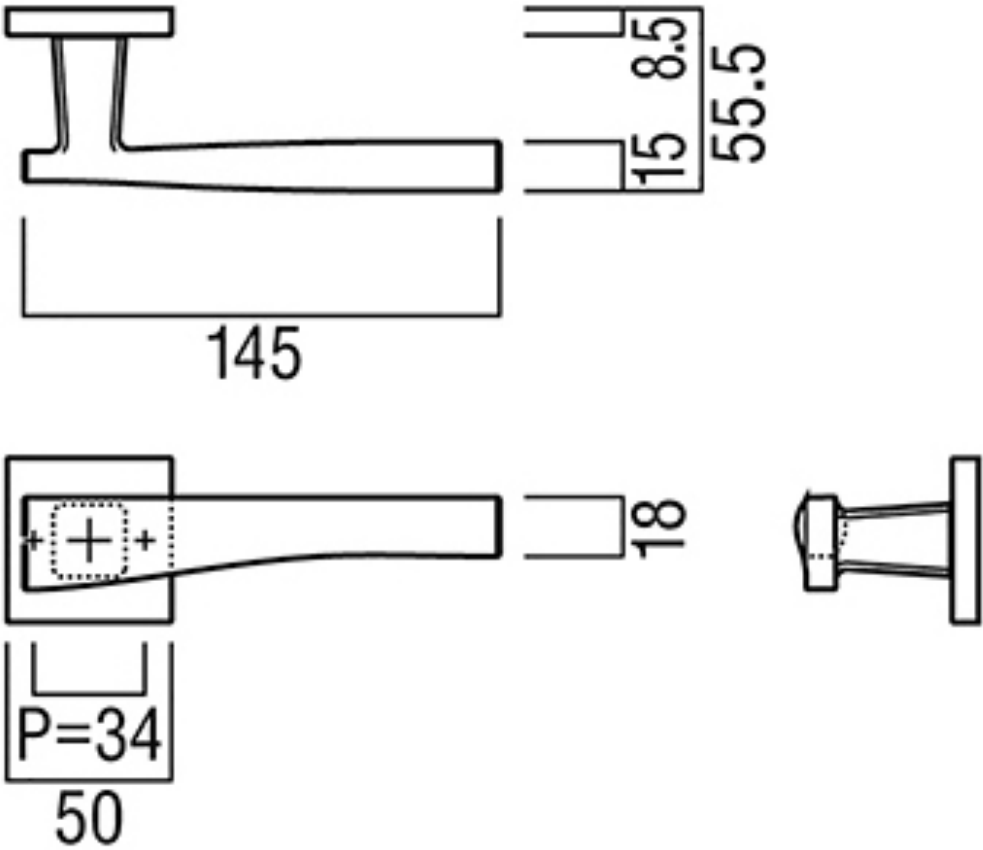






TECHNICAL SPECIFICATIONS

Cast Aluminum, Stone Blast, Anodized, Black & Aluminum, Baked Finish, Black



NARAWOOD

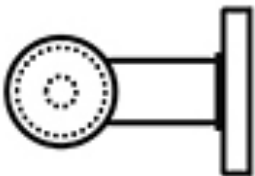
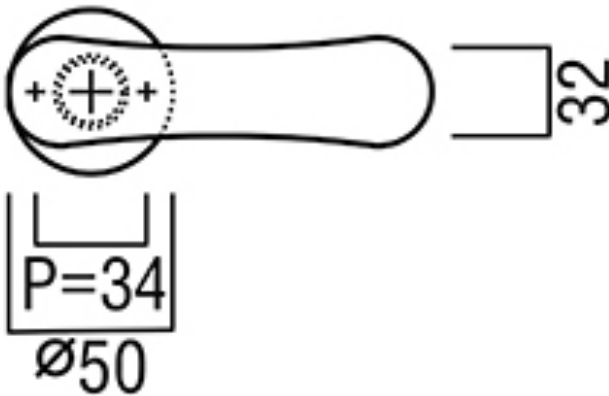
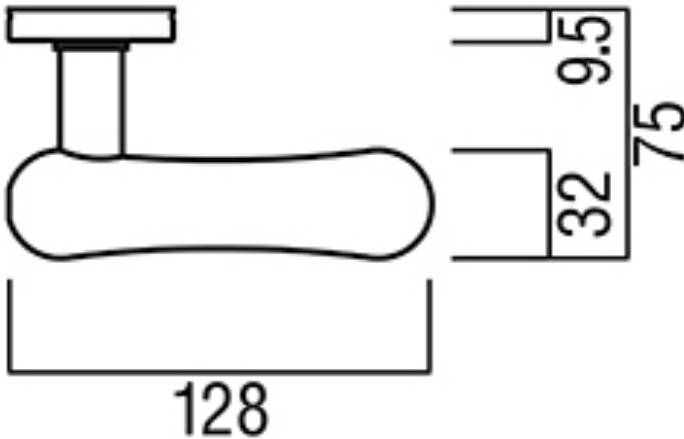






TECHNICAL SPECIFICATIONS

Japanese Cedar, UZUKURI & Stainless Steel, Hairline



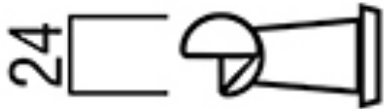
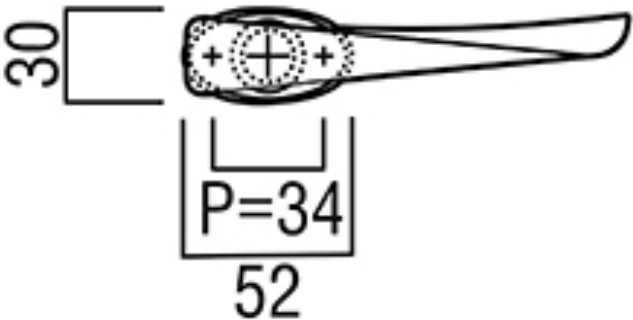
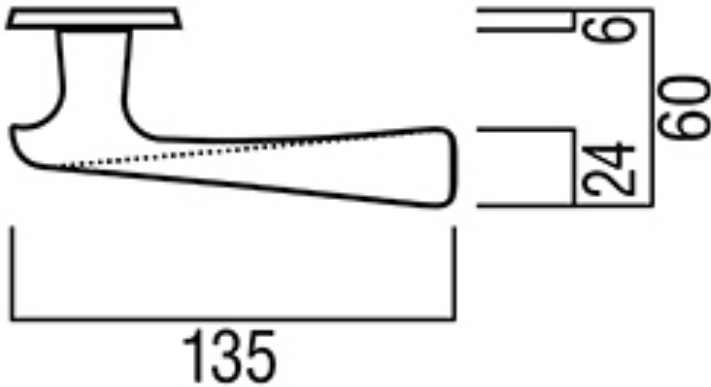
ZENWAVE





TECHNICAL SPECIFICATIONS

Stainless Steel, Stone Blast, Japanese Ink dyed



CUBEFLUSH











TURNSTYLE
DESIGNS

MADE IN ENGLAND

RECESS AMALFINE LABYRINTH





RECESS AMALFINE LABYRINTH: A Geometric Elegance for Modern Spaces

Crafted with the discerning eye of Winch Design, the Labyrinth collection presents a striking balance of geometry and organic flair, echoing the intricate patterns of a maze. Ideal for the contemporary architect or interior designer, these cabinet T-bar handles are not just functional pieces but a statement of artistry.

LABYRINTH STEPPED RECESS AMALFINE BY TURNSTYLE DESIGNS: A BOLD STATEMENT IN BRITISH CRAFTSMANSHIP

Introducing the LABYRINTH STEPPED RECESS AMALFINE lever handle, a proud creation of Turnstyle Designs, crafted with precision and passion in the UK. Born from an exclusive collaboration with the globally acclaimed Winch Design, this handle is a celebration of nature's intricate geometry. Its substantial size and bold aesthetics are not just a feature but a statement, designed to transform any door into a focal point of design and elegance.

The Labyrinth design is a testament to Turnstyle Designs' commitment to exceptional style and quality. Each handle in this series reflects a harmonious blend of art and function, promising to elevate the character of your space. Available in a comprehensive range of products, the Labyrinth family allows for a cohesive design theme, offering a touch of luxury and sophistication to every aspect of your interior. With Turnstyle Designs, you're not just choosing a lever handle; you're embracing a piece of art that embodies the finest in British craftsmanship.

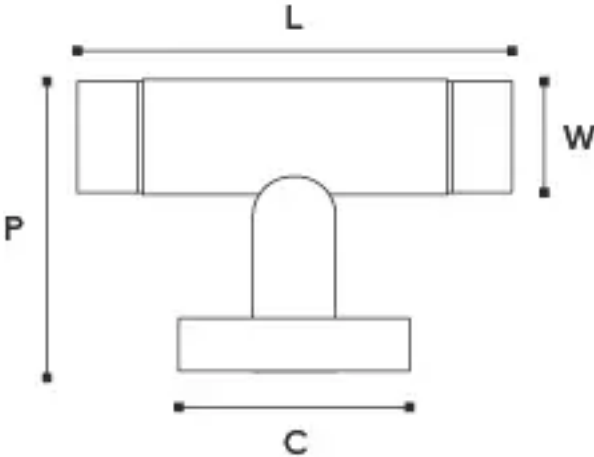


RECESS AMALFINE LABYRINTH

Designed by Winch Design, Labyrinth is a bold design, inspired by a mix of geometric and organic tones, reminiscent of a maze. Cabinet T bar handles are available fixed or turning to operate espagnolettes or slam latches.

TECHNICAL SPECIFICATIONS

Material: SATIN NICKEL
Finishing: ALUPEWT



ROUND
FIXED
SOLID





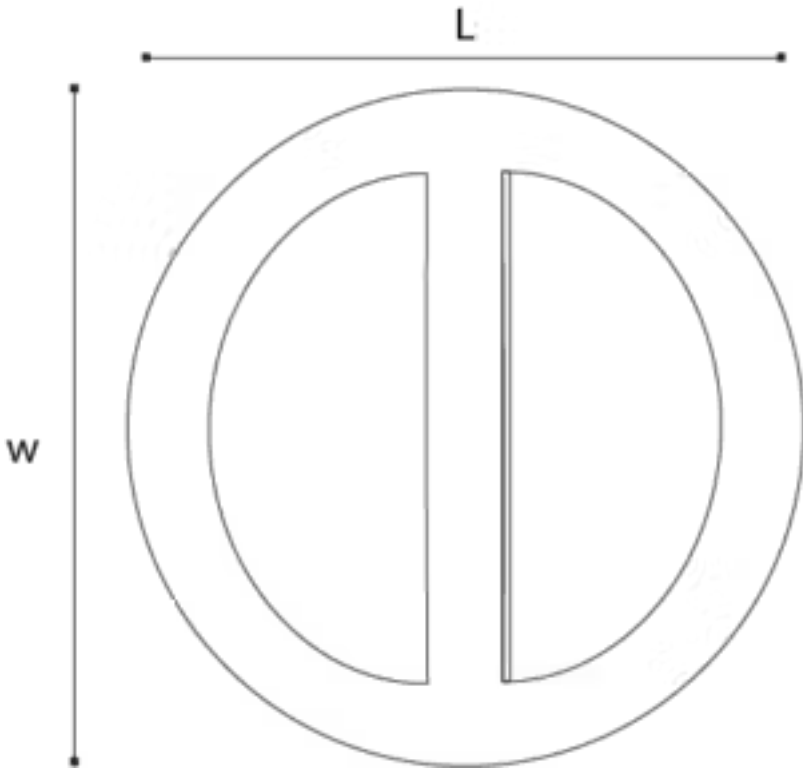
ROUND FIXED SOLID: The Epitome of Elegant Functionality

Introducing the Round Fixed Solid, a testament to the art of brasswork engineering. This flush-fitted door or cupboard pull is not just a hardware piece; it's a subtle nod to classic design reimagined for contemporary spaces. The round, ergonomic design ensures ample space for a comfortable grip, making every interaction a smooth experience.



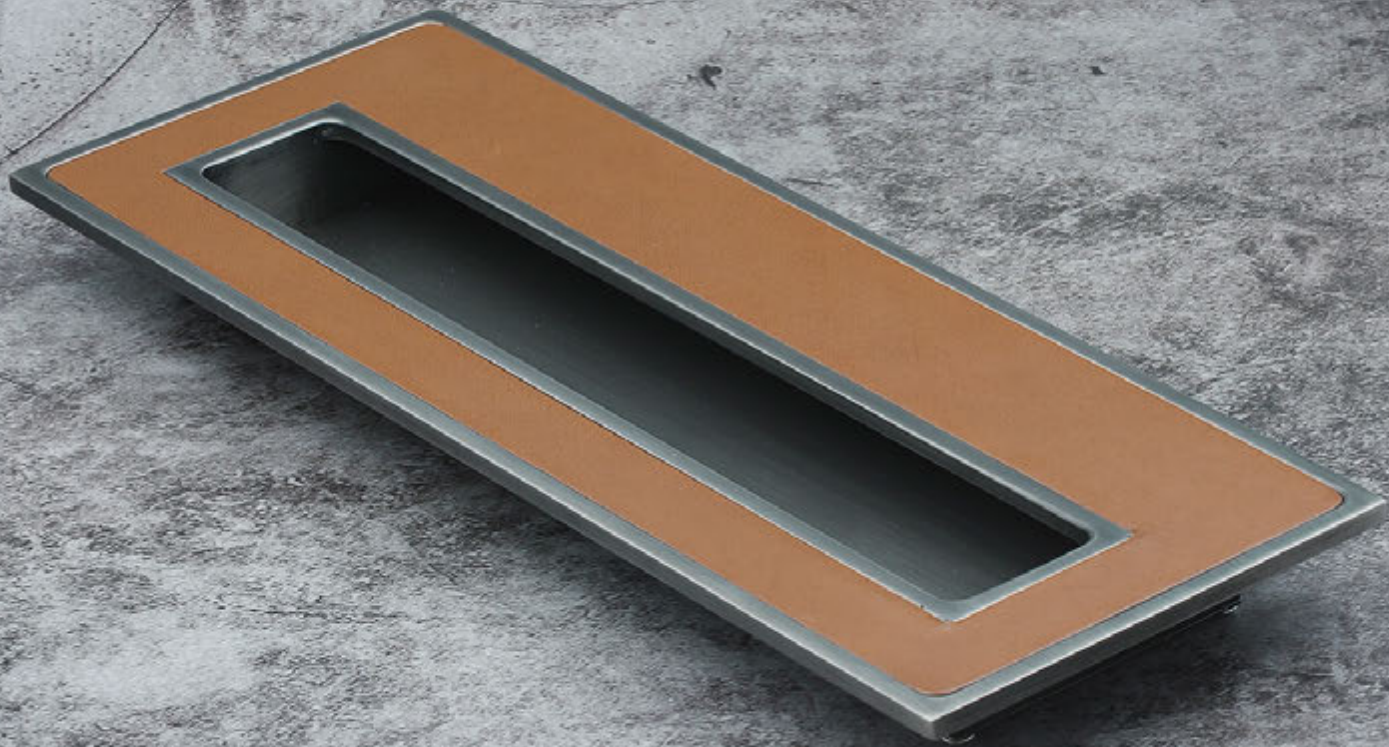
TECHNICAL SPECIFICATIONS

Material: SATIN NICKEL
Finishing: ALUPEWT



LARGE
BORDERED
RECESS
LEATHER





WOVEN BARREL RECESS LEATHER: EXQUISITE CRAFTSMANSHIP IN LUXURIOUS FINISHES

Step into the world of luxury with the **WOVEN BARREL RECESS LEATHER** collection, a perfect embodiment of refined taste and superior craftsmanship. This exquisite range features finely woven Italian bridle leather, renowned for its durability and elegance, securely bonded and encased within polished brass collars. The result is a tactile experience that is both cool to the touch and exceptionally comfortable.

Available in an array of sophisticated finishes, this collection caters to the discerning preferences of the luxury market. Choose from the rich, earthy tones of Tobacco, the deep and mysterious Raven Black, the subtle sophistication of Flint Grey, or the warm, inviting hues of Whisky. Each finish is meticulously crafted to enhance the natural beauty and texture of the leather, ensuring that your Levers and Pulls are not just functional elements, but also integral aspects of your home's aesthetic. Whether gracing a high-end kitchen, an elegant wardrobe, or bespoke furniture pieces, the **WOVEN BARREL RECESS LEATHER** collection offers unparalleled style and luxury, making every interaction a moment of indulgence.

TECHNICAL SPECIFICATIONS

Material: SATIN NICKEL
Finishing: CHESTNUT



SLIMLINE
FLUSH
PULL
RECESS
LEATHER



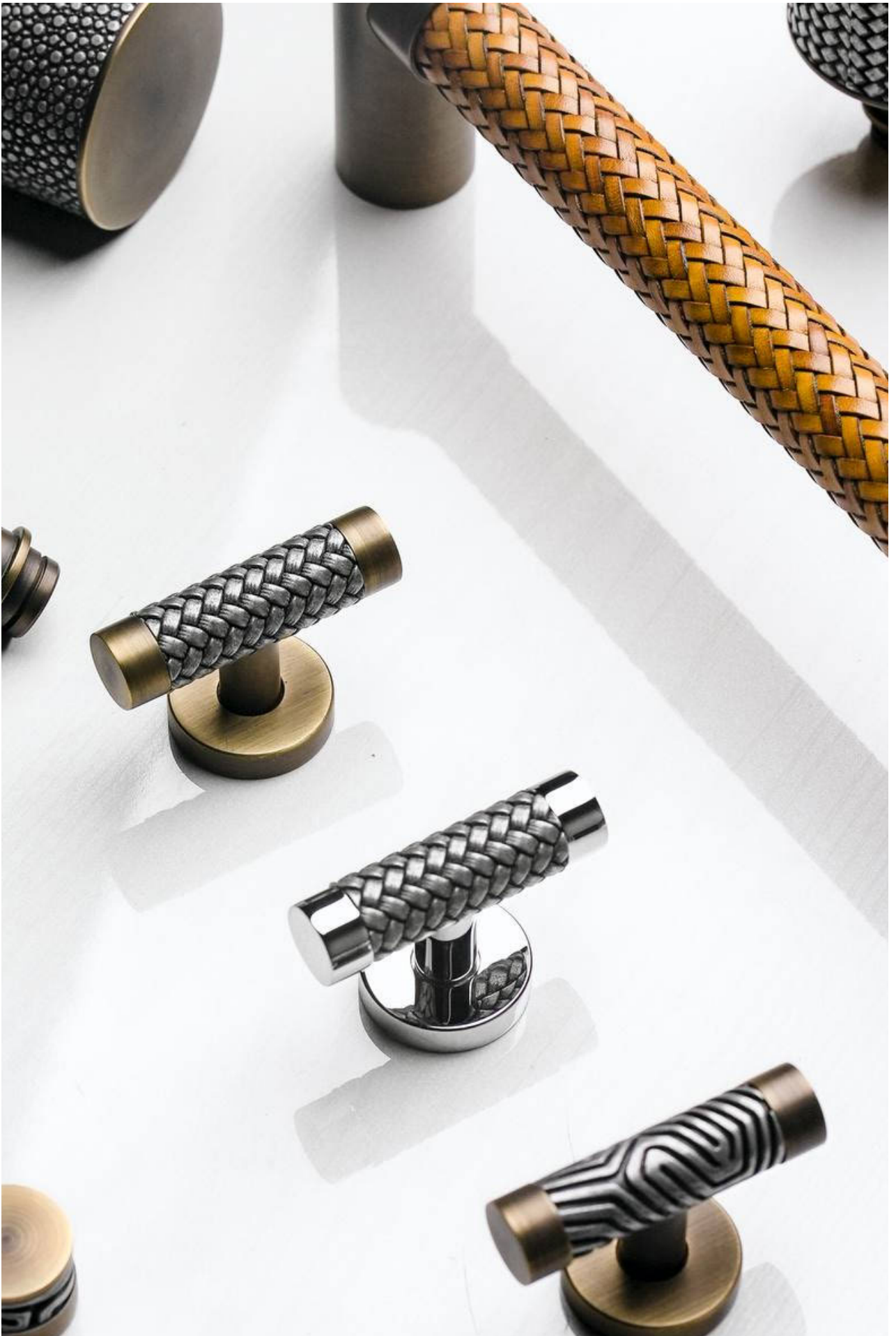


TECHNICAL SPECIFICATIONS

Material: VINTAGE PATINA
Finishing: DESTINY STORM









Hide-and- Seek Chic: The Woven Wonder Handle

Step into a world of refined elegance with the 'Whisky Witty Woven' pull handle, a masterpiece of British weaving and Italian leatherwork. Available in a palette of luxurious hues including the deep, earthy Tobacco, the sophisticated Flint Grey, the mysterious Raven Black, and the classic Whisky, each color brings its own distinct charm to the design. This exquisite handle, perfect for both hidden panels and prominent swing doors, not only serves its functional purpose with grace but also adds a touch of whimsical flair to your space. The blend of these rich colors with the fine antique metal accents creates a statement piece that marries humor with style, making it an ideal choice for those who appreciate a unique and sophisticated interior touch.











TUBE
GOOSE
NECK
SOLID

Experience the unique blend of British design and Japanese functionality with the TUBE GOOSE NECK SOLID HAMMERED collection. This exquisite piece showcases an individually hammered brass grip paired with a polished body, rose, and caps, creating a stunning transitional design that complements any interior setting. Seamlessly combinable with the Miwa Japan mortise lock, this collection offers not just aesthetic appeal but also the practicality of master key compatibility, blending the best of UK craftsmanship with Japanese lock engineering.

Presented here with the Classic rose for a touch of traditional elegance, the TUBE GOOSE NECK SOLID HAMMERED is also available with a diverse selection of roses and plates to suit your personal style. Whether it's enhancing a modern home or adding a refined touch to a classic environment, this collection promises versatility and sophistication. The marriage of the hammered texture with the sleek finish adds a layer of depth and character, ensuring that each piece is not just a functional element, but a work of art that elevates the overall ambiance of your space.







TURNSTYLE
BULLET
COMBINATION
AMALFINE INC.
MORTISE LOCK



SHAGREEN
RECESS
AMALFINE



LABYRINTH
STEPPED
RECESS
AMALFINE





Introducing the LABYRINTH STEPPED RECESS AMALFINE lever handle, a proud creation of Turnstyle Designs, crafted with precision and passion in the UK. Born from an exclusive collaboration with the globally acclaimed Winch Design, this handle is a celebration of nature's intricate geometry. Its substantial size and bold aesthetics are not just a feature but a statement, designed to transform any door into a focal point of design and elegance.

The Labyrinth design is a testament to Turnstyle Designs' commitment to exceptional style and quality. Each handle in this series reflects a harmonious blend of art and function, promising to elevate the character of your space. Available in a comprehensive range of products, the Labyrinth family allows for a cohesive design theme, offering a touch of luxury and sophistication to every aspect of your interior. With Turnstyle Designs, you're not just choosing a lever handle; you're embracing a piece of art that embodies the finest in British craftsmanship.



LABYRINTH STEPPED RECESS AMALFINE
by Turnstyle Designs: A Bold Statement in
British Craftsmanship



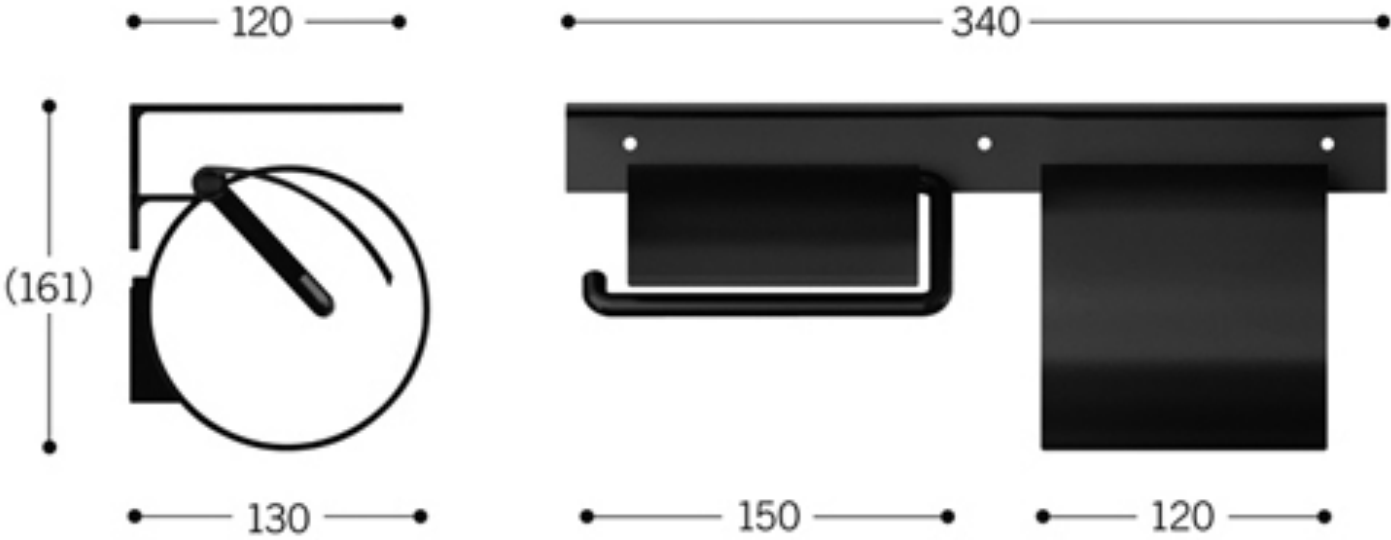
OASIA SANITARY ACCESSORIES





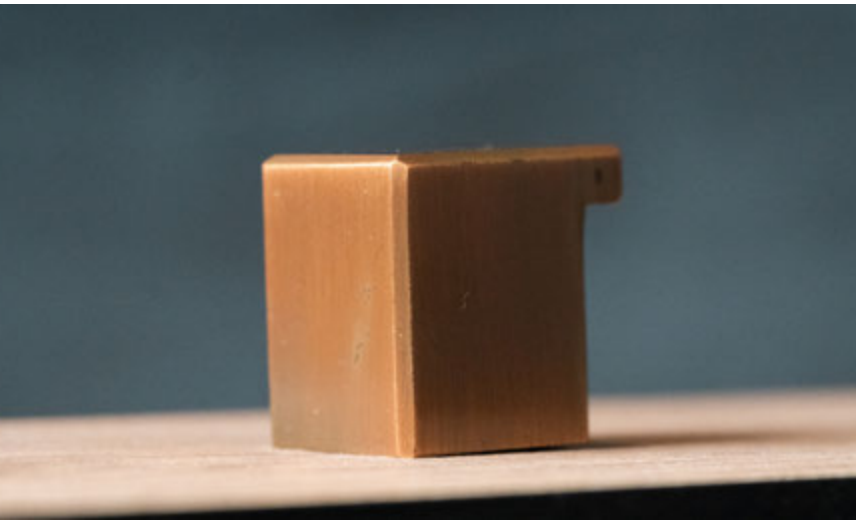
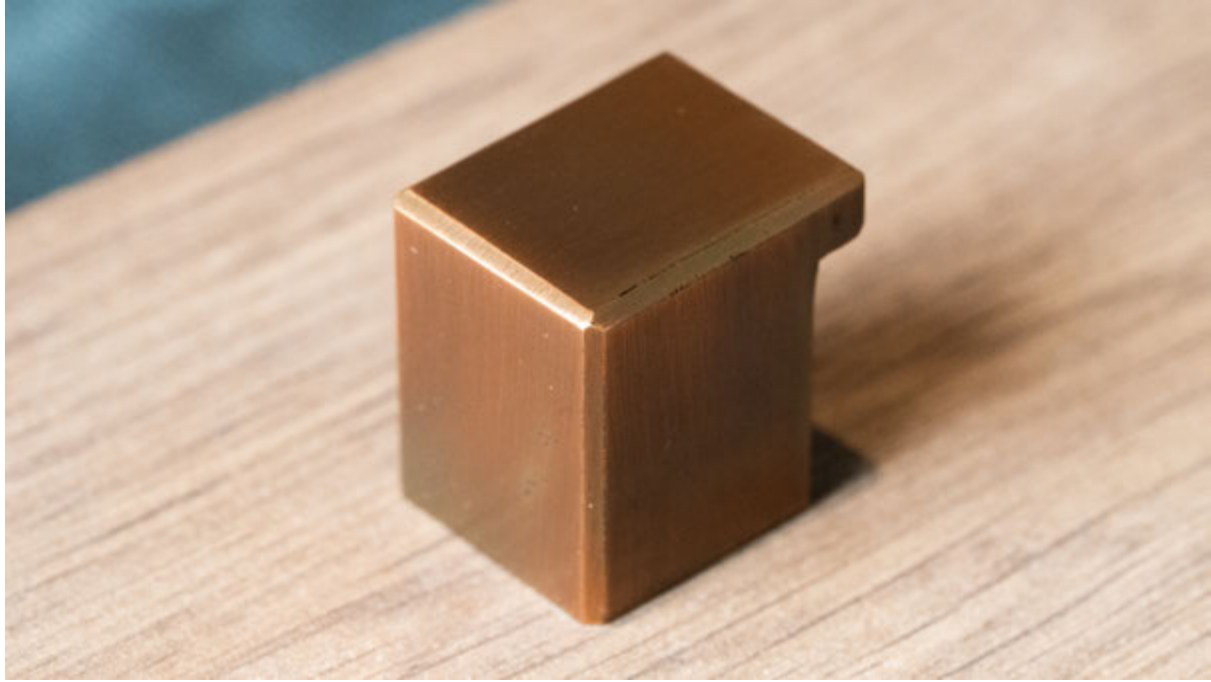
TECHNICAL SPECIFICATIONS

Aluminum, Unifrost, Anodized, Black



ARCHIPART

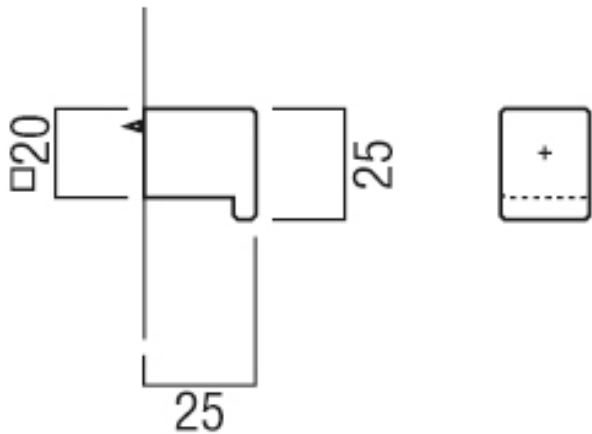
ELMES
CABINetry
BRASS
OXIDISED
DARKBRONZE



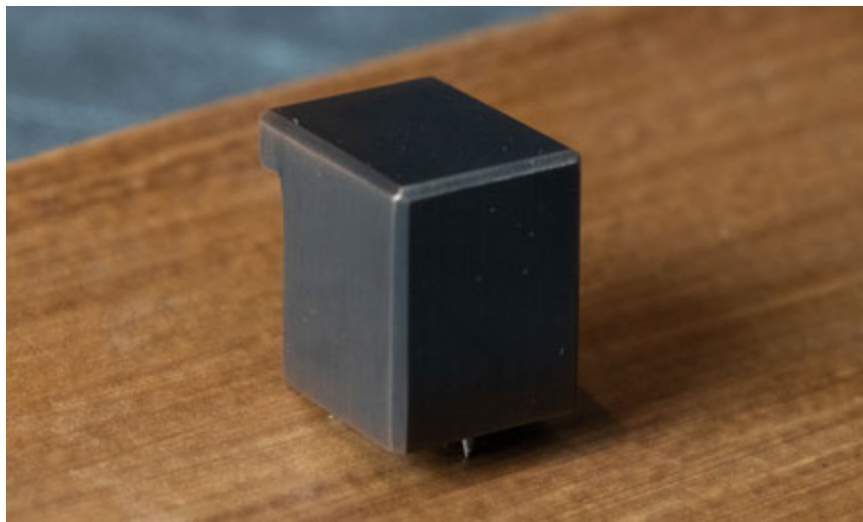


TECHNICAL SPECIFICATIONS

braided leather, black & die-cast zinc,
baked finish, black



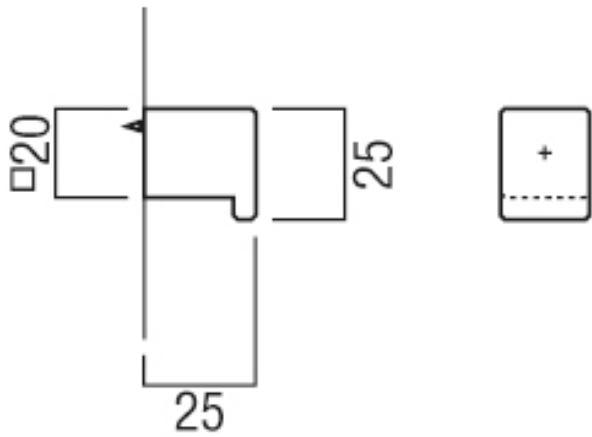
ELMES
CABINETS
UNITMIST
MATT BLACK





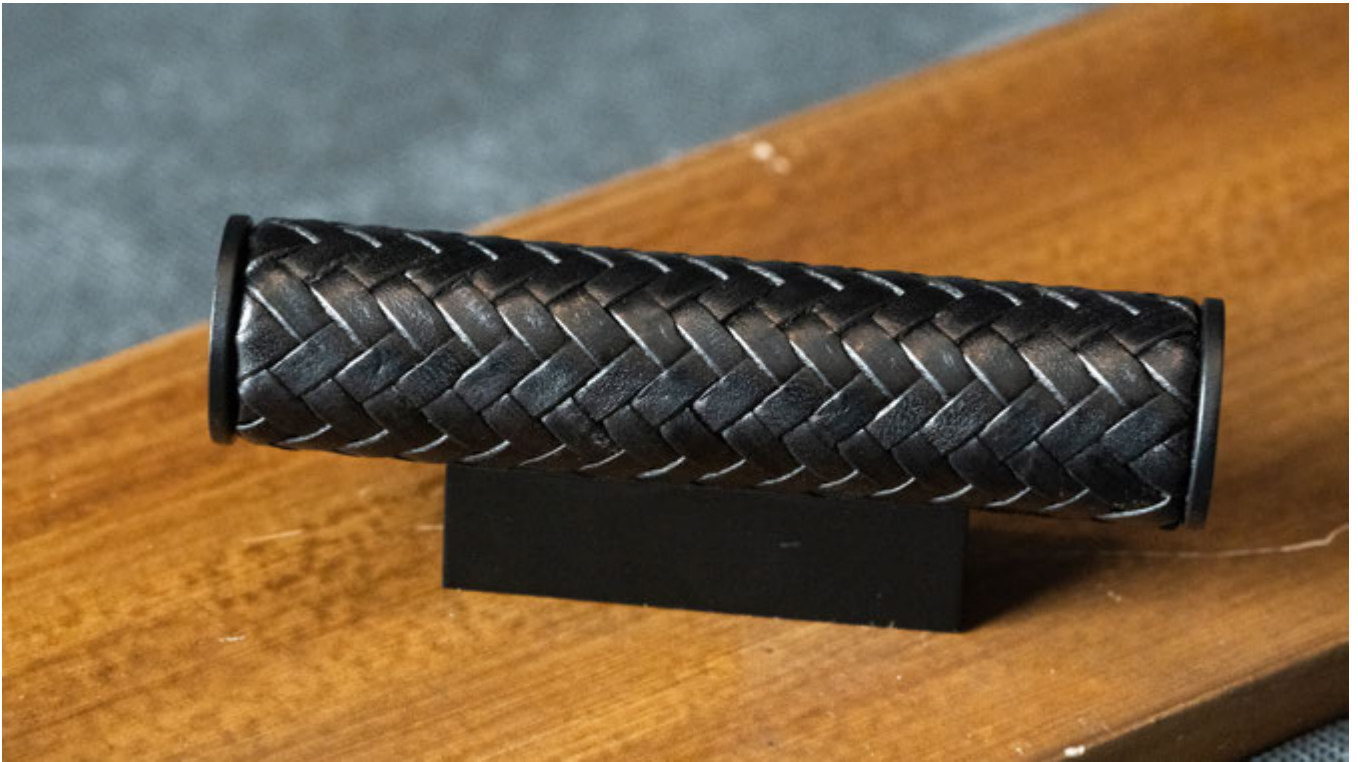
TECHNICAL SPECIFICATIONS

braided leather, black & die-cast zinc,
baked finish, black



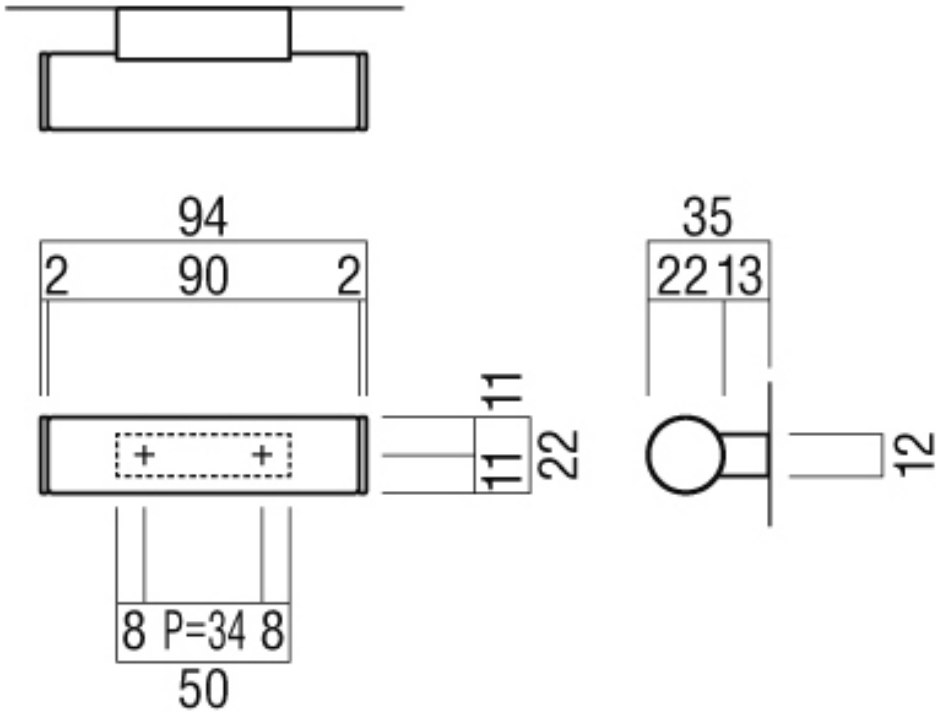
ELMES
CABINETS
BRAIDED
LEATHER
BLACK ZINC





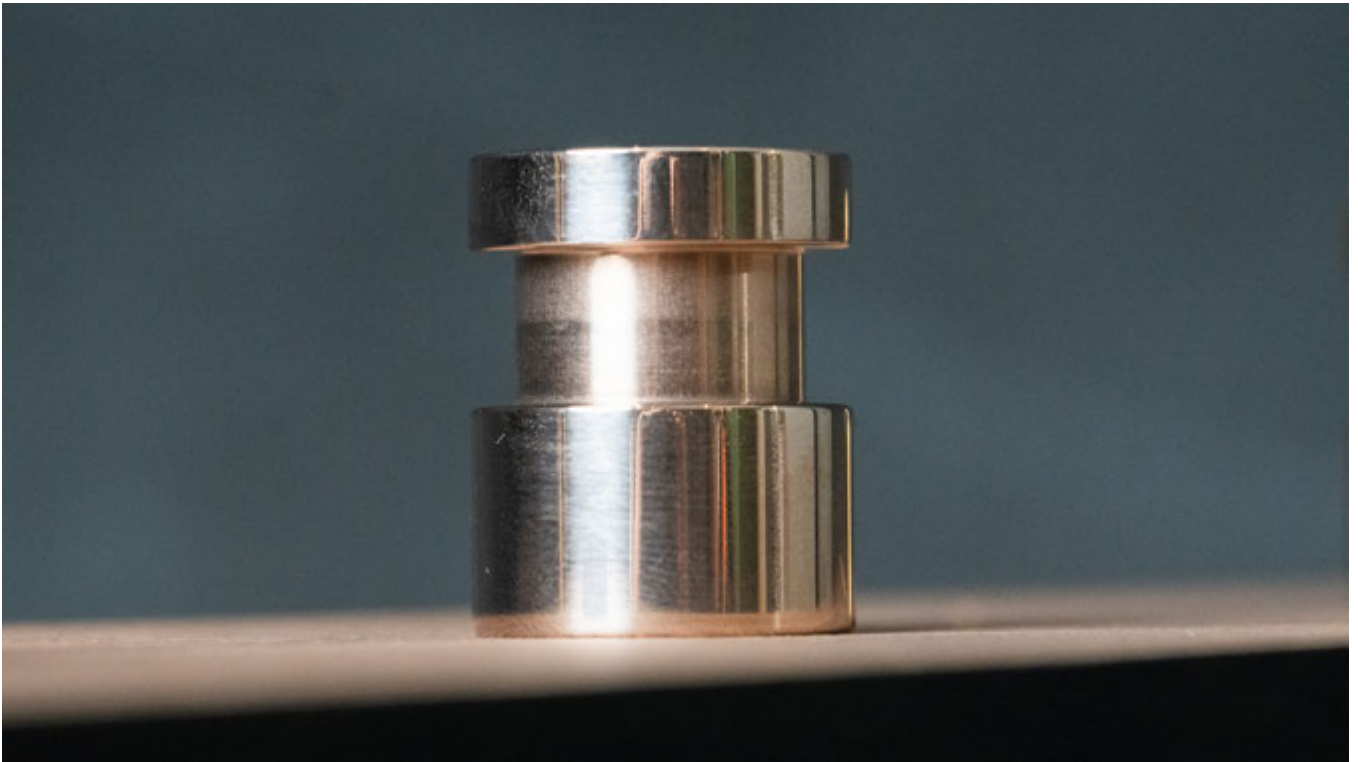
TECHNICAL SPECIFICATIONS

braided leather, black & die-cast zinc,
baked finish, black



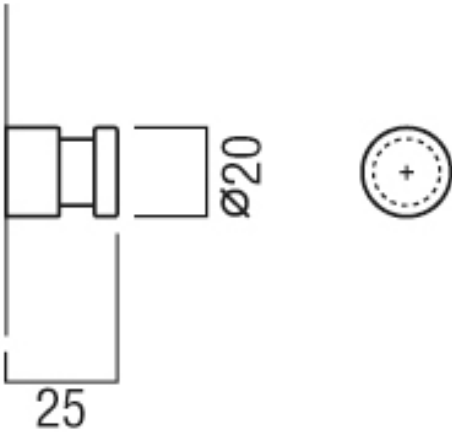
ELMES
CABINETS
BRASS
SAKURA PINK
PLATED



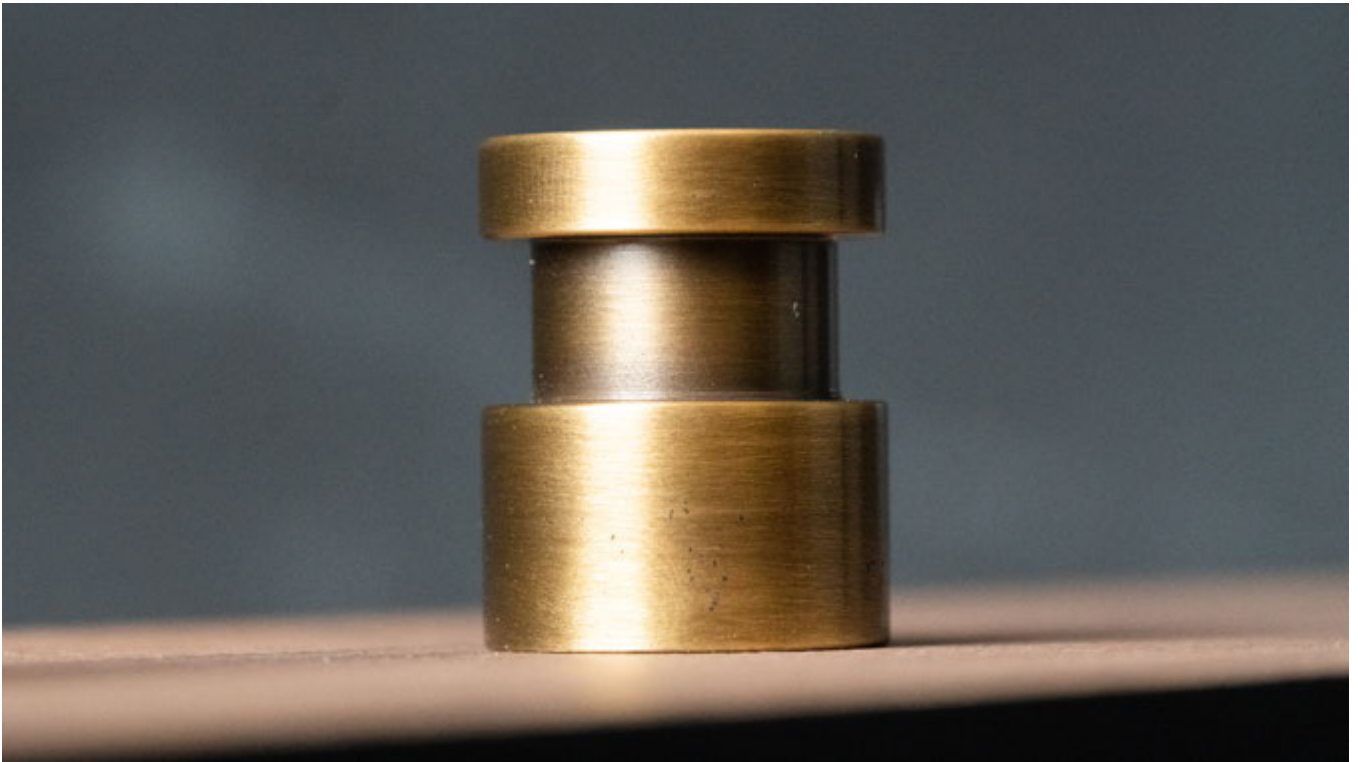


TECHNICAL SPECIFICATIONS

stainless steel,
SAKURA Pink plated



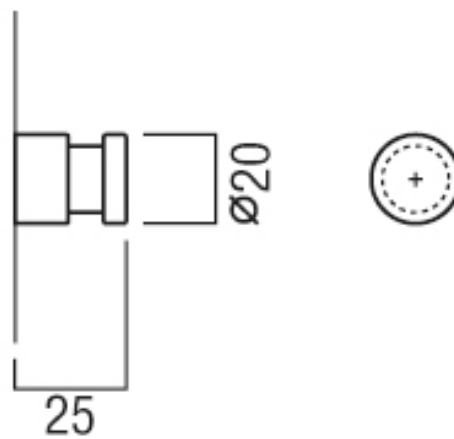
ELMES
CABINETS
OXIDISED
GOLDBRONZE





TECHNICAL SPECIFICATIONS

stainless steel,
SAKURA Pink plated




FritsJurgens



Under Hans Susantio's guidance, Vindate meticulously specified Turnstyle Designs' British-made hardware, ensuring each selection harmonized with their interior concepts. The compatibility of Turnstyle's products across doors and furniture allows for a cohesive design theme, aligning with Vindate's commitment to quality and aesthetic unity.







Established in the Netherlands, FritsJurgens was founded to create pivot door solution. The goal is to continuously increase and facilitate the endless design possibilities that pivot doors offer while also enabling unparalleled door movement for every type of pivot door.





SYSTEM M+

System M+ pivot hinge brings Latch Control to ensure proper latching, guaranteed control over the movement of doors up to 20 kg to 500 kg, and extra adjustability for the movement of the door.

TECHNICAL SPECIFICATIONS

Material: Stainless Steel, Anodized Aluminum
 Capacity : 500 kg
 Door width : 400 - 5000mm

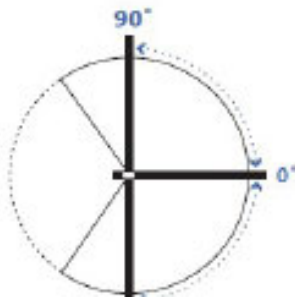
FUNCTION

Double-acting doors

Rotation 180°

Hold positions 90°, -90° and 0°

Self-closing from 125° and -125° to 0°



Single-acting doors

Rotation 90°

Hold positions 90° and 0°

Self-closing from 125° to 0°



VARIANTS

M32+

70 mm



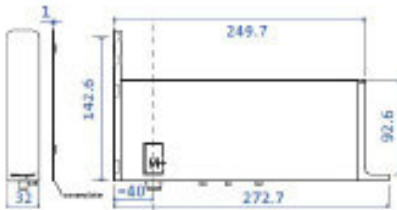
Class A | 80 kg to 119 kg* door

Class B | 120 kg to 159 kg* door

Class C | 160 kg to 209 kg* door

Class D | 210 kg to 279 kg* door

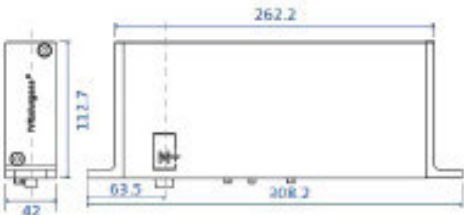
40 mm



Class E | 280 kg to 349 kg* door

M42+

70 mm



40 mm





SYSTEM 3

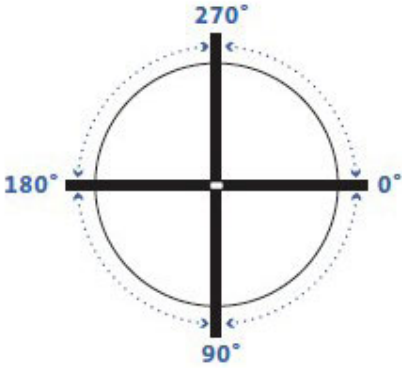
System 3 offers 360° rotating pivot system with various positions, ideal for pivoting walls. The high load-bearing capacity of the hinges gives freedom to create pivot doors that exceed the function of a normal door and become true design statements.

TECHNICAL SPECIFICATIONS

Material: Stainless Steel, Anodized Aluminum
Capacity : 350 kg
Door width : 1000 - 3800 mm

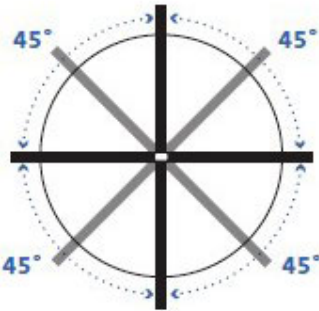
FUNCTION

Double-acting doors
Rotation 360°
Hold positions 0°, 90°, 180°, 270°

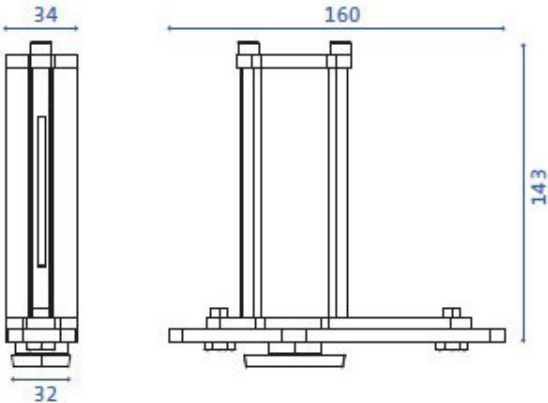


MOVEMENT

Door moves from each 45° angle, in both directions, to a hold position.



VARIANTS



Class A | 80 kg to 119 kg* door
Class C | 160 kg to 209 kg* door
Class E | 280 kg to 349 kg* door
Class G | 430 kg to 500 kg* door

*Depending on door width



**halliday
baillie**





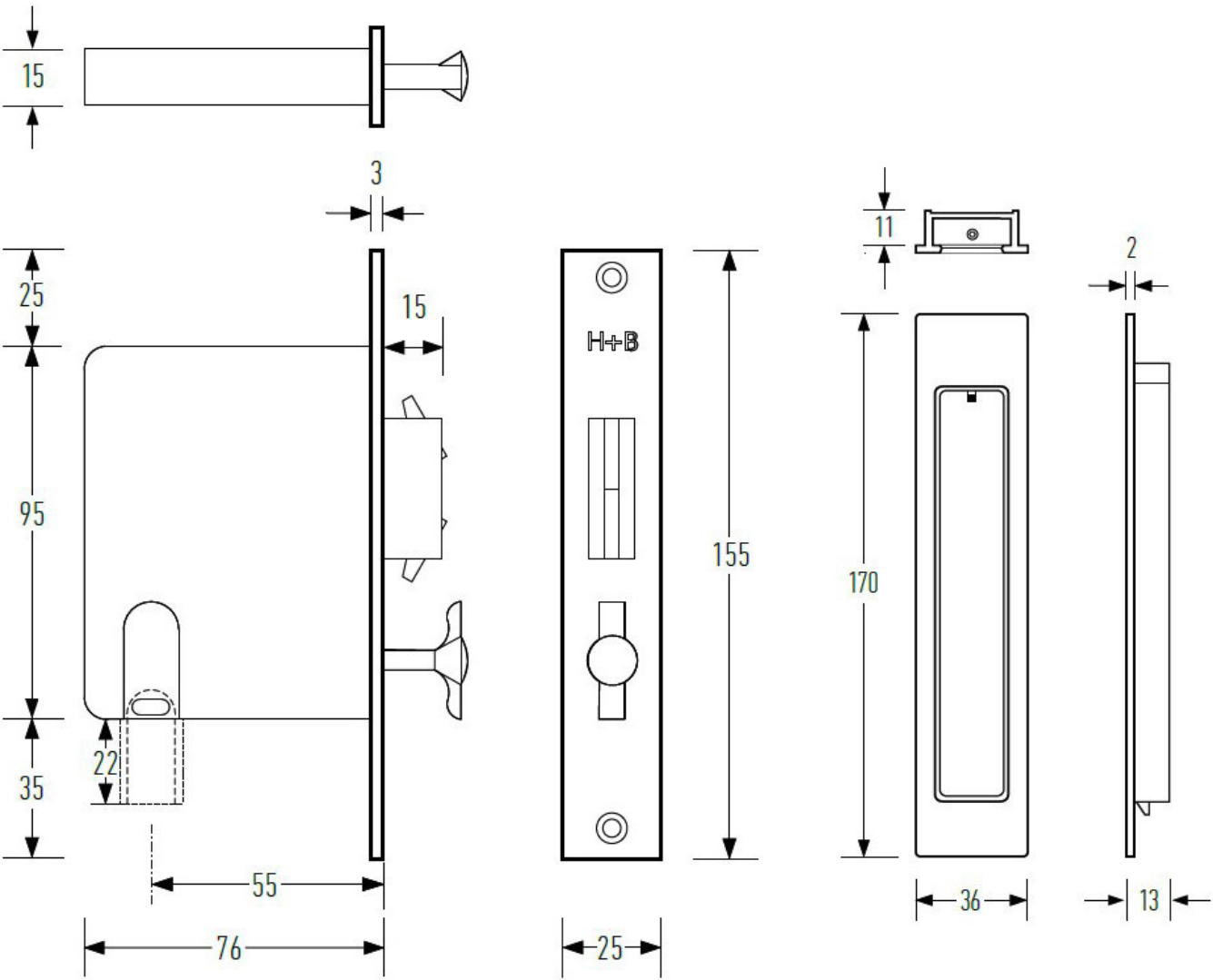
SLIDING DOOR PRIVACY LOCKSET

Sliding door privacy lockset is design for safe, efficient, locking on every door. This lockset comes with a small recessed end pull for easy use to pull the slider from the pocket. Minimum door thickness required is 38mm.



TECHNICAL SPECIFICATIONS

Material : Diecast zinc with brass and 316 stainless steel





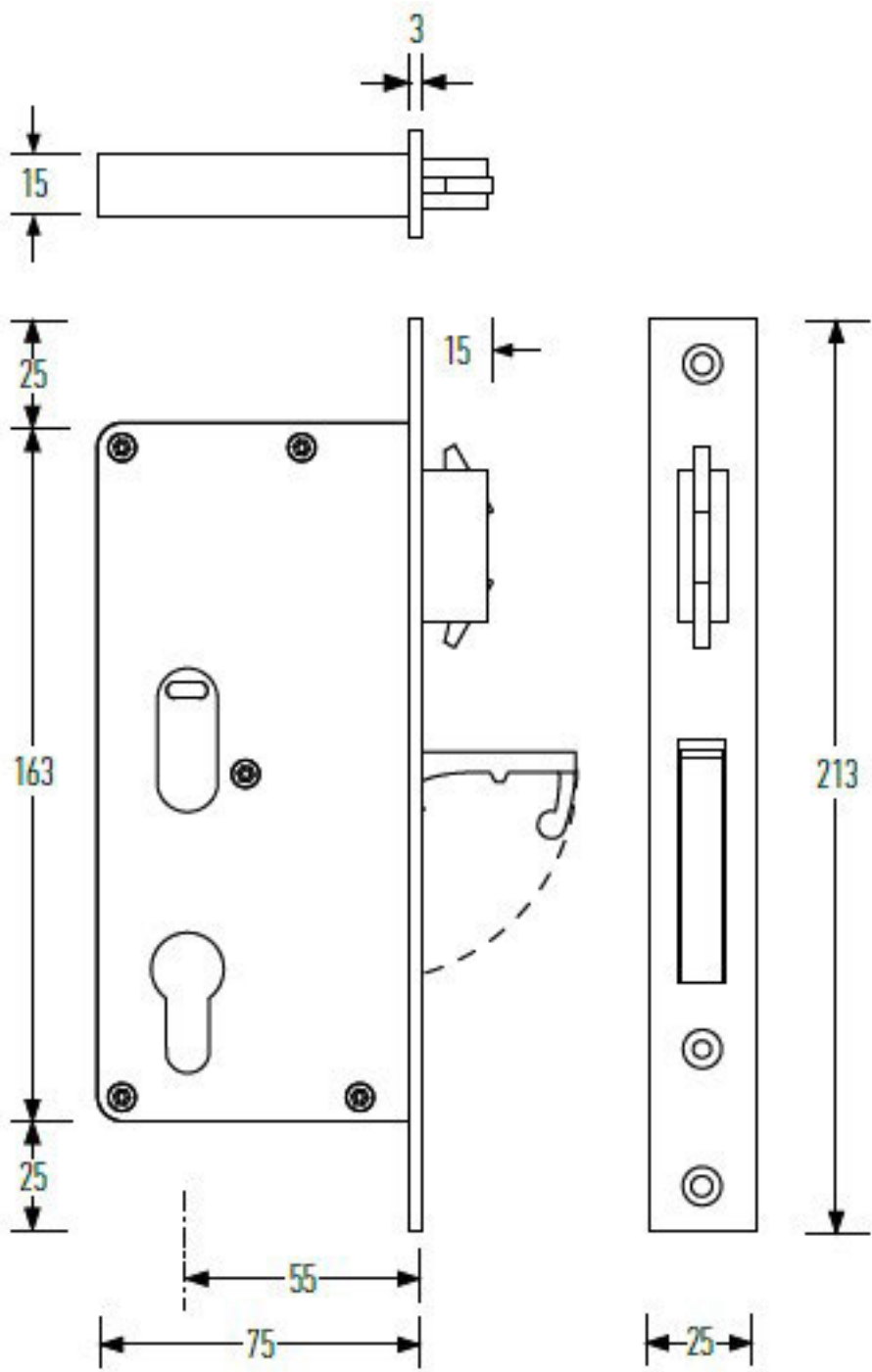
SLIDING DOOR ENTRY LOCK SET WITH END PULL LOCKSET

This lockset provides various locking configurations with the addition of a finger pull in the forend of the lock body. It also comes with a key and snib flush pull to both sides of the sliding door.



TECHNICAL SPECIFICATIONS

Flush Pull Material : Diecast Zinc and Brass
Lock Body Material : Diecast Zinc, Brass,
316 Stainless Steel



TIRAR™

TUI SLIDING DOOR HANDLE

TUI . VIETNAMESE, FOR “POCKET”

Like a pocket, TUI sliding handle is created to evoke interaction. The distinctive design sits perfectly to wide range of architectural styles. Material is carefully selected and sourced, sealed in marine grade sealer and finished with marine grade clear top coat satin finish.





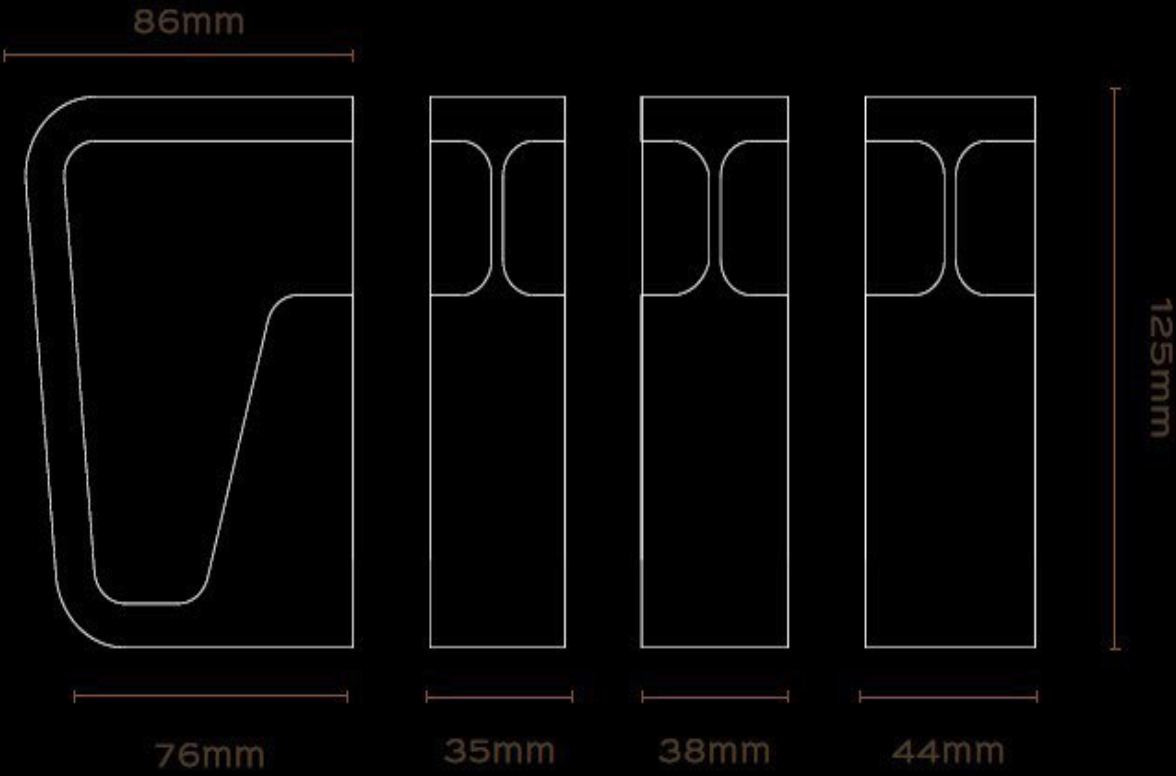




TECHNICAL SPECIFICATIONS

Material: Solid timber

Finishing : American White Oak | American Walnut



TUI FRAMELESS GLASS SLIDING DOOR HANDLE



BEAUTY WITH PURPOSE

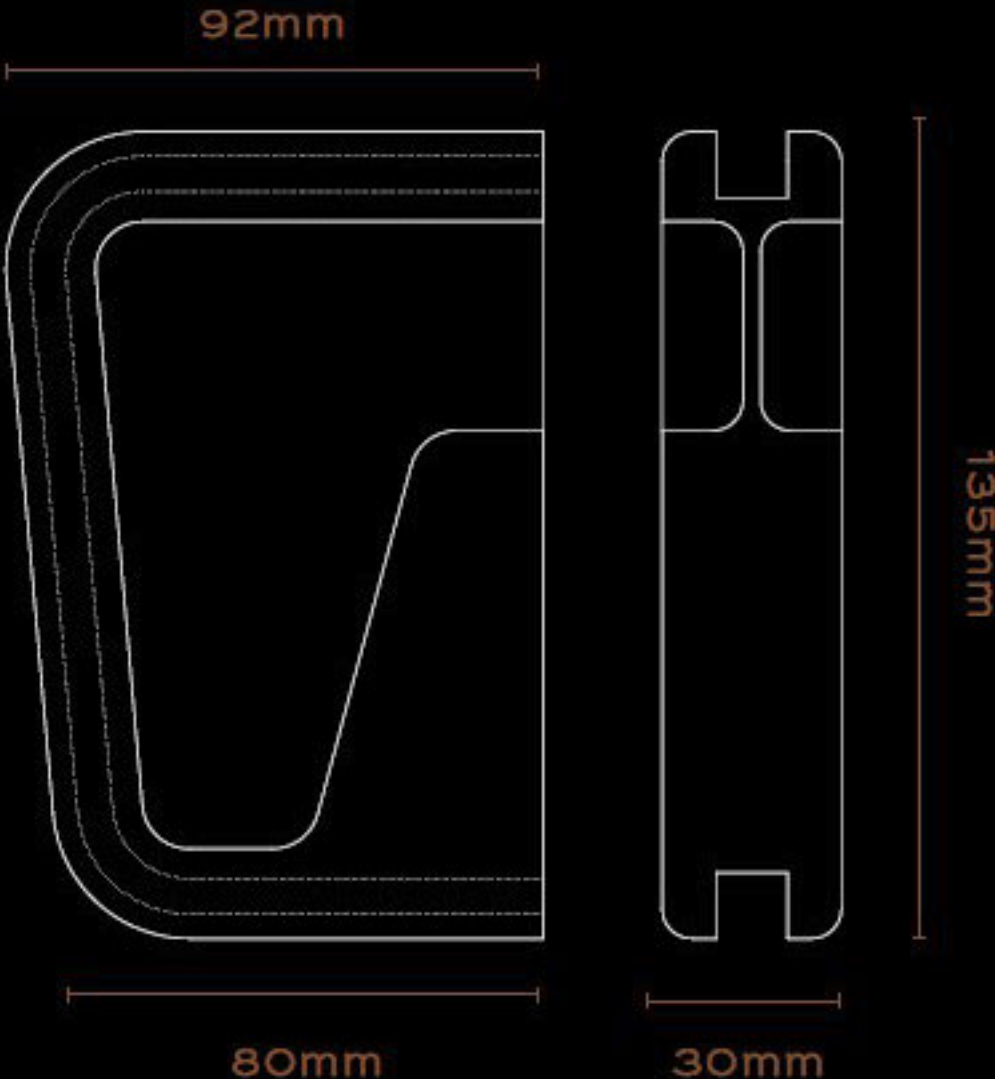
TUI can be presented onto doors with wide ranges of bespoke timbers and finishes, complemented with exotic wood grain on its surface as accents.



TECHNICAL SPECIFICATIONS

Material: Solid timber

Finishing : American White Oak | American Walnut



KORKKI 330



KORKKI 300

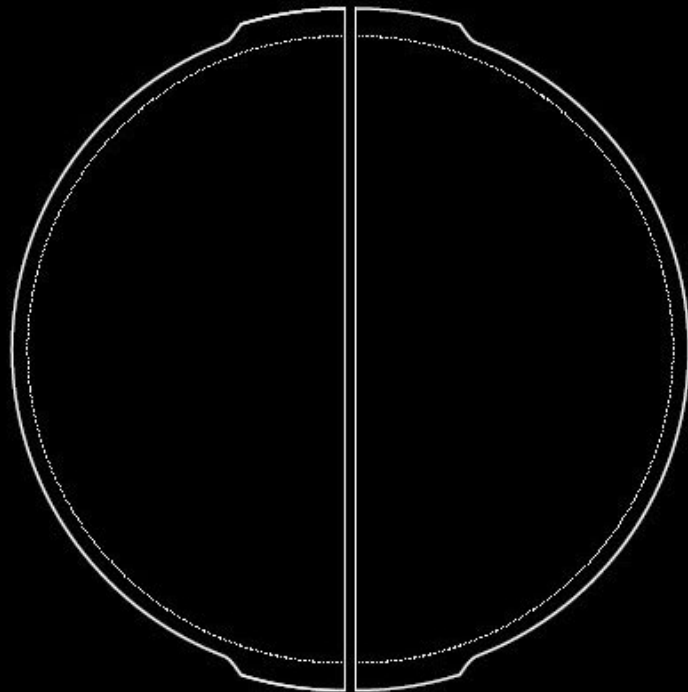
It is about making an entrance. Not just a thing of beauty to be observed, the elegant form is a statement door pull designed to be comfortable to hold.



TECHNICAL SPECIFICATIONS

Material: Solid timber.

Finishing: American walnut, American white Oak.



300mm



The perfect collaboration between functional and beautiful.

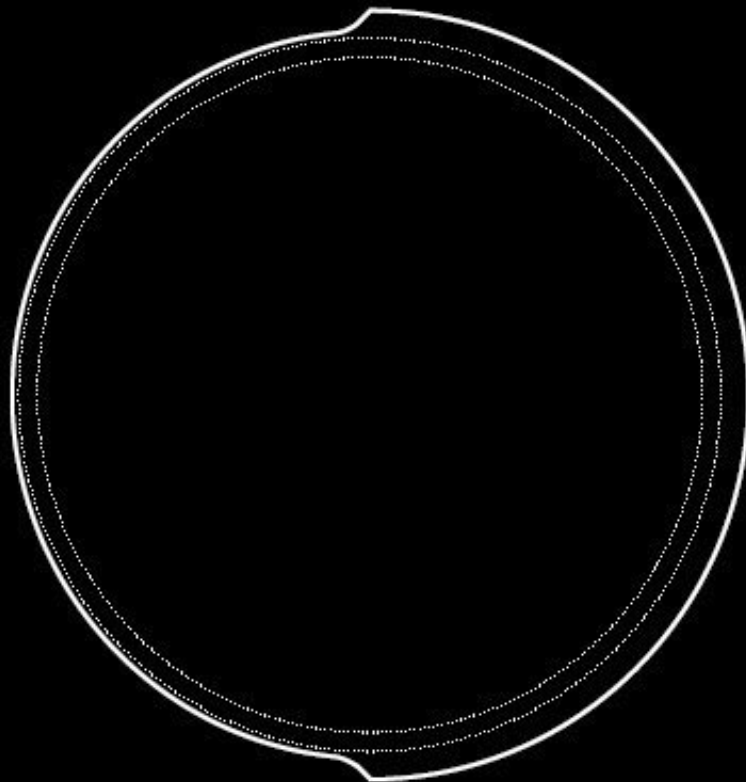
Executed in a selection of natural materials, the organic lines flow smoothly through surfaces. A classic shape, beautifully refined and detailed.



TECHNICAL SPECIFICATIONS

Material: Solid timber.

Finishing: American Walnut, American White Oak.



200mm or 150mm



KONNER

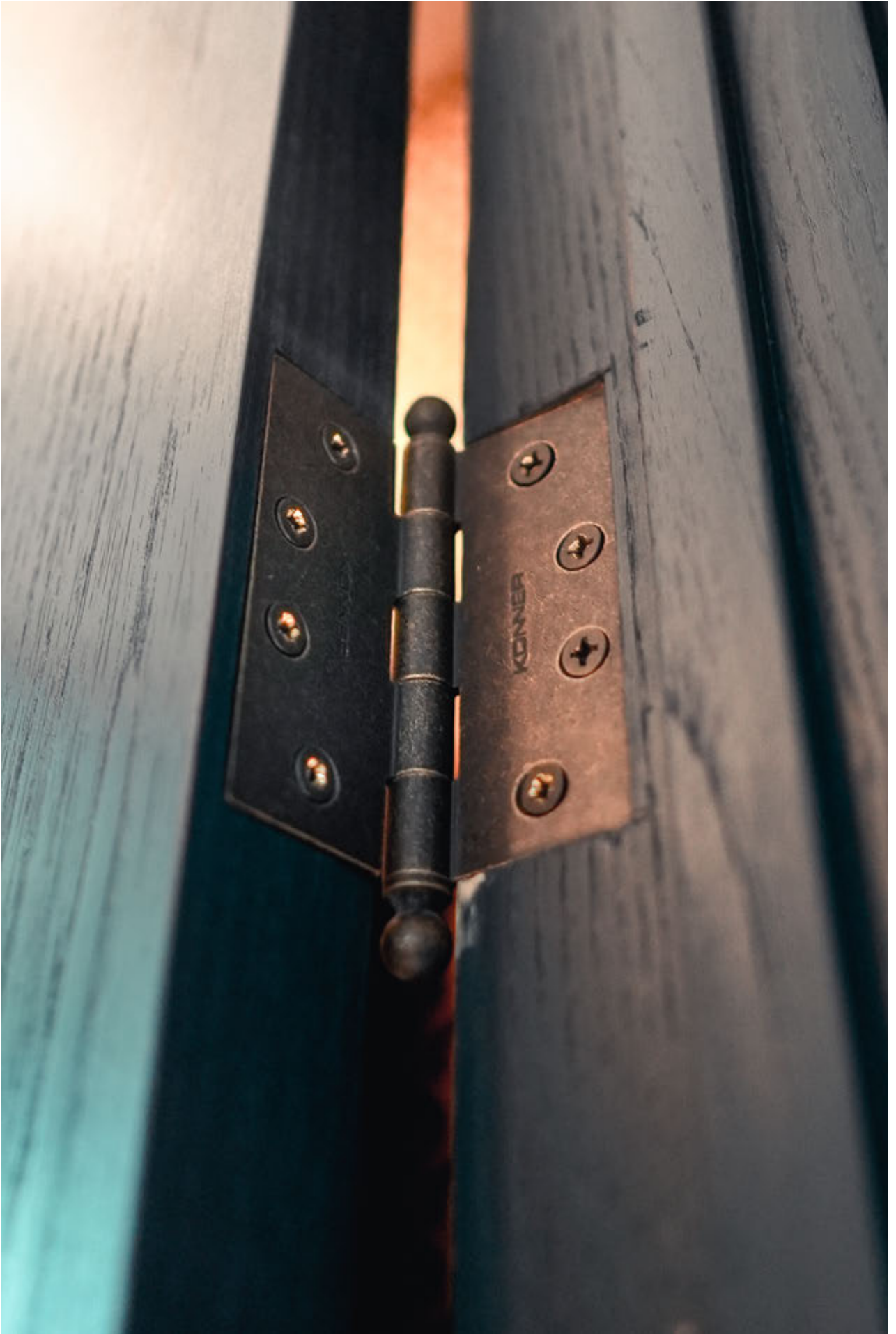


Konner stands at the crossroads of architectural needs and artistic vision. It's more than just a brand; it's a philosophy that redefines the essence of door hardware. The Konner collection offers architects and designers not just the assurance of durability but a harmonious blend of design and functionality.



DISCOVERING
KONNER PRECISION:
WHERE ARCHITECTURE
MEETS ARTISTRY





Unified Elegance

The journey of Konner began with a singular, yet profound request from a designer: "Can all the door hardware exhibit a unified tone?" This simple question sparked a revolution. The result? A meticulously crafted palette of colors – Black, Umber, Brass, Satin – each in perfect harmony with hinges, locks, bolts, handles, latches, and cylinders. Imagine a door, not just as an entryway, but as a testament to singular tonal beauty.

Legacy of Durability

Consider this: a door typically experiences over 1,000 openings and closings each year. Konner hardware was designed with a vision – to withstand 200,000 such cycles. That's not just a number; it's a commitment to quality that spans decades, making Konner a legacy for multiple generations.

The Essence of Value

Konner believes in a triad of consistency: Tone, Quality, Value. Every step in our manufacturing process is geared towards maintaining uniformity in pricing across all color finishes within each product family. This approach simplifies the specification process, ensuring that designers are free to create without constraints, ensuring every design choice is within reach.



KONNER

STEALTH

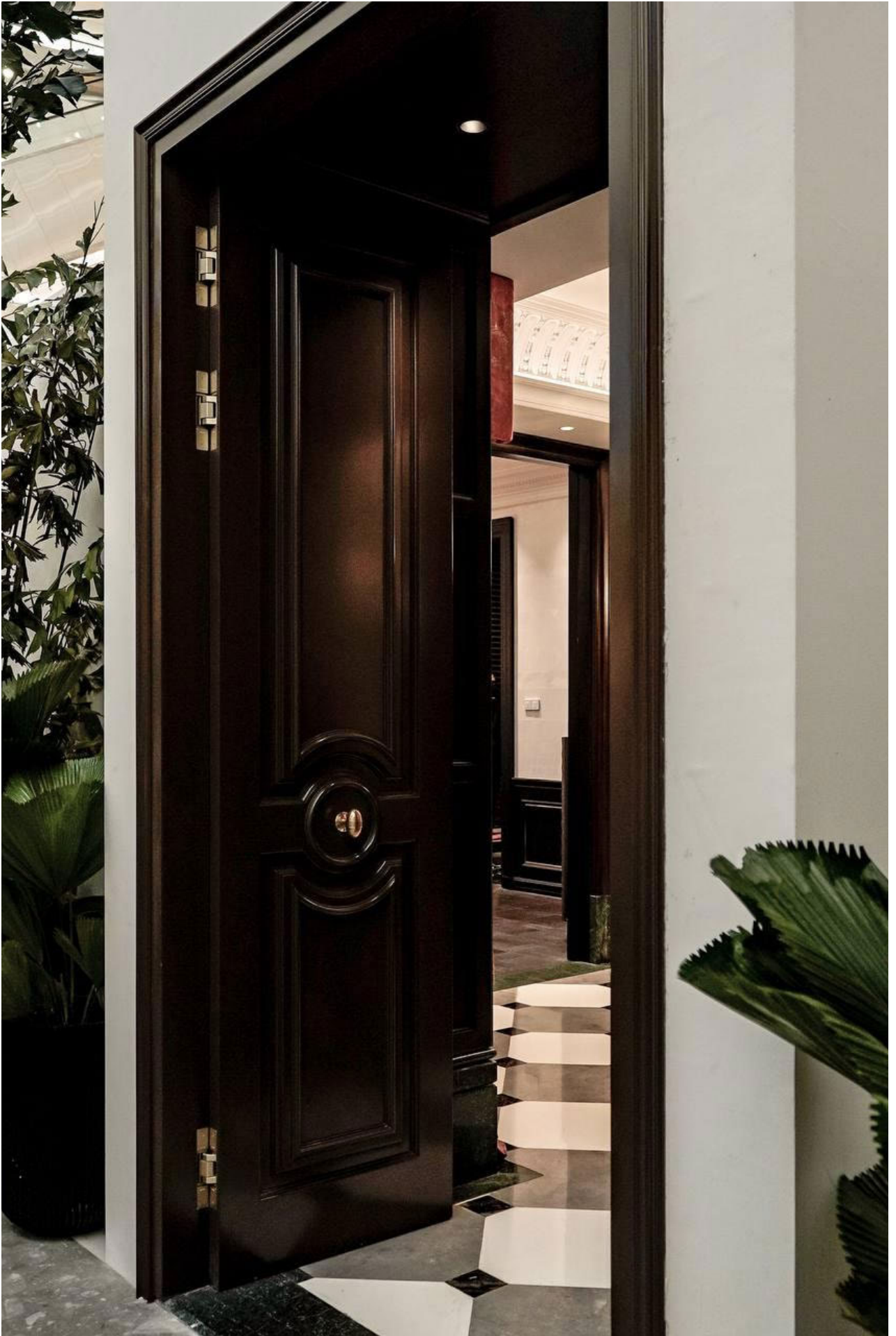
The Evolution of Elegance: Introducing Konner Stealth





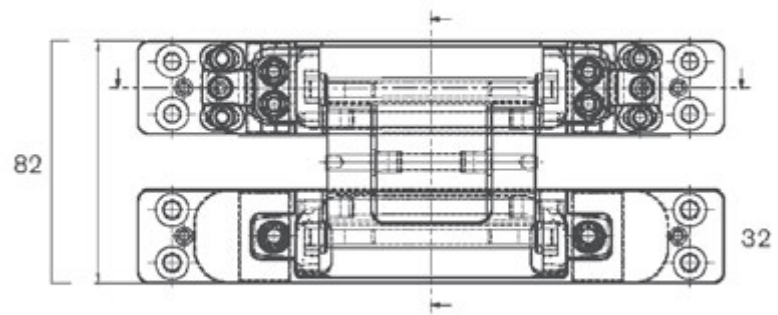
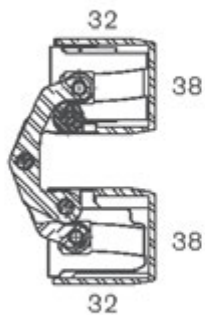
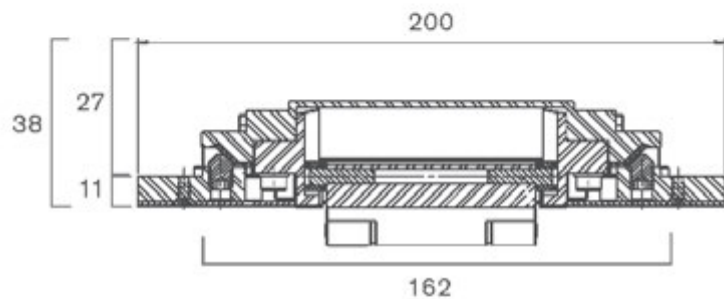
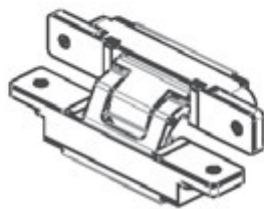


The Konner narrative took a revolutionary turn with Stealth – a blend of tomorrow’s architectural ingenuity with today’s aesthetic demands. This journey into uncharted territories of design and technology led to the birth of something remarkable. How do architecture and design unite? How can technology and art coalesce? The answers lay in the three fundamental principles that define Stealth.



TECHNICAL SPECIFICATIONS

	Stealth 100	Stealth 150	Stealth 180	Stealth 300
Load Capacity :	100 kg	150 kg	180 kg	300 kg
Length :	190 mm	200 mm	230 mm	280/260 mm
Width :	34/32 mm	32 mm	32 mm	32 mm
Thickness :	28 mm	38 mm	44.5 mm	41.5 mm
Minimal Door Thickness :	45 mm	45 mm	50 mm	45 mm
Opening Angle :	180°			
Composition :	Aluminium			
Finishing :	Matt Black, Gold Satin, Titanium Grey, Dark Brown			

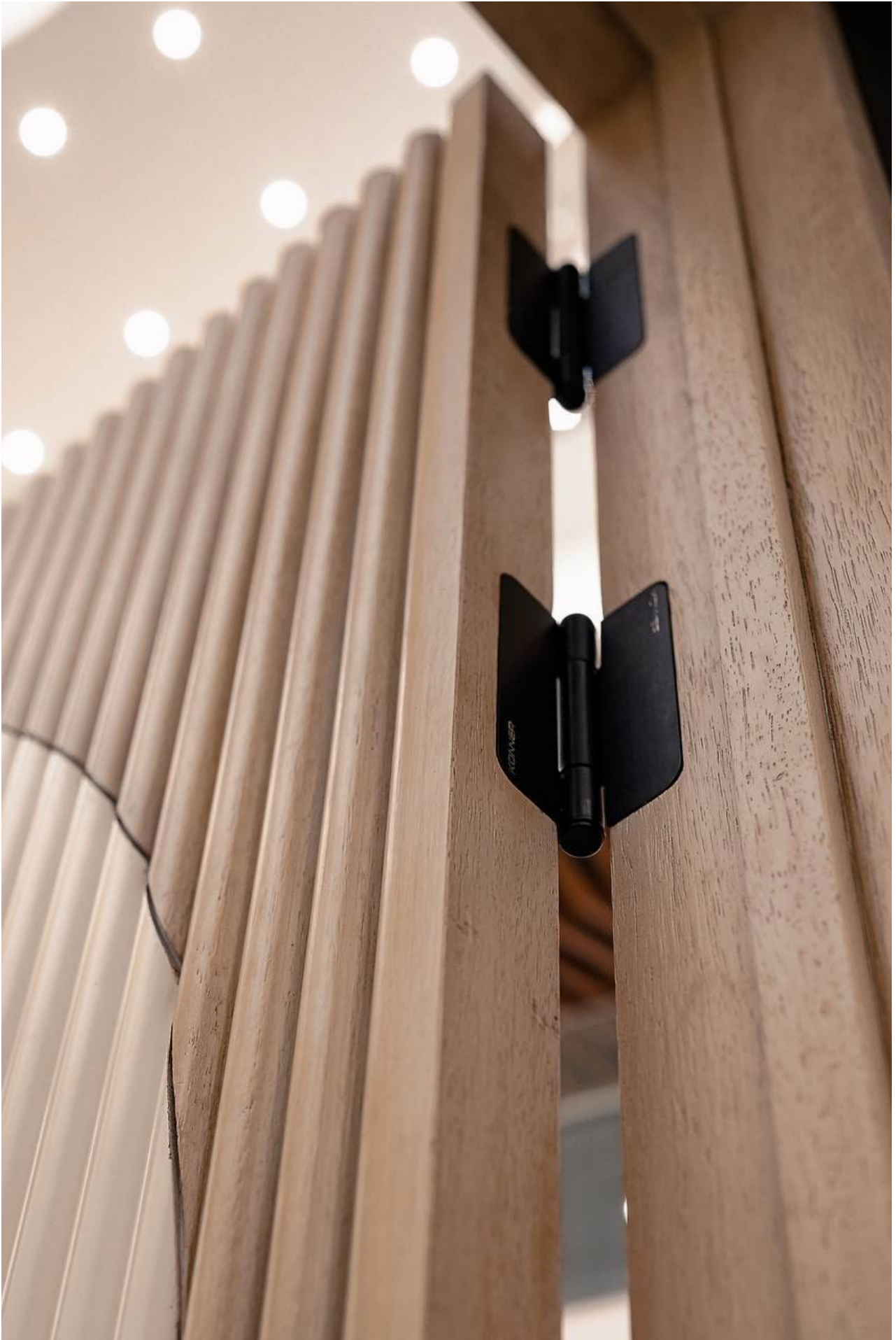


KONNER

TITAN



Advanced
Material for
Superior
Durability





Featuring an enhanced composition with molybdenum, Stainless Steel Grade 316 endows Titan with extraordinary corrosion resistance. This reassures our partners, especially in coastal settings, of its lasting quality and performance.



TECHNICAL SPECIFICATIONS

Load Capacity : 180 kg

Length : 114.3 mm

Width : 76.2 mm

Thickness : 63 mm

Minimal Door Thickness : 38 mm

Opening Angle : 180°

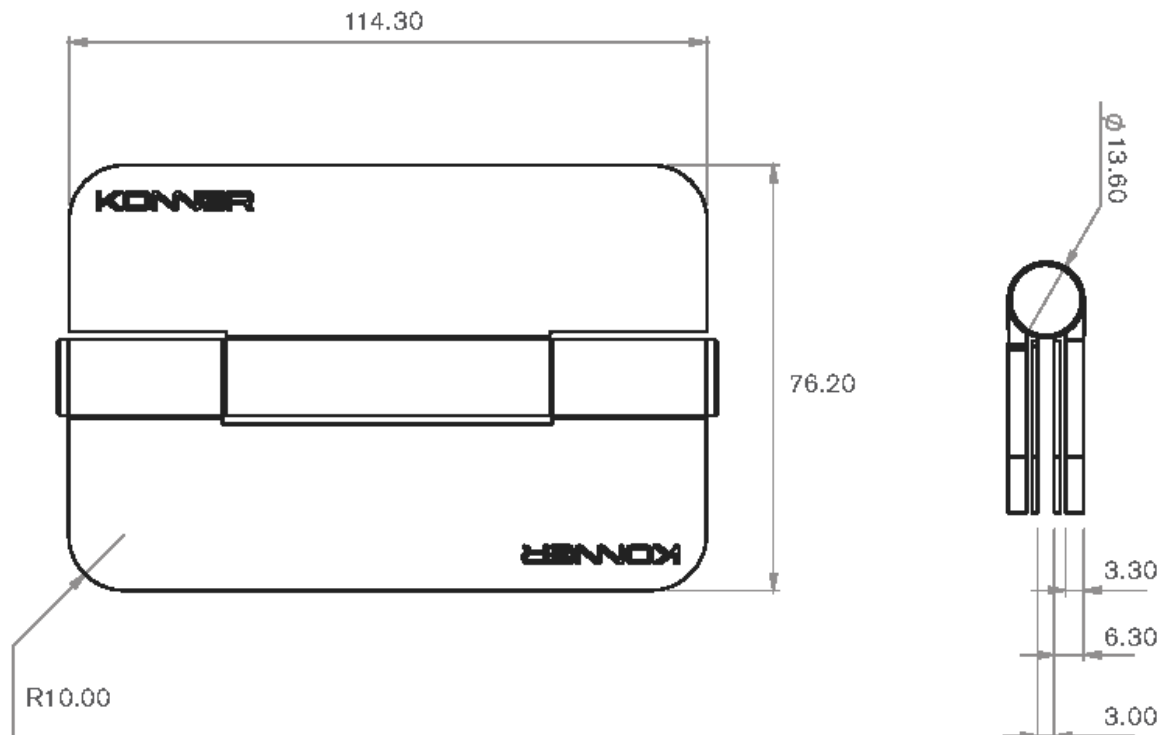
Composition : Stainless Steel 316

Finishing : Dark Brown

Black

Gold Polished

Brass Polished



KONNER

Cold Steel

KONNER
Cold Steel



SEAMLESS STRENGTH, ADVANCED LOAD-BEARING,
MAINTENANCE-FREE

Made with Stainless Steel in UK, Cold Steel are designed to enhance the overall look of door hardware. The bearing arrangement in Cold Steel account for both vertical and lateral loads up to 120kg. In conjunction with the various color finishings, cold steel deliver unrivalled performance on both beauty and functionality.







Konner Cold Steel features advanced load-bearing technology for smooth, maintenance-free operation, supporting doors seamlessly through countless cycles without the need for ball bearings or oil.

TECHNICAL SPECIFICATIONS

Load Capacity : 120 kg

Length : 101 mm

Width : 74 mm

Thickness : 3 mm

Minimal Door Thickness : 36 mm

Opening Angle : 180°

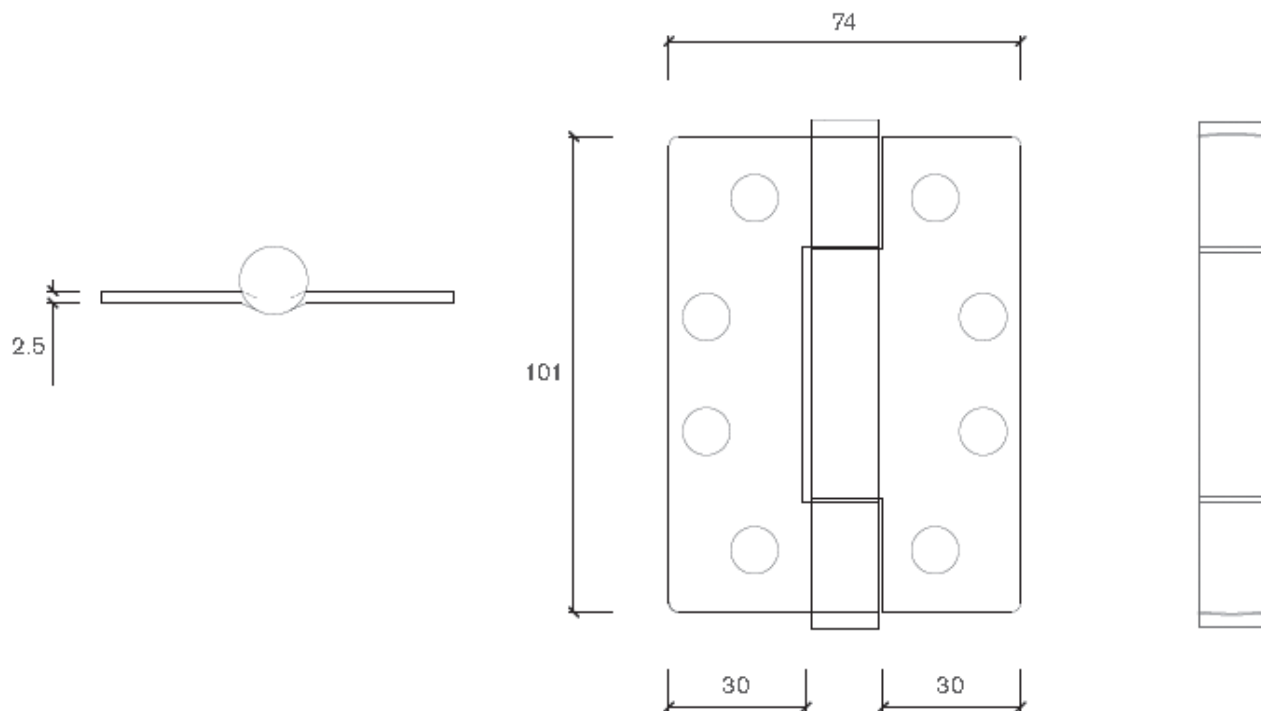
Composition : Stainless Steel 304

Finishing : Dark Brown

Black

Gold Polished

Brass Polished



KONNER
athena



CLASSIC FORM OF
GRANDEUR AND
FUNCTIONALITY.





There are times where art takes a forefoot, ahead of hardware. The audacity to make a bold statement. Crafted not as a support of the design philosophy, but a philosophy itself. Yet philosophy does not give way to quality. CNC processing ensures a highly precise and seamless finishing, and completed with adjustable ball bearings.

A Bold Statement in Design

The journey of Konner began with a singular, yet profound request from a designer: "Can all the door hardware exhibit a unified tone?" This simple question sparked a revolution. The result? A meticulously crafted palette of colors – Black, Umber, Brass, Satin – each in perfect harmony with hinges, locks, bolts, handles, latches, and cylinders. Imagine a door, not just as an entryway, but as a testament to singular tonal beauty.

The Philosophy Behind Athena

Each Athena hinge is a masterpiece, born from the audacity to blend functionality with aesthetic boldness. This series is crafted not just to complement the design but to be an integral part of the artistic expression of any space.

Precision Engineering and Seamless Finishing

Precision is key in Athena's creation. Utilizing advanced CNC processing, we achieve a level of precision and seamless finishing that transcends the need for traditional ball bearings. The result is a hinge that is not only a visual triumph but also a pinnacle of functionality and durability.

A Fusion of Quality and Aesthetics

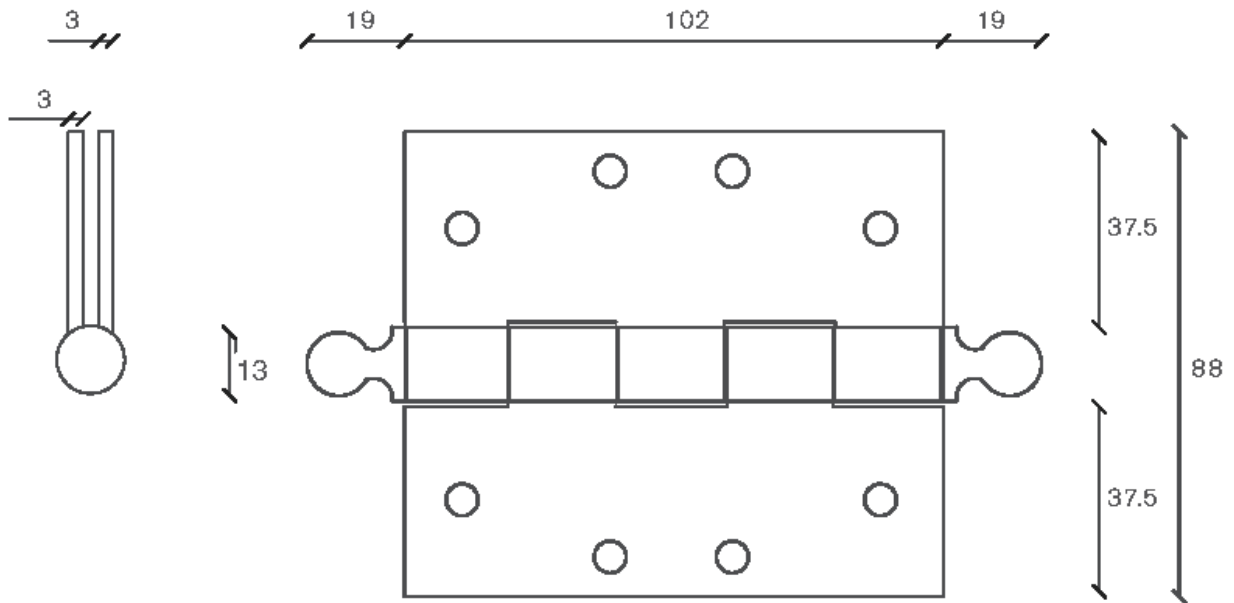
Konner Athena stands as a testament to the belief that in the world of design, quality should never be compromised for style. Here, every hinge is an ode to the philosophy that when art takes the forefront, the hardware should rise to meet it.



TECHNICAL SPECIFICATIONS

Load Capacity	: 120 kg
Length	: 102 mm
Width	: 37.5 mm
Thickness	: 3 mm
Minimal Door Thickness	: 38 mm
Opening Angle	: 180°

Composition	: Brass
Finishing	: Nickel Satin
	: Gold Satin Nickel
	: Antique Distressed Black
	: Satin Distressed

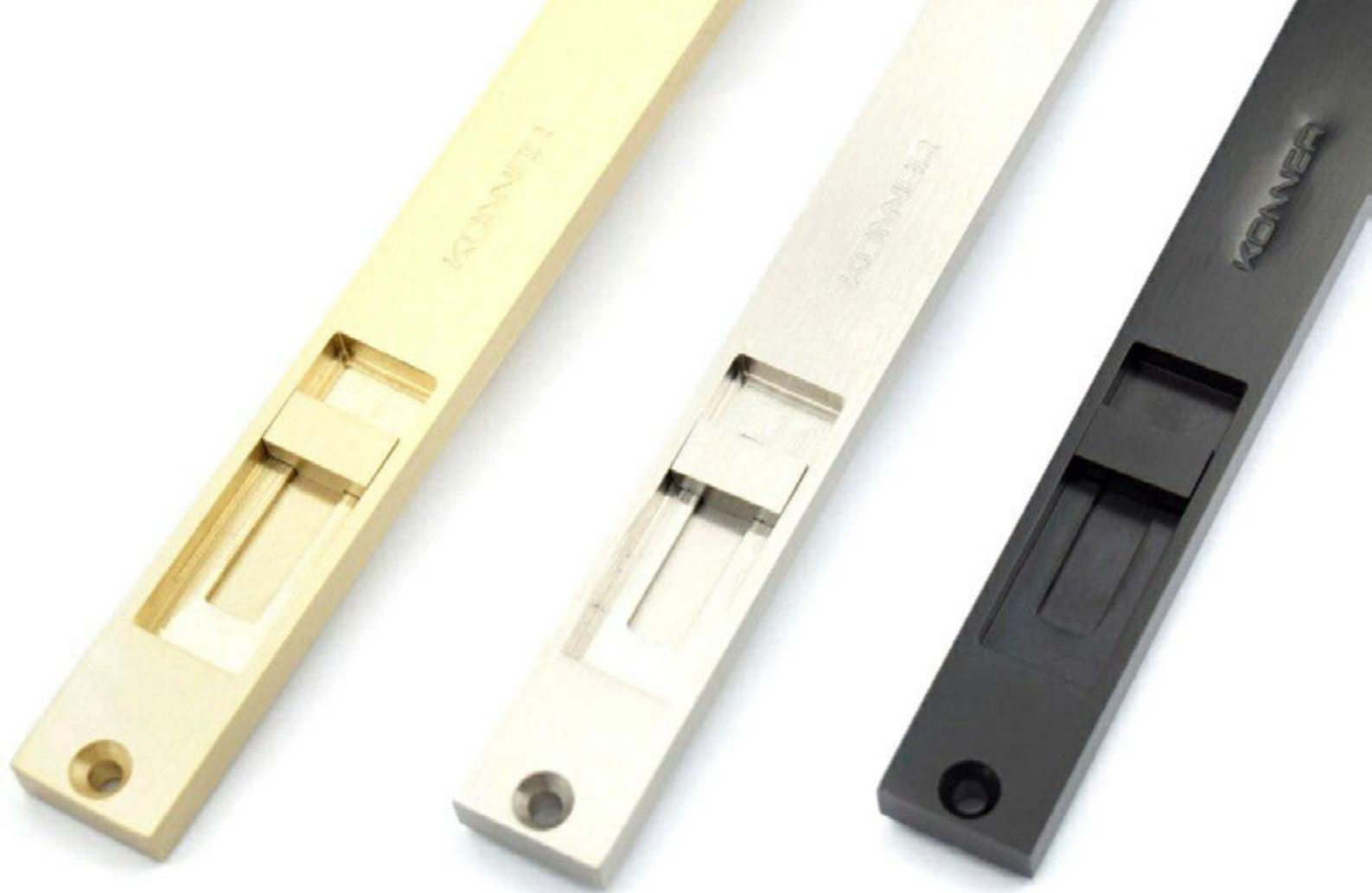


KONNER
BÖLT

AVIATION-GRADE
FLUSHBOLT FOR
DOUBLE DOORS.





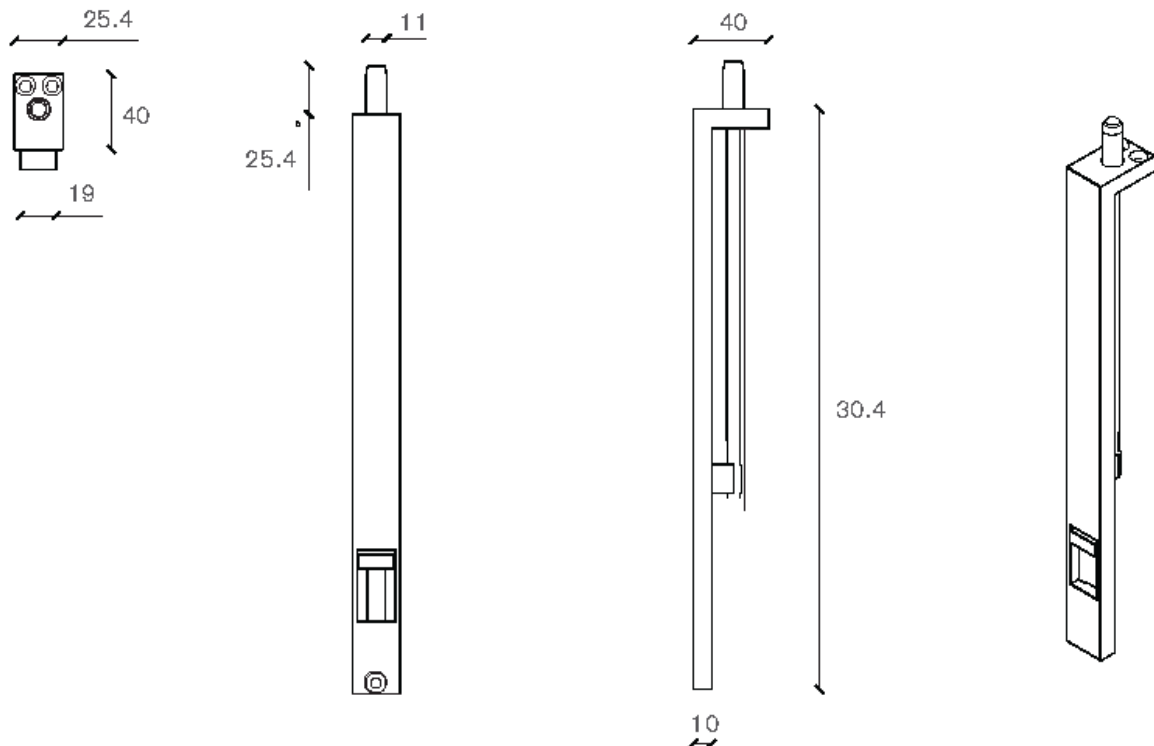


Built to last from the word Go. CNC from a single block of brass to ensure accuracy to nanometers. Refining the idea of a flushbolt, rethinking every element down to the throw and the edges. Bolt represents the pinnacle of precision in door hardware, moving well beyond what is required, to setting a new normal. Setting a new standard for flushbolts.




TECHNICAL SPECIFICATIONS

	Bolt 300	Bolt 1000
Length :	300 mm	1000 mm
Width :	25.4 mm	25.4 mm
Throw Length :	25.4 mm	25.4 mm
Throw Diameter :	11 mm	11 mm
Composition :	Brass	Brass
Finishing :	Black, Nickel, Brass	Black, Nickel, Brass

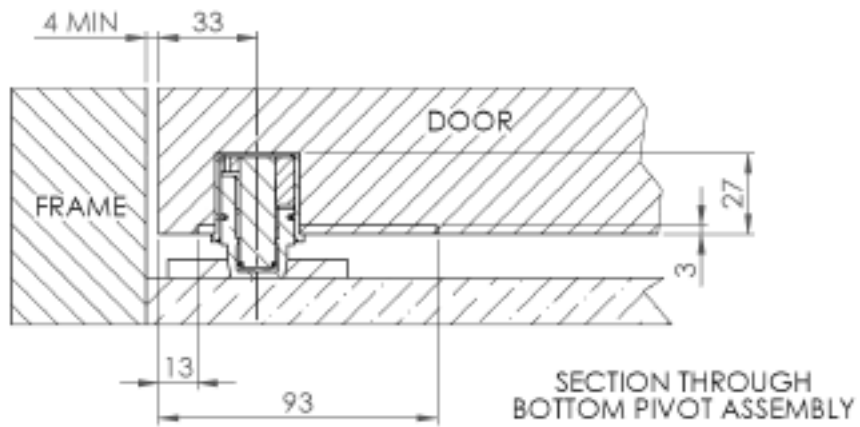
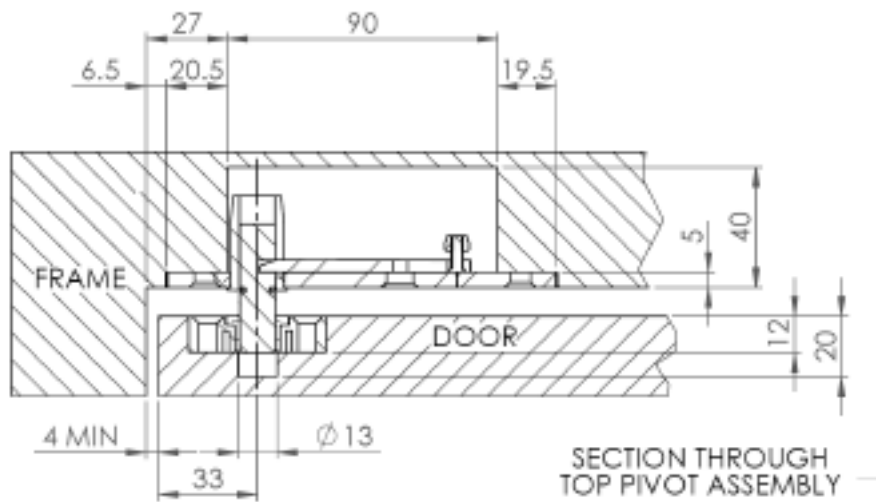


KONNER
AXON



KONNER AXON SELF-CENTERING PIVOT

Elevate the functionality of your doors with the Konner Axon Self-Centering Pivot. This heavy-duty pivot system is a game-changer for any interior space, combining effortless operation with durable construction. It's designed to allow your door to swing smoothly in both directions, returning to the closed position under gravity. This feature not only adds a modern, sophisticated touch to your environment but also ensures convenience and ease of use.



KONNER
MAGNETA



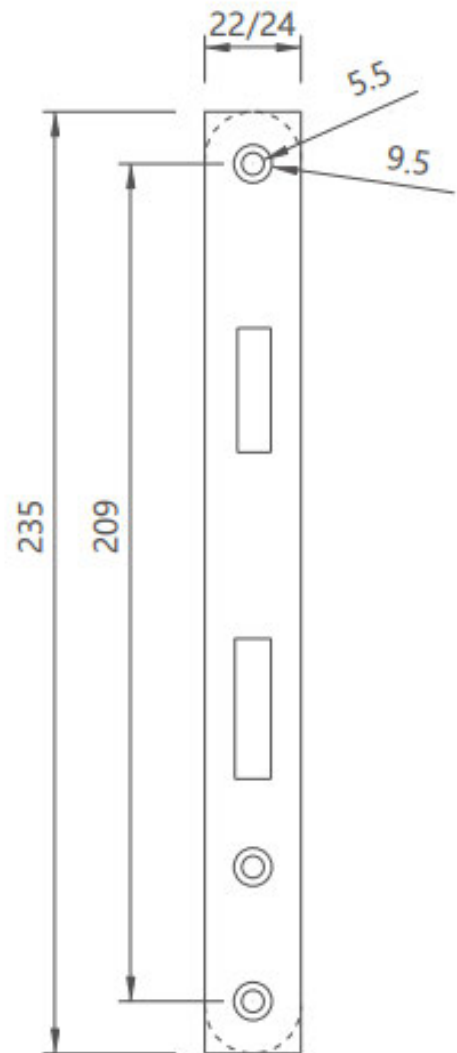
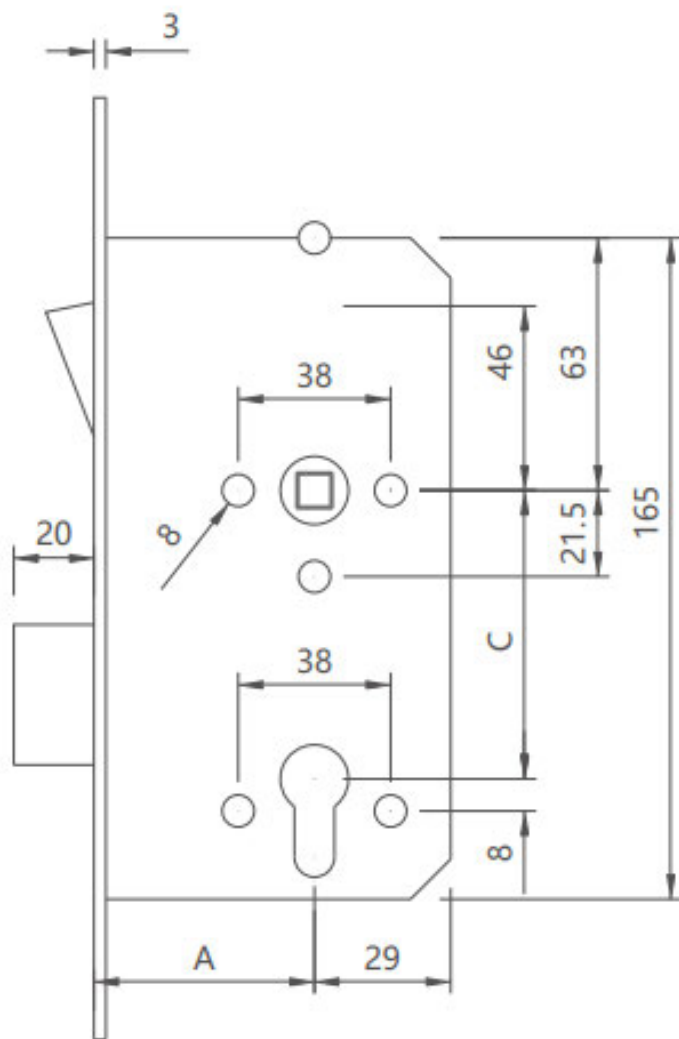
SILENCE AT WORK





Discover the cutting-edge Konner Magneta, a magnetic latch locking system transforming the way doors are secured, both indoors and outdoors. Its pioneering magnetic technology offers a secure, silent operation that eradicates the familiar noise of traditional latches. The result is a whisper-quiet closure, setting a new standard in door locking efficiency.





Unlock the Benefits:

The Magic of Athmer Door Seals

Welcome to a world where the whisper of the wind stays outside, and the coziness of your hearth remains untouched. Athmer door seals are more than just a barrier; they are the silent guardians of your sanctuary.

✔ **Embrace Efficiency:**

Imagine a world where your energy bills shrink, yet your comfort expands. Athmer seals make this a reality, creating an invisible shield that keeps your climate perfectly balanced, no matter the whims of Mother Nature.

✔ **The Sound of Silence:**

In the hustle of life, peace is priceless. With Athmer's noise-reducing prowess, transform your space into an oasis of tranquility, where the chaos of the outside world is nothing but a faint echo.

✔ **Comfort in Every Corner:**

Feel the embrace of a draft-free room, where each breath is fresh and free from the unseen invaders of dust and allergens. Athmer seals guard your comfort with unwavering dedication.

✔ **An Invisible Shield:**

Tiny intruders have no place in your haven. Athmer door seals stand as a vigilant barrier, keeping your space pristine and untouched by the outdoor world's tiny trespassers.

✔ **Elegance Meets Endurance:**

These seals don't just protect; they enhance. Designed to complement your door's style, they add a touch of elegance while promising durability and ease of maintenance.

*In conclusion, Athmer door seals are more than just functional; they are a key element in crafting a space that is energy-efficient, peaceful, comfortable, and aesthetically pleasing. It's not just about sealing a door; it's about opening a door to a better quality of life.

athmer



Schall-Ex®
L-8/30 WS

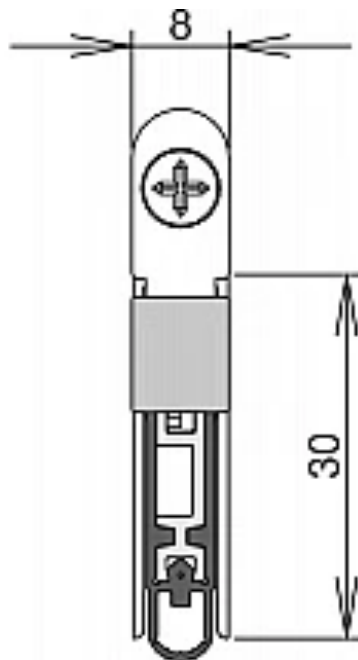
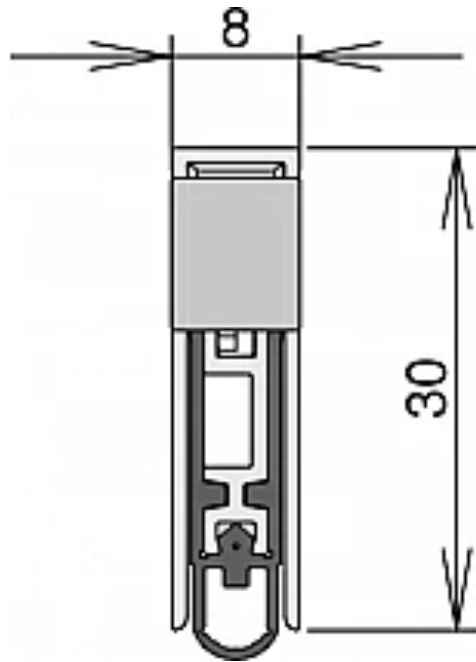


Schall-Ex® L-8/30 WS
Art.Nr. 1-1000

- for the 2nd sealing level of highly sound-insulating doors
- parallel lowering
- no offset of the inner profile
- slide-out inner profile
- level compensation for uneven floors
- tool-free adjustment



TECHNICAL DRAWINGS





PS 3665 P



PS 3665 P

- double fin perimeter and meeting stile seal
- suitable for sound insulation
- suitable for smoke sealing

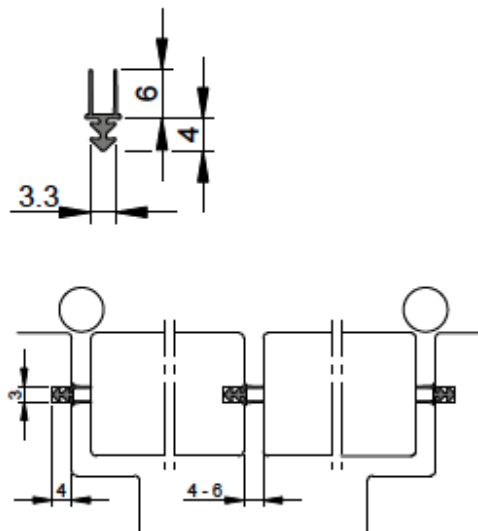
TECHNICAL DRAWINGS

TECHNICAL DATA

Application	timber frame & door rebates
Gasket material	rigid PVC base, flexible PVC fins
Working temperature range	-20°C to +60°C

DIMENSIONS

Width x height	3.3 x 10 mm
Fitting tolerance range	4 - 6 mm
Standard lengths	2100, 2400, 3000 mm



athmer



Schall-Ex®
L-15/30 EK

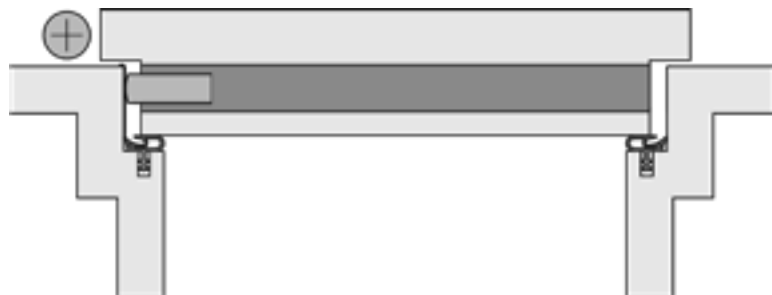
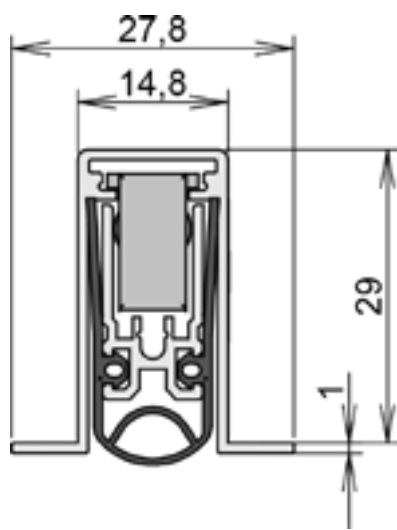


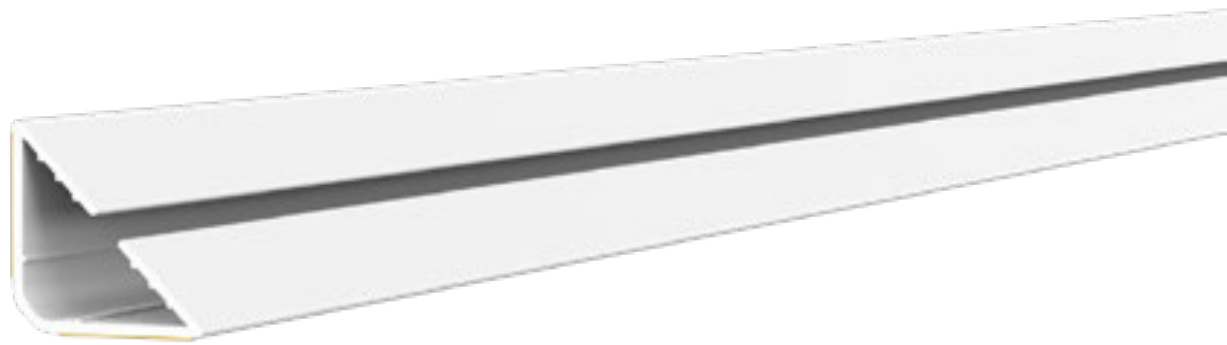
Schall-Ex® L-8/30 WS
Art.Nr. 1-1000

- for the 2nd sealing level of highly sound-insulating doors
- parallel lowering
- no offset of the inner profile
- slide-out inner profile
- level compensation for uneven floors
- tool-free adjustment



TECHNICAL DRAWINGS





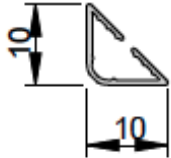
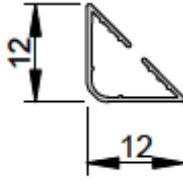
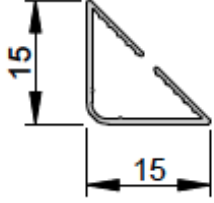
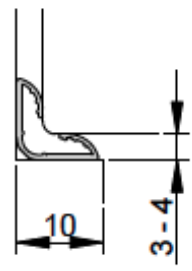
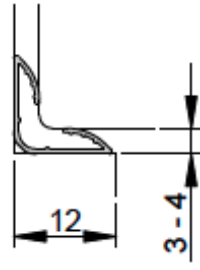
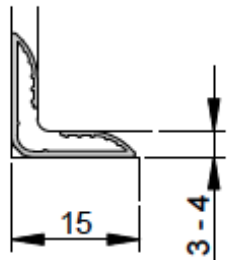
PS 1010 P



PS 1010 P

- winged corner seal
- equipped with two rows of durable
- self-adhesive backing tape
- suitable for sound insulation and for smoke
- sealing
- ensures soft closing of the door
- also suitable for retro-fit applications

TECHNICAL DRAWINGS

	PS 1010 P	PS 1212 P	PS 1515 P
Fitting tolerance range	3 - 4 mm	3 - 4 mm	3 - 4 mm
Width x height	10 x 10 mm	12 x 12 mm	15 x 15 mm
			
			

ONE-KEY WONDER

Unlock Simplicity:
One Master Key for Every Door,
including Aluminiums Doors

◆ **Unified Master Key System:**

Combines access for door and aluminum hardware from different suppliers into one key system.

◆ **Streamlined Security:**

Simplifies key management across various hardware types, enhancing overall security efficiency.

◆ **Future-Proof Design:**

The same master key system can be used for future projects, ensuring consistent access management.

◆ **Adaptable Solution:**

Tailored to meet the evolving needs of your projects, offering a seamless, long-term access solution.





SILENT PIVOT REVOLUTION

Reimagining Movement and
Silence in Door Hardware



◆ **Silent Door Maneuvering:**

Experience seamless and silent door movement with the "Silent Pivot Revolution" by Habitus Concept.

◆ **Advanced Pivot Systems:**

Featuring the sophistication of Frits Jurgens System M+, System One and System 3, and Konner Axon.

◆ **Innovative Pivot Technology:**

These innovative pivot systems offer an unmatched operational experience, equipped with the Konner Magnetix, a magnetic door stop designed specifically for heavy doors.

◆ **Seal Integration:**

The combination of Athmer Drop Seals at the top and bottom, alongside Magnetic Side Seals or 6mm Fin Seals, ensures flawless maneuvering every time.

FritsJurgens

System 3

Rotasi 360°, Self Close, Hold Open Setiap 90°, ideal untuk pintu partisi ruangan dengan berat max. 350 Kg



FritsJurgens

System One

Compact Pivot system, memungkinkan gerakan pintu dengan bebas. Berat max 500 Kg





athmer



WHISPER ENTRANCE SERIES

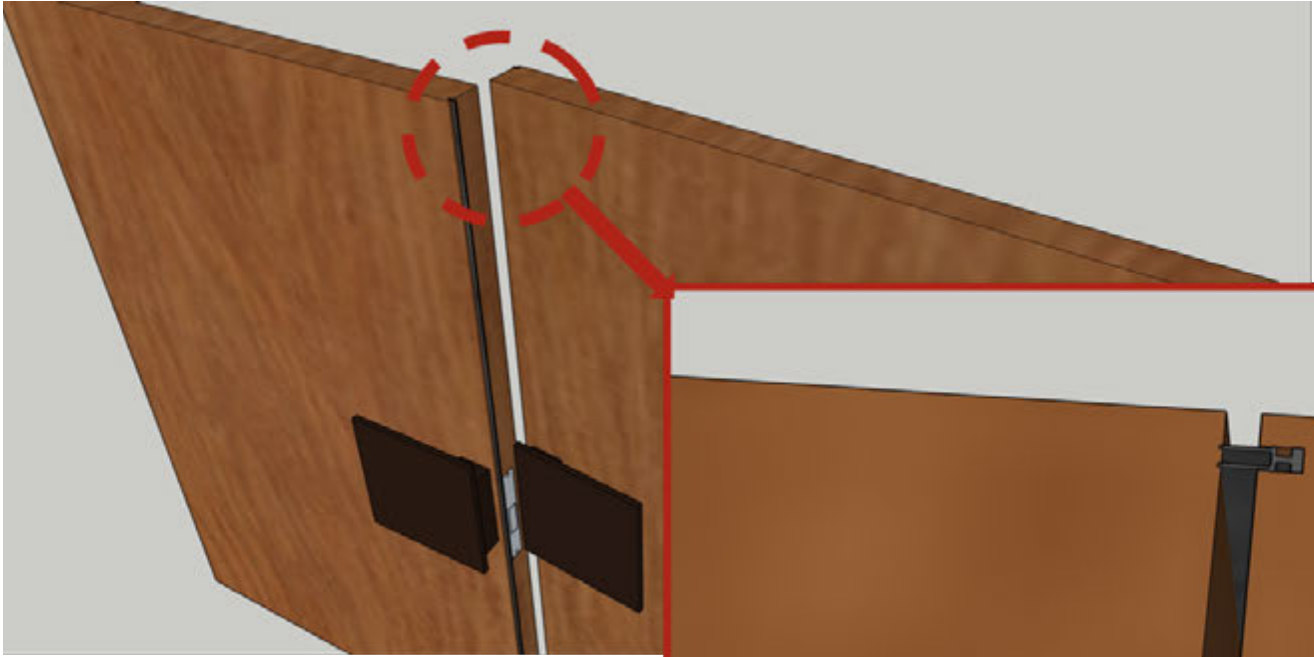
Double Door Senyap tanpa Suara

Ubahlah pintu masuk anda menjadi Pintu ketenangan dengan "Whisper Door Series" dari Habitus Concept.

Hilangkan Kebisingan yang mengganggu dari lidah pintu tradisional dan masuki dunia keheningan yang menenangkan.

Solusi inovatif kami menggunakan Fin Seal 6mm yang terletak di antara Double door, menawarkan penghalang kedap suara yang ramping dari dunia luar. "Whisper Door Series" lebih dari sekadar produk Campaign, ini adalah pengalaman yang mendefinisikan ulang suasana dan kenyamanan ruang Anda.





FIN SEAL 6MM



ESCUTCHEON ELEGANCE

Sedikit Sentuhan, Merubah Kesan Keseluruhan

Redefinisikan keanggunan dengan Campaign "Escutcheon Elegance" dari Habitus Concept. Melangkah lebih jauh dari CP15 konvensional,

Escutcheon ini bukan hanya "hardware", mereka adalah Penerapan dari gaya dan kecanggihan.

Setiap bagian dirancang untuk meningkatkan daya tarik estetika pintu Anda, berbaaur dengan mulus ke dalam dekorasi rumah anda sambil menyediakan fungsionalitas yang tak tertandingi.

THANK
YOU

